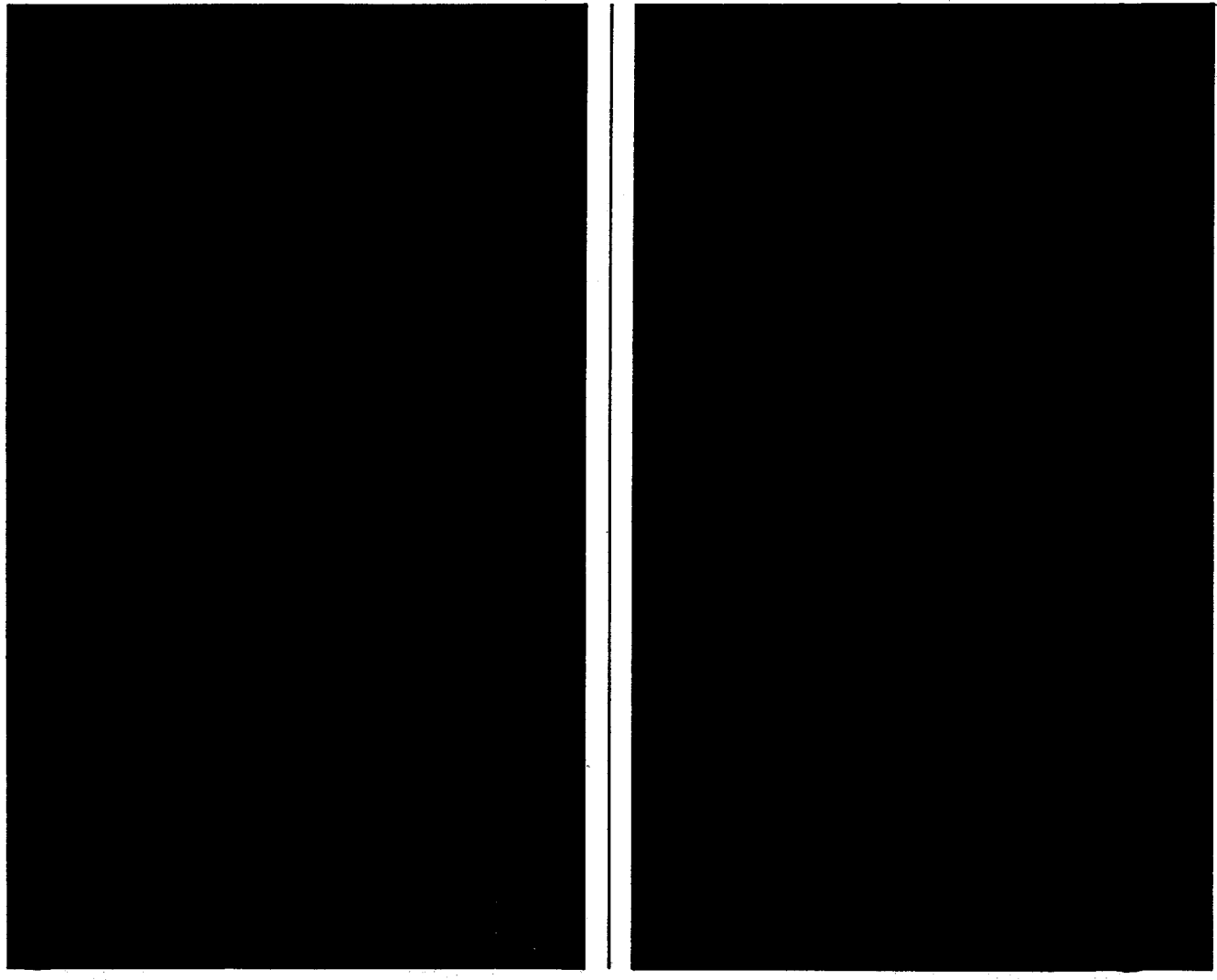


Price \$6.00

Service Manual Integrated Stereo Amplifiers

430A/410A



 **SCOTT**[®]
The Name to listen to.

CONTENTS

Specifications	3
Block Diagram	4
Circuit Description	5
Adjustment	6
Schematic Diagram	7
Parts Location Diagram	9
Exploded View	10
Replacement Parts List	12

CAUTION NOTICE

The following safety precautions must be followed to assure continued reliability and safety against fire and shock hazard:

1. Replacement parts used during servicing of this appliance must have identical characteristics as those offered and recommended by H. H. Scott, Inc.
 2. A dielectric test is to be performed on each appliance following the re-assembly and before returning the unit to the customer.
 3. The dielectric test to be performed on H. H. Scott, Inc. electric components serviced in the United States and Canada for use in these countries shall consist of not less than the following: *
 - 1) A dielectric tester designed to supply not less than 1100 volts at 60Hz and employing leakage current indicator(s), is to be used.
 - 2) The tester is to be connected per the instructions enclosed with the instrument, or as follows:
 - a. The tester is connected to the power line receptacle and the power switch is turned on.
 - b. Sufficient time is allowed for the tester supply to stabilize and then the output voltage is adjusted for 1080V.
 - c. Leads of the tester, usually marked GND and HV, are connected between chassis ground and both blades of the male plug of the power cord.
 - d. Switch tester to "test" and observe leakage indicator. Leakage current must not exceed 0.5mA.
- * Dielectric tests made by service personnel in countries other than USA and Canada must use test equipment and procedures specified by the safety agency serving that country.

SPECIFICATIONS 430A (410A)

Minimum Continuous RMS Output Power per channel, both channels driven into 8 Ohms from 20 Hz – 20 kHz with no more than rated THD
45 watts (30 watts)

Total Harmonic Distortion [78 IHF rated, at 20 Hz – 20 kHz]
0.08% (0.1%)

Intermodulation Distortion [at rated output, 60:7000Hz; 4:1]
0.08% (0.1%)

Frequency Response [at 1 watt output, ± 1 dB]
20 Hz to 20 kHz

Power Bandwidth [at -3 dB]
10 Hz to 30 kHz (15 Hz to 30 kHz)

Damping Factor [at 1 kHz, for 8 Ohm load]
> 40

Input Sensitivity [for rated output]
Phono: 2.5mV
Aux, Tuner: 150mV
Tape 1 and 2: 150mV
Tape 2 DIN Input: 150mV

Maximum Input Voltage
Phono: 150mV
Aux, Tuner: 10V
Tape 1 and 2: 10V
Tape 2 DIN Input: 10V

Signal-to-Noise Ratio [shorted input, IHF A network]
Phono, Ref. 10mV: 85dB
Aux, Tuner: 90dB
Tape 1 and 2: 90dB
Tape 2 DIN input: 90dB

Tone Control Range
Bass (100 Hz): ± 10 dB
Treble (10 kHz): ± 10 dB

Loudness Contour [Volume Control set to -30 dB]
100 Hz: +7dB
10 kHz: +3.5dB

Crosstalk

1kHz: 75dB

Channel Balance [maximum Volume Control]
0.5dB (0.7dB)

RIAA Tolerance [78 RIAA rated, 20 Hz to 20 kHz]
 ± 0.7 dB

Channel Separation [78 IHF rated]

Phono (1 kHz): 60dB (55dB)

Aux, Tuner, Accessory Input, Tape 1 and 2,
Tape 2 DIN Input (1 kHz): 60dB

Tape Recording Output Level [at rated input sensitivity level]

Tape 1 Rec: 150mV

Tape 2 Rec: 150mV

Tape 2 DIN Output: 30mV

AC Power Requirement*

220V 50Hz

Power Consumption

370W (250W)

Dimensions

17-3/4"W, 5-1/4"H, 11-3/4"D (17-3/4", 5-1/4", 8-1/2")
430W, 132H, 300D (430, 132, 217) mm

Net Weight

18.9 lbs (15.5 lbs)

8.5 kg (7.0 kgs)

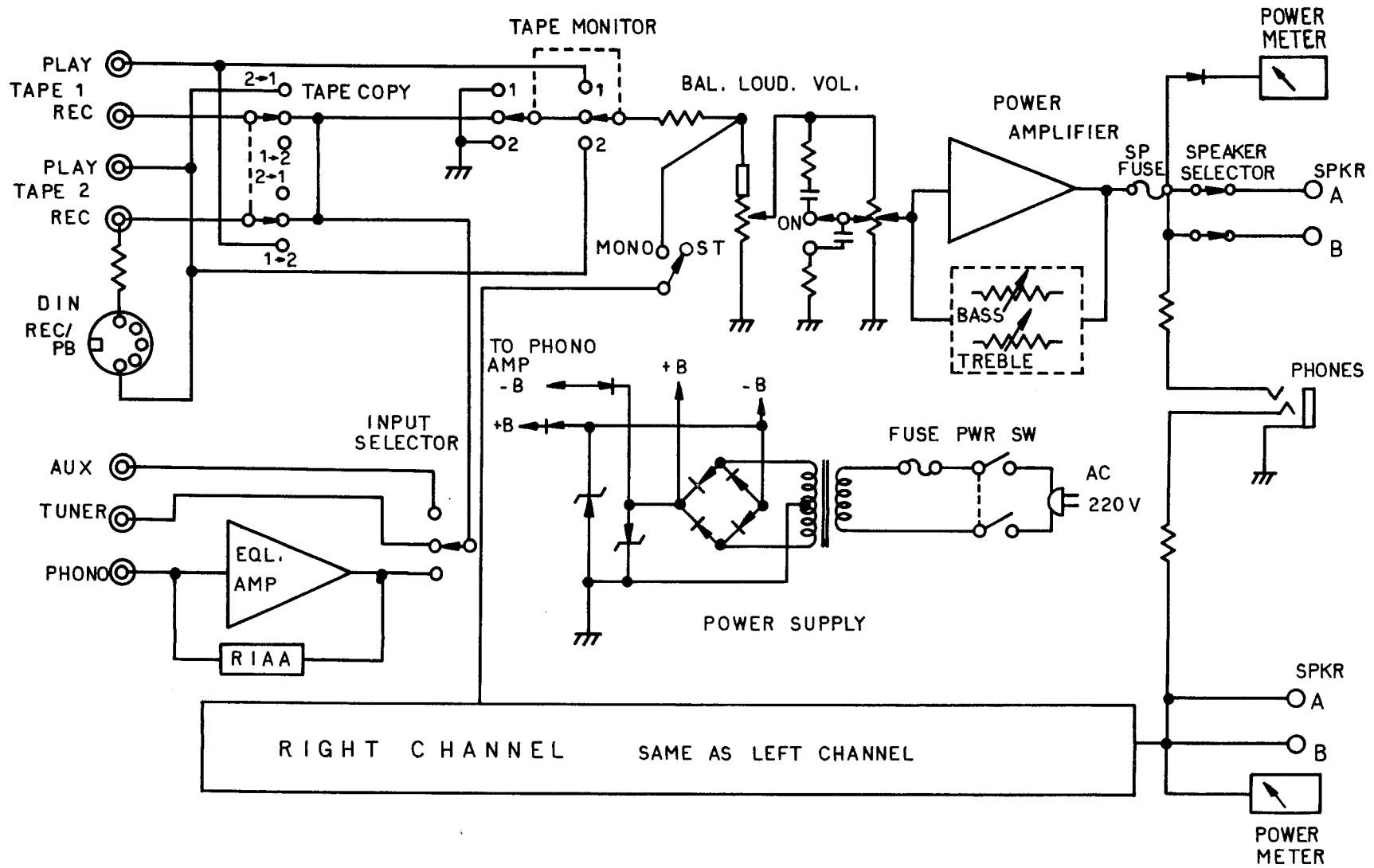
* AC Power:

Units for Great Britain: 240V, 50Hz

Units for USA and Canada: 120V, 60Hz

Class 2, double isolation system employed

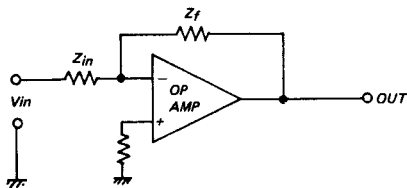
BLOCK DIAGRAM



CIRCUIT DESCRIPTION

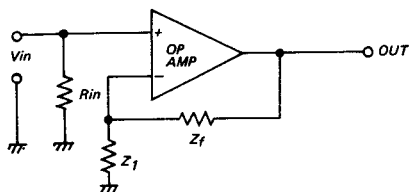
Design Philosophy on 430A and 410A

When using a high gain wide band open loop operational amplifiers, it is possible to design a passive network providing a negative feedback to control the amplifier gain and frequency response. In fact it makes easy the reproduction and repetitivity of the wanted results. We can define the gain of such an amplifier as follows.



$$1) V_o = -V_{in} \cdot \frac{Z_f}{Z_{in}} \quad (\text{Inverting Amp.})$$

$$2) R_{in} = Z_{in}$$



$$3) V_o = V_{in} \cdot 1 + \frac{Z_f}{Z_1} \quad (\text{Non Inverting})$$

$$Z_{inc} \cong R_{in} // \frac{Z_{inO} \cdot G_{openloop}}{G_{closedloop}}$$

Where R_{in} is the input load resistor. Z_{in} is the open loop input impedance multiplied by open loop gain divided by closed loop gain.

Example: If open loop gain is 10,000 (i.e) 80dB and the closed loop gain is 100 (i.e) 40dB. For an amplifier having $Z_{inO} = 10K$ ohm, the equivalent $Z_{inc} = R_{in} // 1000K$ ohm.

Phono Equalizer: The phono non inverting amplifier equalizer consists of an operational amplifier with a feedback network to fulfil the RIAA equalizing requirements.

$$Z_f = R_8 // X_{c6} + R_{10} // X_{c8}$$

$$Z_1 = R_{12} + X_{c12}$$

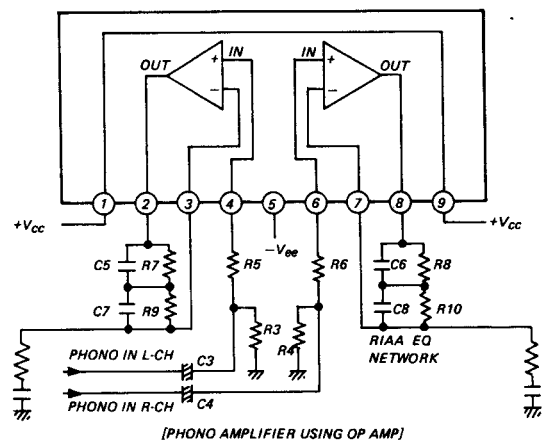
$$\text{where } X_c = \frac{1}{2\pi f \cdot c} = \frac{1}{6.28 f \cdot c}$$

f = frequency

c = capacitance in Farads

R = Resistance in Ohms

The above network provides a gain of 60 at 1kHz and a gain variation as function to the value of Z_f and Z_1 at any given frequency. For example at 100Hz the gain is 265 or +12.9dB referred to 1kHz gain, at 10kHz gain is about 13 or -13.7dB referred to 1kHz gain.



Preamplifier

The premain amplifier is an operational amplifier built by discrete components. It is directly coupled to the load (i.e speakers). The high gain open loop is provided by the dual differential amplifiers and the bootstrap capacitor. The complementary output drivers/buffers provide a symmetrical output drive.

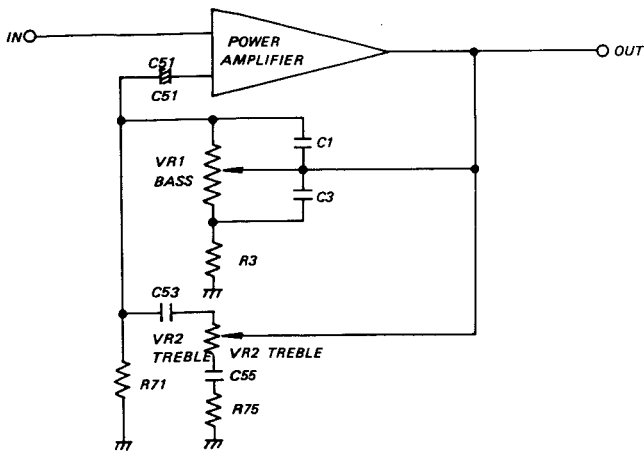
The amplifier is controlled by multiple feedback networks: DC feedback ($R_{93} + R_{95}$) on one channel ($R_{94} + R_{96}$) on the other are directly coupled between output and negative input. The effect of the DC feedback is for longterm stability and unity DC gain. The effect of this feedback is minor at frequencies over 5Hz. The multipole AC feedback network (with the bass and treble potentiometers incorporated) provides a constant gain with no effective gain variations of tone potentiometers. At 100Hz the bass potentiometer allows gain control of ± 10 dB. At 10,000Hz the treble potentiometer allows gain control of ± 10 dB. The amplifier has a current limit network that limits excessive current loading. A fuse is provided to prevent damage to speakers if the amplifier fails.

Tone Control

The tone control is a negative feedback type which uses the power amplifier stage as the active element. That is, the gain of the power amplifier stage is controlled by the tone controls circuitry. At 1kHz, the position of the tone controls has little effect on the gain, as C_{53} impedance is high, removing VR_2 from the circuit, and C_1, C_3 impedance is low, effectively short circuiting VR_1 .

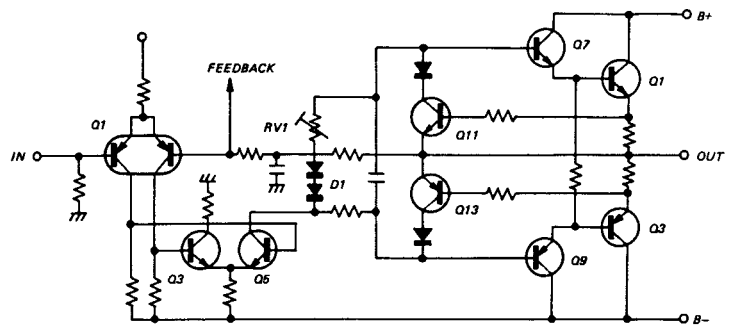
Bass Control: As the frequency decreases below 1kHz, the impedance of C_1 and C_3 increases proportionately. Thus at very low frequencies, the gain is mainly determined by the position of the bass control VR_1 . Rotating VR_1 toward R_3 will boost the low frequencies, while turning it towards C_4 will cut the bass.

Treble Control: At high frequencies, as at 1kHz, VR_1 is effectively short circuited. At these frequencies, however C_{53} and C_{55} impedance decreases, so that VR_2 becomes the main control of the amplifier gain. Rotating VR_2 towards C_{53} cuts the treble response.



Power Amplifier

This circuit is an OCL, pure complementary amplifier. The input stage consists of two differential amplifiers (Q1 and Q3/Q5). The first differential amplifier (Q1) is a matched transistor pair in one package providing excellent common mode rejection and low DC offset. Q5 acts as the voltage amplifier providing voltage swing to nearly full plus and minus supply. Current gain is then provided by the fully complementary Darlington pairs of Q7 and Q1 (Power transistor) for the positive swing, Q9 and Q3 (Power transistor) for the negative swing. The output stage bias is set by the double diode D1 and RV1. As previously described, amplifier gain is set by tone control circuitry. The driver and output stage is protected from short circuit and overload by transistors Q11 and Q13, which short out the driving signal when current through the output transistor reaches an excessive level.



Power Supply

The main power supply consists of a full wave bridge rectifier and two 6800 μ F capacitors. The B+ and B- regulators (zeners, D31 & D32) supply stabilized voltage for the low level circuitry.

Unwanted transients are eliminated by circuitry consisting of Q16 which performs a muting function when the unit is switched ON or OFF.

The base bias of Q16 is given by two different circuits; one normal positive line voltage circuit having a large time constant, and another negative supply voltage circuit having a small time constant (C63/R84). At turn on, the negative voltage is immediately supplied to the base of Q16 because of its smaller time constant, and this makes Q16 cut off. Then C61 is gradually charged up by the normal positive power line voltage and when the charged level is reached to a proper level, the power line switching transistor Q15 is turned on and supplies the power to the differential amplifiers. At turn off, the negative base supply voltage to the Q16 is immediately decreased to zero because of its small time constant, then the base bias is supplied from the positive power line voltage only, and Q16 is turned on immediately, resulting in shorting the Q15 base to the ground and eliminating the supply for the differential amplifiers, stopping amplifier operation immediately.

ADJUSTMENT

Equipment Required

Audio signal generator
DC voltmeter
Speaker load resistors, 8 Ohms, 100W
Digital voltmeter

The following adjustments are the same for both left and right channels.

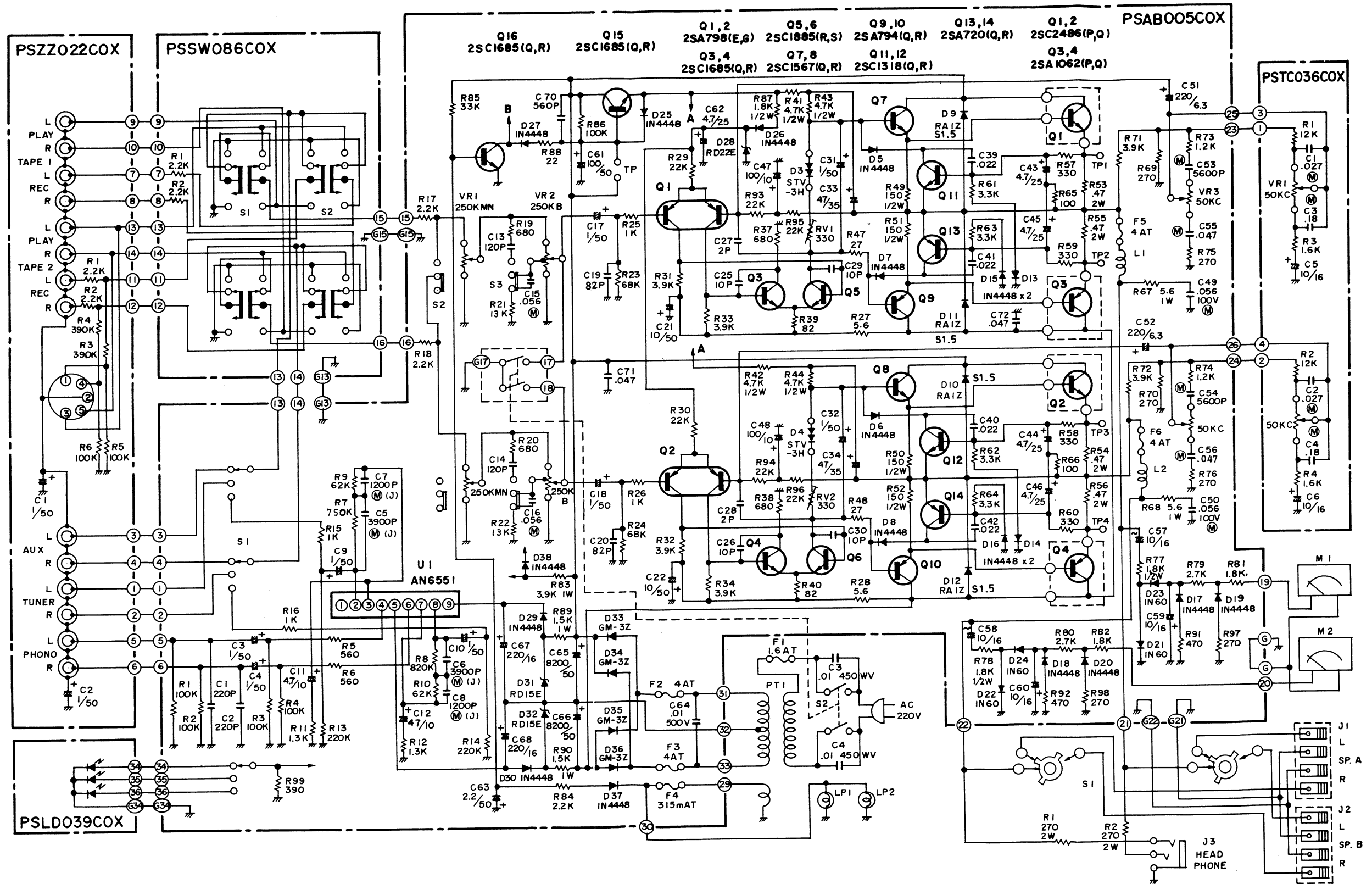
Bias Adjustment

- 1) Connect 8 Ohm resistors to the speaker "A" terminals, and set the Speaker Mode switch to "A" position.
- 2) Turn the Volume control fully counter-clockwise.

- 3) Turn RV1 fully counter-clockwise.
- 4) Set digital voltmeter to most sensitive voltage range. Connect probes across TP1 and TP2 (Voltmeter bias test point, L channel). Turn unit on. Let it idle for 10 seconds. Adjust RV1 for 40mV across the resistors.
- 5) Perform the same procedure for the right channel, except measure voltage across TP 3 and TP4 (Voltmeter bias test point, R channel). Adjustment is made with RV2.
- 6) Leave the amplifier on for about 30 minutes, then recheck measurement. A tolerance of $\pm 25\%$ is acceptable. Readjust if necessary.

SCHEMATIC DIAGRAM: 430A

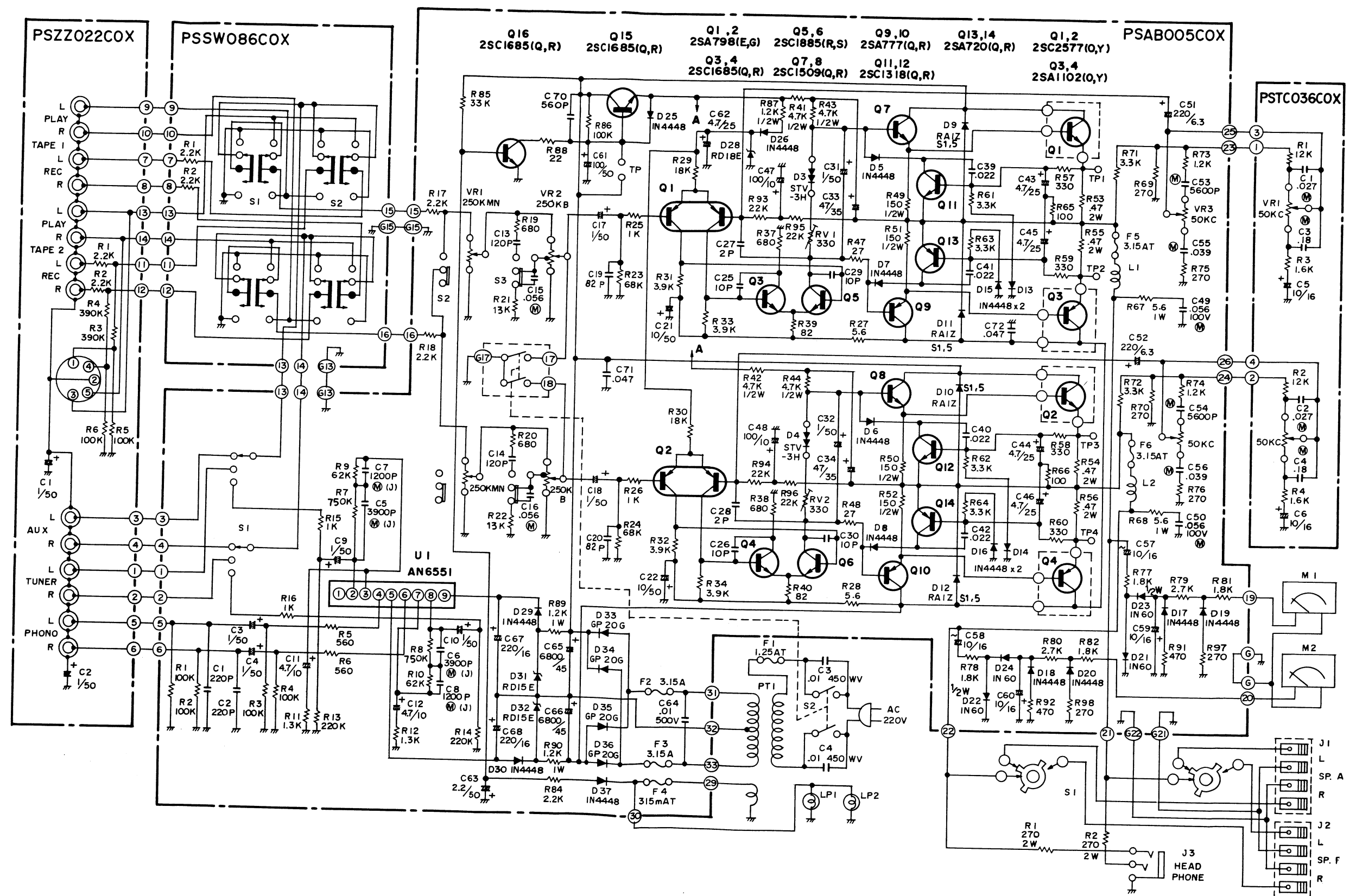
Q1,Q2	2SA798
Q3,Q4	2SC1685
Q5,Q6	2SC1885
Q7,Q8	2SC1567
Q9,Q10	2SA794
Q11,Q12	2SC1318
Q13,Q14	2SA720
Q15,Q16	2SC1685
U1	AN6551
Power Transistors	
Q1,Q2	2SC2486
Q3,Q4	2SA1062
Diodes	
1N4448, 1N60, RD22EC, RD15E	
STV-3H	
GM-3Z	
RA1Z	



NOTE: CAPACITOR'S VALUES ARE IN μF UNLESS OTHERWISE NOTED, P=PICO FARAD.
RESISTOR'S VALUES ARE IN OHM, K=K OHM.

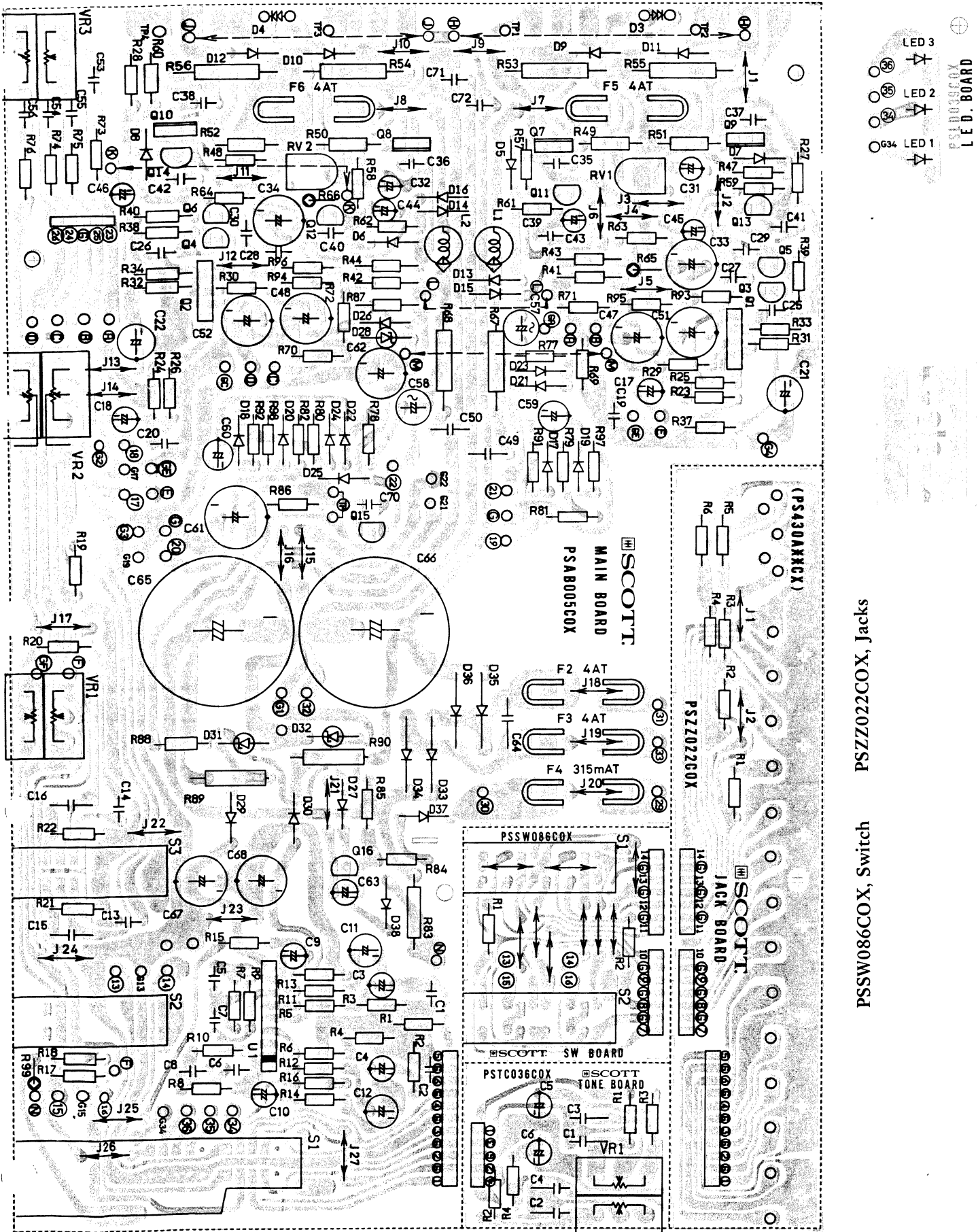
SCHEMATIC DIAGRAM: 410A

Q1,Q2	2SA798
Q3,Q4	2SC1685
Q5,Q6	2SC1885
Q7,Q8	2SC1509
Q9,Q10	2SA777
Q11,Q12	2SC1318
Q13,Q14	2SA720
Q15,Q16	2SC1685
U1	AN6551
Power Transistors	
Q1,Q2	2SC2577
Q3,Q4	2SA1102
Diodes	
1N4448, 1N60	
RD18EC, RD15E	
STV-3H	
GP20G	
RA1Z	



NOTE: CAPACITOR'S VALUES ARE IN μF UNLESS OTHERWISE NOTED, P=PICO FARAD.
RESISTOR'S VALUES ARE IN OHM, K=K OHM.

PARTS LOCATION DIAGRAM: 430A/410A



PSAB005COX, Main P.C. Board

PSTC036COX, Tone

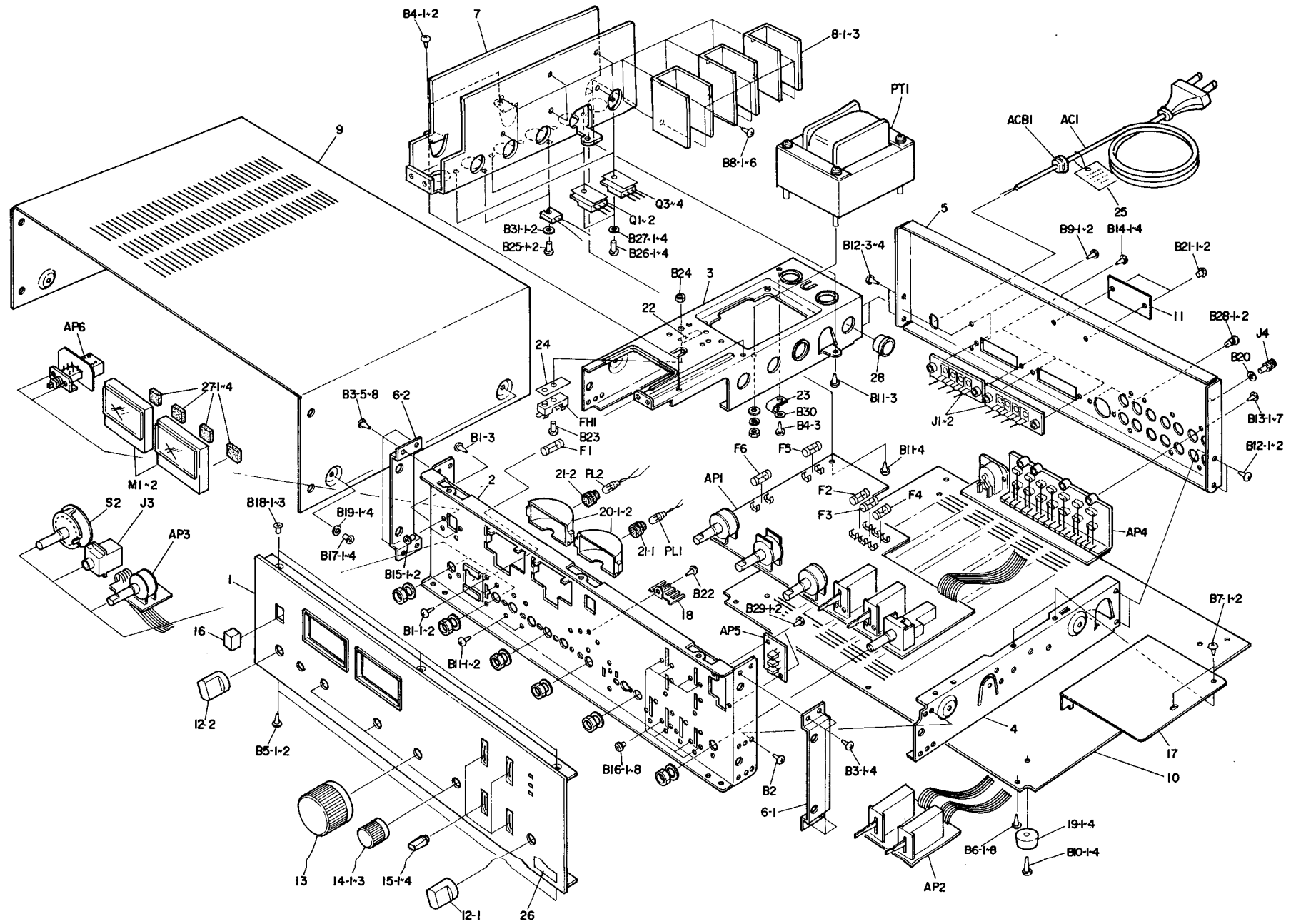
PSSW086COX, Switch

PSZ022COX, Jacks

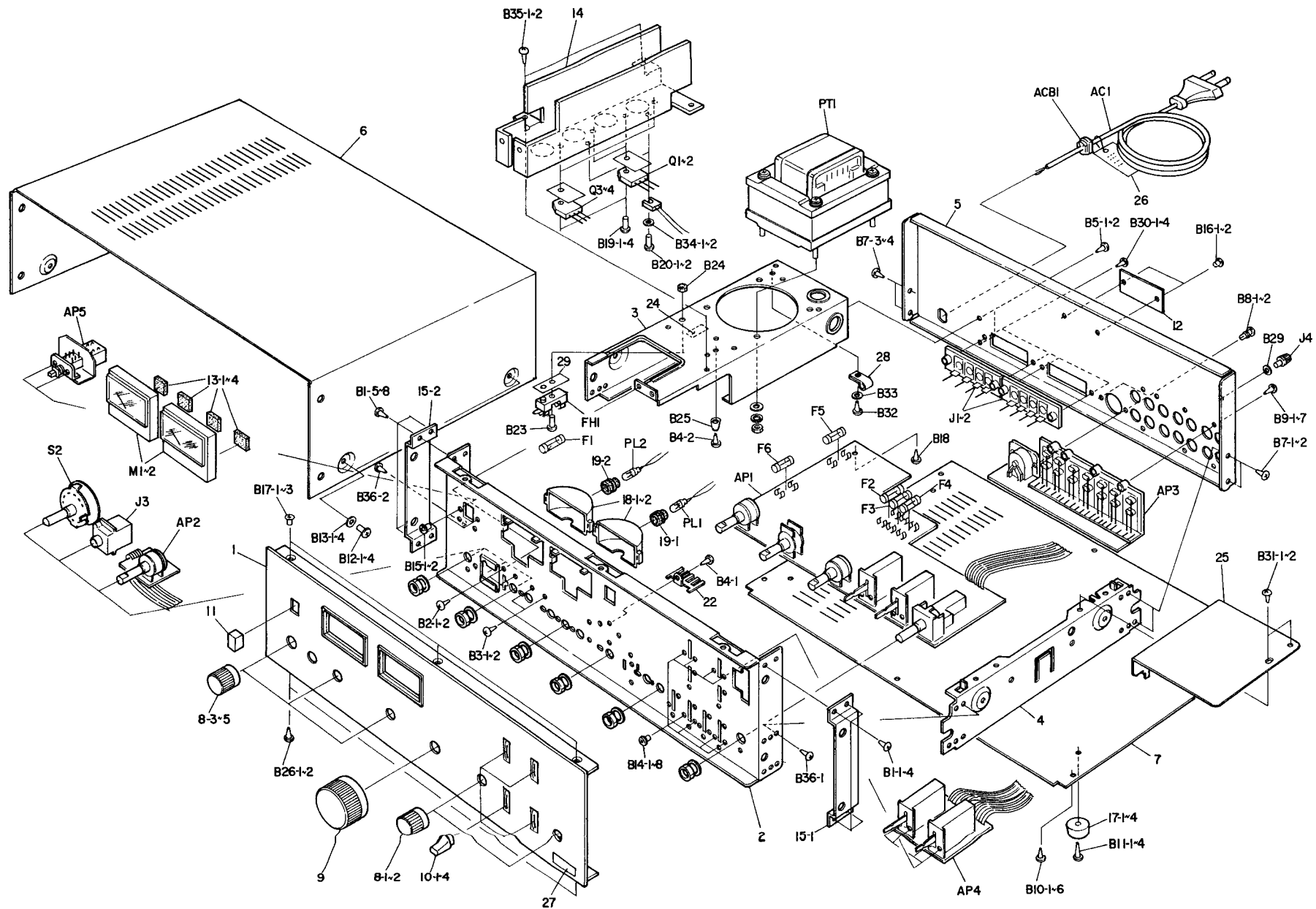
PSSW088COX, Switch

PSLD039COX, LED (430A Only)

EXPLODED VIEW: 430A



EXPLODED VIEW: 410A



REPLACEMENT PARTS LIST: 430A

EXPLODED ASSEMBLY	PART NAME ELEC. ELEMENTS	PART CODE AAB3RAESC11	STOCK NO.						
REMARKS	PART CODE	PART STOCK NUMBER	PART NAME	SPECIFICATIONS	SYMBOLIC OR EXPLODED VIEW NO.				QTY USED
1	ACAC035FFA		AC CORD ASSY		AC1				1
2	APSL0039AA		P.W.BOARD ASSY.						1
3	AP554088AA		P.W.BOARD ASSY.						1
4	AP5430A*E1		P.W.BOARD ASSY.						1
5	CEAG010ALX		ELYT. CAPACITOR	1MFD 50V	C1	C2			2
6	CNST103MAN		OIL PAPER CAP.		C3	C4			2
7	G430A*F402		WIRES KIT						1
8	QTA1062XAN		TRANSISTOR	2SA1062 P.Q-RANK	Q3	Q4			2
9	QTC2486XAN		TRANSISTOR	2SC2486 P.Q-RANK	Q1	Q2			2
10	RG2ANJ2718		M-OXIDE FILM R.	2W 270 OHM 5%	R1	R2			2
11	SRJ204107T		ROTARY SWITCH		S2				1
12	TPB835001Y		PWR. TRANSFORMER		PT1				1
13	VM270NB004		BUSHING		ACR1				1
14	VX432VL002		C-COVER		Z71	Z72			2
15	YHF1P2001Z		FUSE HOLDER		FH1				1
16	YJS035016Z		PHONE JACK		J3				1
17	YTD015002U		TERMINAL		J4				1
18	YTS045007U		TERMINAL		J1	J2			2
19	ZFRQ16201A		FUSE		F1				1
20	ZFRQ32101A		FUSE		F4				1
21	ZFRQ40203A		FUSE		F2	F3	F5	F6	4
22	ZMD2050K01		METER 78A70R		M1	M2			2
23	ZPA148103U		LAMP		LP1	LP2			2

EXPLODED ASSEMBLY	PART NAME MECH. ELEMENTS	PART CODE AAB3RAESC12	STOCK NO.						
REMARKS	PART CODE	PART STOCK NUMBER	PART NAME	SPECIFICATIONS	SYMBOLIC OR EXPLODED VIEW NO.				QTY USED
1	AM430A*01		ESCUTCHEON ASSY		1				1
2	RNHCL30NBN		NUT	M3, BS-NI, THIN-TYPE	B24				1
3	RRP3055QNB		PAN HEAD RIVET		B28-1	B28-2			2
4	RRU2455XAJ		THIN HD RIVET	2.4 X 5.5 ALUMINUM	B21-1	B21-2			2
5	RSPB3009NN		BIND HEAD SCREW	(+)BIT, M3 X 8 S-NI	B25-1	B25-2			2
6	RSPB5010NB		BIND HEAD SCREW	(+)BIT, M5 X 10 S-BLACK	B17-1	B17-2	B17-3	B17-4	4
7	RSPC3006NZ		CEMS SCREW	(+)BIT, M3 X 6 S-ZNCR	B15-1	B15-2	B16-1	B16-2	10
8					B16-3	B16-4	B16-5	B16-6	
9					B16-7	B16-8			
10	RSPC3010NZ		CEMS SCREW	(+)BIT, M3 X 10 S-ZNCR	B26-1	B26-2	B26-3	B26-4	4
11	RSPP3010NP		PAN HEAD SCREW	(+)BIT, M3 X 10 PLASTIC	B23				1
12	RTPL3008BB		NAIL TAP SCREW	(+)BIT, M3 X 8 S-BLACK	B12-1	B12-2	B12-3	B12-4	4
13	RTPP3008AB		PAN TAP SCREW	(+)BIT, M3 X 8 S-BLACK	B13-1	B13-2	B13-3	B13-4	11
14					B13-5	B13-6	B13-7	B14-1	
15					B14-2	B14-3	B14-4		
16	RTPS3008TZ		FLAT TAP SCREW	(+)BIT, M3 X 8 S-ZNCR (TAP TITE)	B18-1	B18-2	B18-3		3
17	RTPW3008RB		BRAS. TAP SCREW	(+)BIT, M3 X 8 S-BLACK	B9-1	B9-2			2
18	BTPW3008RJ		BRAS. TAP SCREW		B22				1
19	BTPW3008RZ		BRAS. TAP SCREW	(+)BIT, M3 X 8 S-ZNCR	B1-1~3	B4-1~3	B5-1~2	B7	29
20					B29-1	B29-2	B3-1~8	B6-1	

EXPLODED ASSEMBLY		PART NAME		PART CODE		STOCK NO.				
I E M	REMARKS	MECH. ELEMENTS		AAB38AFSC12						
		PART CODE	PART, STOCK NUMBER	PART NAME	SPECIFICATIONS	SYMBOLIC OR EXPLODED VIEW NO.		QTY USED		
1						86-2	86-3	86-4	86-5	
2						86-6	86-7	86-8	87-1	
3						87-2				
4		BTPW3010A2		BRAS. TAP SCREW	(+)RIT, M3 X 10 S-ZNCR	811-1	811-2	811-3	811-4	10
5						88-1	88-2	88-3	88-4	
6						88-5	88-6			
7		BTPW3010B2		BRAS. TAP SCREW	(+)RIT, M3 X 10 S-ZNCR	810-1	810-2	810-3	810-4	4
8		RWM30A08SN		FLAT L. WASHER	FLAT LARGE, 3 M/M S-NI	820	830			2
9		RWM30705SN		FLAT L. WASHER	FLAT LARGE, 3 M/M S-NI	827-1	827-2	827-3	827-4	6
10						831-1	831-2			
11		RWM50C085B		FLAT L. WASHER	FLAT LARGE, 5 M/M S-BLACK	819-1	819-2	819-3	819-4	4
12		MR9725E067		REAR PANEL		5				1
13		MR9725L007		FRONT PANEL		2				1
14		MC371S2002		BRACKET		6-1	6-2			2
15		MC865S1002		CHASSIS		3				1
16		ML331S001		TERMINAL		18				1
17		ML765S1002		SHIELD		17				1
18		MN276XA020		KNOB		14-1	14-2	14-3		3
19		MN376AA019		KNOB RS		12-1	12-2			2
20		MN386XA024		KNOB		13				1
21		MS986S1004		BOTTOM PLATE		10				1
22		MU653AX001		HEAT SINK		8-1	8-2	8-3		3
23		MUR525L003		SIDE BRACKET R		4				1

EXPLODED ASSEMBLY		PART NAME		PART CODE		STOCK NO.				
I E M	REMARKS	MECH. ELEMENTS		AAB38AFSC12						
		PART CODE	PART, STOCK NUMBER	PART NAME	SPECIFICATIONS	SYMBOLIC OR EXPLODED VIEW NO.		QTY USED		
1		MUB754D001		HEAT SINK		7				1
2		MUB97SX021		COVER		9				1
3		MVL635GF01		SER. NO. PLATE		11				1
4		VR5324W001		LAMP HOUSE		20-1	20-2			2
5		VF177FR001		BUSHING		28				1
6		VMI65RX003		HOLDER		21-1	21-2			2
7		VM280FB001		FOOT		19-1	19-2	19-3	19-4	4
8		VN220SX001		POW KNOB		16				1
9		VN360SX001		KNOB		15-1	15-2	15-3	15-4	4
10		VS227RB001		SHEET		27-1	27-2	27-3	27-4	4
11		VS325VN001		BARRIER		24				1
12		VS417NN003		CLAMPER.		23				1
13		VVL311GF54		FUSE LABEL		22				1

EXPLODED ASSEMBLY		PART NAME		PART CODE		STOCK NO.				
I E M	REMARKS	ESCUTCHEON ASSY		AM430A**01						
		PART CODE	PART, STOCK NUMBER	PART NAME	SPECIFICATIONS	SYMBOLIC OR EXPLODED VIEW NO.		QTY USED		
1		ME97FAA104		ESCUTCHEON		1A				1
2		VK132SX004		BUSH LEVER		1C-1	1C-2			2
3		VK132SX007		BUSH		1D-1	1D-2			2
4		VK133SX001		BUSH POWER		1E				1
5		VK165SX004		METER FRAME		1B-1	1B-2			2
6										
7										

EXPLODED ASSEMBLY	PART NAME		PART CODE	STOCK NO.	REMARKS	PART CODE	PART, STOCK NUMBER	PART NAME	SPECIFICATIONS	SYMBOLIC OR EXPLODED VIEW NO.				QTY USED
	P.W. BOARD ASSY.	APSA8005ED								C13	C14	C25	C26	
1		CCFB121K0T						CERAMIC CAP.	120PF 50V -10, +10% SL	C13	C14			2
2		CCFB221K0T						CERAMIC CAP.	220PF 50V -10, +10% SL	C1	C2			2
3		CCGB10000T						CERAMIC CAP.	SL 10PF 50V -0.5, +0.5PF	C25	C26	C29	C30	4
4		CCGB820K0T						CERAMIC CAP.	82PF 50V -10, +10% SL	C19	C20			2
5		CEAB221ALX						FLYT. CAPACITOR	220MFD 6.3V	C51	C52			2
6		CEAD100NLX						FLYT. CAPACITOR		C57	C58			2
7		CEAD221ALX						FLYT. CAPACITOR	220MFD 16V	C67	C68			2
8		CFAE470ALX						FLYT. CAPACITOR	47MFD 25V	C62				1
9		CEAF470ALX						FLYT. CAPACITOR	47MFD 35V	C33	C34			2
10		CFAG101ALX						FLYT. CAPACITOR	100MFD 50V	C61				1
11		CFQ1G82202						FLYT. CAPACITOR		C65	C66			2
12		CEVC101ALX						FLYT. CAPACITOR		C47	C48			2
13		CEVC470ALX						FLYT. CAPACITOR		C11	C12			2
14		CEVD100ALX						FLYT. CAPACITOR		C59	C60			2
15		CEVE4R7ALX						FLYT. CAPACITOR		C43	C44	C45	C46	4
16		CEVG010ALX						FLYT. CAPACITOR		C10	C17	C18	C3	8
17										C31	C32	C4	C9	
18		CEVG100ALX						FLYT. CAPACITOR		C21	C22			2
19		CEVG2R2ALX						FLYT. CAPACITOR		C63				1
20		CKOF103PEM						CERAMIC CAP.	0.01MFD 500V -0, +100% E	C64				1
21		CKFB223ZFT						CERAMIC CAP.	0.022MFD 50V -20, +80% F	C39	C40	C41	C42	4
22		CKFB473ZFT						CERAMIC CAP.	0.047MFD 50V -20, +80% F	C71	C72			2
23		CKGR561KBT						CERAMIC CAP.	560PF 50V -10, +10% B	C70				1

EXPLODED ASSEMBLY	PART NAME		PART CODE	STOCK NO.	REMARKS	PART CODE	PART, STOCK NUMBER	PART NAME	SPECIFICATIONS	SYMBOLIC OR EXPLODED VIEW NO.				QTY USED
	P.W. BOARD ASSY.	APSA8005ED								C7	C8	C5	C6	
1		CQMB122JEH						MYLAR CAPACITOR	1200PF 50V -5, +5%	C7	C8			2
2		CQMB392JEH						MYLAR CAPACITOR	3900PF 50V -5, +5%	C5	C6			2
3		CQMB473KTH						MYLAR CAPACITOR	0.047MFD 50V -10, +10%	C55	C56			2
4		CQMB562KTH						MYLAR CAPACITOR	5600PF 50V -10, +10%	C53	C54			2
5		CQMR563KTH						MYLAR CAPACITOR	0.056MFD 50V -10, +10%	C15	C16			2
6		CQMC563KEH						MYLAR CAPACITOR		C49	C50			2
7		LA3LE1024A						CHOKE COIL		L1	L2			2
8		MW201BS001						TERMINAL						25
9		MW401CX006						SHOT JAMPER						24
10		PSAB005C0X						PRINTED W. BOARD						1
11		PS430A**CX						PRINTED W. BOARD						1
12		QDGIN60XXT						GERMANIUM DIODE	NO-RANK	D21	D22	D23	D24	4
13		QDSGM3ZXXD						SILICON DIODE	GM32 NO-RANK	D33	D34	D35	D36	4
14		QDSN4448XZ						SILICON DIODE	1N4448 VRM=100V NO-RANK	D13	D14	D15	D16	19
15										D17	D18	D19	D20	
16										D25	D26	D27	D29	
17										D30	D37	D38	D5	
18										D6	D7	D8		
19		QDSRA1ZXXD						SILICON DIODE	RA1Z NO-RANK	D10	D11	D12	D9	4
20		QDZRD1SECA						ZENER DIODE	RD15F(C) VZ=14.7-16.5 C-RANK	D31	D32			2
21		QDZRD22ECA						ZENER DIODE	RD22EC VZ=22-24.5 C-RANK	D28				1
22		QQM06551BN						I.C.		U1				1
23		QT40720XBN						TRANSISTOR	2SA720 Q,R-RANK	Q13	Q14			2

EXPLODED ASSEMBLY	PART NAME		PART CODE	STOCK NO.	REMARKS	PART CODE	PART STOCK NUMBER	PART NAME	SPECIFICATIONS	SYMBOLIC OR EXPLODED VIEW NO.				QTY USED
	P.W. BOARD ASSY.	AP548005FD								Q10	Q9			
1		QTA0794XAN						TRANSISTOR		Q10	Q9			2
2		QTA0798XEF						TRANSISTOR	2SA798 F.G-RANK BREAK VOLTAGE=70V	Q1	Q2			2
3		QTC1318XDN						TRANSISTOR	2SC1318 Q.R-RANK	Q11	Q12			2
4		QTC1567XAN						TRANSISTOR		Q7	Q8			2
5		QTC1685XAN						TRANSISTOR	2SC1685 Q.R-RANK	Q15	Q16	Q3	Q4	4
6		QTC1885XAN						TRANSISTOR	2SC1885 R.S-RANK	Q5	Q6			2
7		QVESTV3HXD						VARIATOR	STV-3H O.Y-RANK (VF:1.60V-1.74V)	Q3	Q4			2
8		RD25PJ102X						CARBON FILM R.	0.25W 1K OHM 5%	R15	R16	R25	R26	4
9		RD25PJ104X						CARBON FILM R.	0.25W 100K OHM 5%	R1	R2	R3	R4	5
10										R86				
11		RD25PJ122X						CARBON FILM R.	0.25W 1.2K OHM 5%	R73	R74			2
12		RD25PJ132X						CARBON FILM R.	0.25W 1.3K OHM 5%	R11	R12			2
13		RD25PJ133X						CARBON FILM R.	0.25W 13K OHM 5%	R21	R22			2
14		RD25PJ182X						CARBON FILM R.	0.25W 1.8K OHM 5%	R81	R82			2
15		RD25PJ220X						CARBON FILM R.	0.25W 22 OHM 5%	R88				1
16		RD25PJ222X						CARBON FILM R.	0.25W 2.2K OHM 5%	R17	R18	R84		3
17		RD25PJ223X						CARBON FILM R.	0.25W 22K OHM 5%	R29	R30	R93	R94	6
18										R95	R96			
19		RD25PJ224X						CARBON FILM R.	0.25W 220K OHM 5%	R13	R14			2
20		RD25PJ271X						CARBON FILM R.	0.25W 270 OHM 5%	R69	R70	R75	R76	6
21										R97	R98			
22		RD25PJ272X						CARBON FILM R.	0.25W 2.7K OHM 5%	R79	R80			2
23		RD25PJ332X						CARBON FILM R.	0.25W 3.3K OHM 5%	R61	R62	R63	R64	4

EXPLODED ASSEMBLY	PART NAME		PART CODE	STOCK NO.	REMARKS	PART CODE	PART STOCK NUMBER	PART NAME	SPECIFICATIONS	SYMBOLIC OR EXPLODED VIEW NO.				QTY USED
	P.W. BOARD ASSY.	AP548005FD								R85				
1		RD25PJ333X						CARBON FILM R.	0.25W 33K OHM 5%	R85				1
2		RD25PJ392X						CARBON FILM R.	0.25W 3.9K OHM 5%	R31	R32	R33	R34	6
3										R71	R72			
4		RD25PJ471X						CARBON FILM R.	0.25W 470 OHM 5%	R91	R92			2
5		RD25PJ561X						CARBON FILM R.	0.25W 560 OHM 5%	R5	R6			2
6		RD25PJ623X						CARBON FILM R.	0.25W 62K OHM 5%	R10	R9			2
7		RD25PJ681X						CARBON FILM R.	0.25W 680 OHM 5%	R19	R20			2
8		RD25PJ683X						CARBON FILM R.	0.25W 68K OHM 5%	R23	R24			2
9		RD25PJ754X						CARBON FILM R.	0.25W 750K OHM 5%	R7	R8			2
10		RD25TJ270X						CARBON FILM R.	0.25W 27 OHM 5%	R47	R48			2
11		RD25TJ331X						CARBON FILM R.	0.25W 330 OHM 5%	R57	R58	R59	R60	4
12		RD25TJ5R6X						CARBON FILM R.	0.25W 5.6 OHM 5%	R27	R28			2
13		RD25TJ681X						CARBON FILM R.	0.25W 680 OHM 5%	R37	R38			2
14		RD25TJ820X						CARBON FILM R.	0.25W 82 OHM 5%	R39	R40			2
15		RD25VJ101X						CARBON FILM R.	0.25W 100 OHM 5%	R65	R66			2
16		RD25VJ391X						CARBON FILM R.	0.25W 390 OHM 5%	R99				1
17		RF02SKR47B						WIRE WOUND R.	2W 0.47 OHM 10%	R53	R54	R55	R56	4
18		RGHANJ151B						M-OXIDE FILM R.	1/2W 150 OHM 5%	R49	R50	R51	R52	4
19		RGHANJ182B						M-OXIDE FILM R.	1/2W 1.8K OHM 5%	R77	R78			2
20		RGHANJ472B						M-OXIDE FILM R.	1/2W 4.7K OHM 5%	R41	R42	R43	R44	4
21		RGHARJ182B						M-OXIDE FILM R.		R87				1
22		RG1ARJ152B						M-OXIDE FILM R.		R89	R90			2
23		RG1ARJ392B						M-OXIDE FILM R.		R83				1

EXPLODED ASSEMBLY	PART NAME		PART CODE	STOCK NO.	REMARKS	PART CODE	PART, STOCK NUMBER	PART NAME	SPECIFICATIONS	SYMBOLIC OR EXPLODED VIEW NO.				QTY USED
	P.W. BOARD ASSY.	AP5AR005ED												
1		RPJN833102						SEMI-FIXED VR.		RV1	RV2			2
2		RVQA254B05						VR.		VR2				1
3		RVQA254X04						VR.		VR1				1
4		RVQA503N02						VR.		VR3				1
5		RX1ARJ5R6B						M-OXIDE FILM R.		R67	R68			2
6		SH040305ZB						SLIDE, ROTARY SW		S1				1
7		SLO20226ZN						LEVER SWITCH		S2	S3			2
8		W5G916JJJJ						SHIELDED WIRE		N06				1
9		WTG014EFXX						SOLID WIRE		N010				1
10		WTG510EFXX						SOLID WIRE		N011				1
11		WTG608EFXX						SOLID WIRE		N012				1
12		WTG710EFXX						SOLID WIRE		N013				1
13		WTG815EFXX						SOLID WIRE		N014				1
14		WTH013FLXX						SOLID WIRE		N016	N017			2
15		WTH024FLXX						SOLID WIRE		N018				1
16		WTJ018EMXX						SOLID WIRE		N015				1
17		WTM909EFXX						SOLID WIRE		N09				1
18		WTM910EFXX						SOLID WIRE		N08				1
19		WWF217JXJJ						SHIELDED WIRE		N01				1
20		WWF413JXJJ						SHIELDED WIRE		N02				1
21		WWF518JXJJ						SHIELDED WIRE		N03				1
22		WWF618JXJJ						SHIELDED WIRE		N04				1
23		YHF0P0001Z						FUSE HOLDER		FH2-1	FH2-2	FH3-1	FH3-2	10

EXPLODED ASSEMBLY	PART NAME		PART CODE	STOCK NO.	REMARKS	PART CODE	PART, STOCK NUMBER	PART NAME	SPECIFICATIONS	SYMBOLIC OR EXPLODED VIEW NO.				QTY USED
	P.W. BOARD ASSY.	APSLD039AA												
1		PSLD039C0X						PRINTED W. BOARD						1
2		QL9LV217RN						L.E.D.	LN217RP RED	LED1	LED2	LED3		3
3		WTG017BKXX						SOLID WIRE		N01				1
4		WTG117BKXX						SOLID WIRE		N02				1
5		WTG217BKXX						SOLID WIRE		N03				1
6		WTG317BKXX						SOLID WIRE		N04				1
7														
8														
9														
10														

EXPLODED ASSEMBLY	PART NAME		PART CODE	STOCK NO.	REMARKS	PART CODE	PART, STOCK NUMBER	PART NAME	SPECIFICATIONS	SYMBOLIC OR EXPLODED VIEW NO.				QTY USED
	P.W. BOARD ASSY.	APSSW086AA												
1		MW401CX006						SHOT JAMPER						9
2		PSSW086C0X						PRINTED W. BOARD						1
3		RD25PJ222X						CARBON FILM R.	0.25W 2.2K OHM 5%	R1	R2			2
4		SLO403077N						LEVER SWITCH		S1	S2			2
5														
6														
7														
8														
9														
10														

EXPLODED ASSEMBLY	PART NAME	PART CODE	STOCK NO.			QTY USED
REMARKS	PART CODE	PART STOCK NUMBER	PART NAME	SPECIFICATIONS	SYMBOLIC OR EXPLODED VIEW NO.	
1	M554555002		SHIELD		SL1	1
2	P55W08800X		PRINTED W. BOARD			1
3	SP01AAS09A		PUSH SWITCH		S1	1

EXPLODED ASSEMBLY	PART NAME	PART CODE	STOCK NO.			QTY USED
REMARKS	PART CODE	PART STOCK NUMBER	PART NAME	SPECIFICATIONS	SYMBOLIC OR EXPLODED VIEW NO.	
1	KT430A*FCX		OWNER'S MANUAL			1
2	KW0001238X		WARRANTY CARD			1

EXPLODED ASSEMBLY	PART NAME	PART CODE	STOCK NO.			QTY USED
REMARKS	PART CODE	PART STOCK NUMBER	PART NAME	SPECIFICATIONS	SYMBOLIC OR EXPLODED VIEW NO.	
1	CEVD100ALX		FLYT. CAPACITOR		C5 C6	2
2	CQMB184KEH		MYLAR CAPACITOR	0.18MFD 50V -10, +10%	C3 C4	2
3	CQMB273KTH		MYLAR CAPACITOR	0.027MFD 50V -10, +10%	C1 C2	2
4	PSTC036C0X		PRINTED W. BOARD			1
5	RD25PJ123X		CARBON FILM R.	0.25W 12K OHM 5%	R1 R2	2
6	RD25PJ162X		CARBON FILM R.	0.25W 1.6K OHM 5%	R3 R4	2
7	RV0A503N02		VR.		VR1	1
8	Z720000122		PC JOINT		JU4	1
9						
10						

EXPLODED ASSEMBLY	PART NAME	PART CODE	STOCK NO.			QTY USED
REMARKS	PART CODE	PART STOCK NUMBER	PART NAME	SPECIFICATIONS	SYMBOLIC OR EXPLODED VIEW NO.	
1	MW401CX006		SHOT JAMPER			2
2	PSAZ022C0X		PRINTED W. BOARD			1
3	RD25PJ104X		CARBON FILM R.	0.25W 100K OHM 5%	R5 R6	2
4	RD25PJ222X		CARBON FILM R.	0.25W 2.2K OHM 5%	R1 R2	2
5	RD25PJ394X		CARBON FILM R.	0.25W 390K OHM 5%	R3 R4	2
6	YJ0055011Z		5P DIN JACK		J4	1
7	YJP045016U		4P-PIN JACK		J1 J2	2
8	YJP065007U		6P-PIN JACK		J3	1
9						
10						

EXPLODED ASSEMBLY	PART NAME	PART CODE	STOCK NO.			QTY USED
REMARKS	PART CODE	PART STOCK NUMBER	PART NAME	SPECIFICATIONS	SYMBOLIC OR EXPLODED VIEW NO.	
1	APSAB005ED		P.W. BOARD ASSY.			1
2	AP55W088AA		P.W. BOARD ASSY.			1
3	APSTC036AD		P.W. BOARD ASSY.			1
4	APSZ022BA		P.W. BOARD ASSY.			1
5						
6						
7						
8						
9						
10						

410A

EXPLODED ASSEMBLY		PART NAME		PART CODE		STOCK NO.	
REMARKS		ELEC. ELEMENTS		AAB37AESCL1			
1	2	3	4	5	6	7	8
1	2	3	4	5	6	7	8
1		ACAC035EEA		AC CORD ASSY		AC1	
2		APSSW08BAA		P.W. BOARD ASSY.			
3		AP5410A*E1		P.W. BOARD ASSY.			
4		CEAG01081X		ELYT. CAPACITOR	1MFD 50V	C1 C2	
5		CNST103MAN		OIL PAPER CAP.		C3 C4	
6		G410A*EA01		WIRES KIT			
7		QTA1102XAD		TRANSISTOR		Q3 Q4	
8		QTC2577XAD		TRANSISTOR		Q1 Q2	
9		RG2ANJ271B		M-OXIDE FILM R.	2W 270 OHM 5%	R1 R2	
10		SRO204109T		ROTARY SWITCH		S2	
11		TP8835002Y		PWR. TRANSFORMER		PT1	
12		VM?70NR004		RUSHING		ACB1	
13		VX432VL002		C-COVER		ZZ1 ZZ2	
14		YHF1P2001Z		FUSE HOLDER		FH1	
15		YJS035016Z		PHONE JACK		J3	
16		YTD015002U		TERMINAL		J4	
17		YTS045007U		TERMINAL		J1 J2	
18		ZFBQ13201A		FUSE		F1	
19		ZFBQ32101A		FUSE		F4	
20		ZFBQ32201A		FUSE		F2 F3 F5 F6	
21		ZMD2050K01		METER 784TOR		M1 M2	
22		ZPA148103U		LAMP		LP1 LP2	

EXPLODED ASSEMBLY		PART NAME		PART CODE		STOCK NO.	
REMARKS		MECH. ELEMENTS		AAB37AESCL2			
1	2	3	4	5	6	7	8
1	2	3	4	5	6	7	8
1		AM410A**01		ESCUTCHEON ASSY		1	
2		RNHCL30NSN		NUT	M3, S-NI, THIN-TYPE	B24	
3		R9P30550NR		PAN HEAD RIVET		B8-1 B8-2	
4		RRU2455XAJ		THIN HD RIVET	2.4 X 5.5 ALUMINUM	B16-1 B16-2	
5		RSPB300RNN		RIND HEAD SCREW	(+1)BIT, M3 X 8 S-NI	B20-1 B20-2	
6		RSPB3010NN		RIND HEAD SCREW	(+1)BIT, M3 X 10 S-NI	B19-1 B19-2 B19-3 B19-4	
7		RSPC3006NZ		GENS SCREW	(+1)BIT, M3 X 6 S-ZNCR	B14-1 B14-2 B14-3 B14-4	10
8						B14-5 B14-6 B14-7 B14-8	
9						B15-1 B15-2	
10		RSPP3010NP		PAN HEAD SCREW	(+1)BIT, M3 X 10 PLASTIC	B23	
11		RTPB5010TB		RIND HD SCREW		B12-1 B12-2 B12-3 B12-4	4
12		RTPL3008BB		NAIL TAP SCREW	(+1)BIT, M3 X 8 S-BLACK	B7-1 B7-2 B7-3 B7-4	4
13		RTPP3008AP		PAN TAP SCREW	(+1)BIT, M3 X 8 S-BLACK	B30-1 B30-2 B30-3 B30-4	1
14						B9-1 B9-2 B9-3 B9-4	
15						B9-5 B9-6 B9-7	
16		RTPS3008TZ		FLAT TAP SCREW	(+1)BIT, M3 X 8 S-ZNCR (TAP TITE)	B17-1 B17-2 B17-3	3
17		RTPW3006BZ		BRAS. TAP SCREW	(+1)BIT, M3 X 6 S-ZNCR	B36-1 B36-2	2
18		RTPW3008AZ		BRAS. TAP SCREW	(+1)BIT, M3 X 8 S-ZNCR	B18 B3-1 B3-2	3
19		RTPW3008BB		BRAS. TAP SCREW	(+1)BIT, M3 X 8 S-BLACK	B5-1 B5-2	2
20		RTPW3008RJ		BRAS. TAP SCREW		B4-1 B4-2	2
21		RTPW3008BZ		BRAS. TAP SCREW	(+1)BIT, M3 X 8 S-ZNCR	B1-1~8 B10-1~4	23

EXPLODED ASSEMBLY		PART NAME		PART CODE		STOCK NO.				
		MECH. ELEMENTS		AAR37AESCL2						
1/4	REMARKS	PART CODE	PART, STOCK NUMBER	PART NAME	SPECIFICATIONS	SYMBOLIC OR EXPLODED VIEW NO.		QTY USED		
1						B10-5	B10-6	B2-1	B2-2	
2						B26-1	B26-2	B31-1	B31-2	
3						B32	B35-1	B35-2		
4		RTPW3012BZ		BRAS, TAP SCREW	(+)BIT, M3 X 12 S-ZNCR	B11-1	B11-2	B11-3	B11-4	4
5		RWM30A085N		FLAT L. WASHER	FLAT LARGE, 3 M/M S-NI	B29	B33			2
6		RWM307055N		FLAT L. WASHER	FLAT LARGE, 3 M/M S-NI	B34-1	B34-2			2
7		RWM50C0858		FLAT L. WASHER	FLAT LARGE, 5 M/M S-BLACK	B13-1	B13-2	B13-3	B13-4	4
8		RWT30602BN		GND. WASHER	3 M/M RS-NI	B25				1
9		MR9725E070		REAR PANEL		5				1
10		MR9725L007		FRONT PANEL		2				1
11		MC371S2002		BRACKET		15-1	15-2			2
12		ML331SS001		TERMINAL		27				1
13		ML765SL003		SHIELD		25				1
14		MN276XA020		KNOB		8-1	8-2	8-3	8-4	5
15						8-5				
16		MN386XA024		KNOB		9				1
17		MS976SL001		BOTTOM PLATE		7				1
18		MU752SL001		SIDE PLATE		4				1
19		MU764A0001		HEAT SINK		14				1
20		MU765SL001		CHASSIS		3				1
21		MU897SX022		COVER		6				1
22		MVL635GF01		SER. NO. PLATE		12				1
23		VR532AW001		LAMP HOUSE		18-1	18-2			2

EXPLODED ASSEMBLY		PART NAME		PART CODE		STOCK NO.				
		MECH. ELEMENTS		AAR37AESCL2						
1/4	REMARKS	PART CODE	PART, STOCK NUMBER	PART NAME	SPECIFICATIONS	SYMBOLIC OR EXPLODED VIEW NO.		QTY USED		
1		VM165RX003		HOLDER		19-1	19-2			2
2		VM280ER001		FOOT		17-1	17-2	17-3	17-4	4
3		VN220SX001		POW KNOB		11				1
4		VN360SX001		KNOB		10-1	10-2	10-3	10-4	4
5		VS227RR001		SHFEET		13-1	13-2	13-3	13-4	4
6		VS325VN001		BARPIER		29				1
7		VS417NND03		CLAMPER		28				1
8		VVL311GE60		LABEL		24				1

EXPLODED ASSEMBLY		PART NAME		PART CODE		STOCK NO.				
		ESCUTCHEON ASSY		AM410A**01						
1/4	REMARKS	PART CODE	PART, STOCK NUMBER	PART NAME	SPECIFICATIONS	SYMBOLIC OR EXPLODED VIEW NO.		QTY USED		
1		ME97FAA105		ESCUTCHEON		1-A				1
2		VK132SX004		BUSH LEVER		1-B-1	1-B-2			2
3		VK132SX007		BUSH		1-F-1	1-F-2			2
4		VK133SX001		BUSH POWER		1-C				1
5		VK165SX004		METER FRAME		1-D-1	1-D-2			2

EXPLODED ASSEMBLY		PART NAME		PART CODE		STOCK NO.				
		PRINTED MATTERS		AAR37AESCL3						
1/4	REMARKS	PART CODE	PART, STOCK NUMBER	PART NAME	SPECIFICATIONS	SYMBOLIC OR EXPLODED VIEW NO.		QTY USED		
1		KT410AFCX		OWNER'S MANUAL						1
2		KW0001238X		WARRANTY CARD						1
3										

EXPLODED ASSEMBLY	PART NAME		PART CODE	STOCK NO.						
	P.W. BOARD ASSY.		AP5A8005GD							
REMARKS	PART CODE	PART, STOCK NUMBER	PART NAME	SPECIFICATIONS				SYMBOLIC OR EXPLODED VIEW NO.		QTY USED
1	CCFA121K0T		CERAMIC CAP.	120PF	50V	-10, +10% SL	C13	C14	2	
2	CCFB221K0T		CERAMIC CAP.	220PF	50V	-10, +10% SL	C1	C2	2	
3	CCGB10000T		CERAMIC CAP.	SL 10PF	50V	-0.5, +0.5PF	C25	C26 C29 C30	4	
4	CCGB820K0T		CERAMIC CAP.	82PF	50V	-10, +10% SL	C19	C20	2	
5	CEAB2214LX		FLYT. CAPACITOR	220MFD	6.3V		C51	C52	2	
6	CEAD100NLX		FLYT. CAPACITOR				C57	C58	2	
7	CEAD2214LX		FLYT. CAPACITOR	220MFD	16V		C67	C68	2	
8	CEAE470ALX		FLYT. CAPACITOR	47MFD	25V		C62		1	
9	CEAF470ALX		FLYT. CAPACITOR	47MFD	35V		C33	C34	2	
10	CEAG101ALX		FLYT. CAPACITOR	100MFD	50V		C61		1	
11	CFQ1U6820I		FLYT. CAP				C65	C66	2	
12	CFVC101ALX		FLYT. CAPACITOR				C47	C48	2	
13	CFVC470ALX		FLYT. CAPACITOR				C11	C12	2	
14	CEVD100ALX		FLYT. CAPACITOR				C59	C60	2	
15	CEVE4R7ALX		FLYT. CAPACITOR				C43	C44 C45 C46	4	
16	CEVG010ALX		FLYT. CAPACITOR				C10	C17 C18 C3	8	
17							C31	C32 C4 C9		
18	CEVG100ALX		FLYT. CAPACITOR				C21	C22	2	
19	CEVG2R2ALX		FLYT. CAPACITOR				C63		1	
20	CKDE103PEM		CERAMIC CAP.	0.01MFD	500V	-0, +100% F	C64		1	
21	CKFB2237FT		CERAMIC CAP.	0.022MFD	50V	-20, +80% F	C39	C40 C41 C42	4	
22	CKFB4737FT		CERAMIC CAP.	0.047MFD	50V	-20, +80% F	C71	C72	2	
23	CKGB561KAT		CERAMIC CAP.	560PF	50V	-10, +10% B	C70		1	

EXPLODED ASSEMBLY	PART NAME		PART CODE	STOCK NO.						
	P.W. BOARD ASSY.		AP5A8005GD							
REMARKS	PART CODE	PART, STOCK NUMBER	PART NAME	SPECIFICATIONS				SYMBOLIC OR EXPLODED VIEW NO.		QTY USED
1	CQMB122JEH		MYLAR CAPACITOR	1200PF	50V	-5, +5%	C7	C8	2	
2	CQMB392JEH		MYLAR CAPACITOR	3900PF	50V	-5, +5%	C5	C6	2	
3	CQMB473KTH		MYLAR CAPACITOR	0.047MFD	50V	-10, +10%	C55	C56	2	
4	CQMB562KTH		MYLAR CAPACITOR	5600PF	50V	-10, +10%	C53	C54	2	
5	CQMB563KTH		MYLAR CAPACITOR	0.056MFD	50V	-10, +10%	C15	C16	2	
6	CQMC563KEH		MYLAR CAPACITOR				C49	C50	2	
7	LA3LE1024A		CHOKER COIL				L1	L2	2	
8	MW201BS001		TERMINAL						21	
9	MW401CX006		SHOT JAMPER						24	
10	PSA8005COX		PRINTED W. BOARD						1	
11	PS430A**CX		PRINTED W. BOARD						1	
12	QDG1N60XXT		GERMANIUM DIODE	NO-RANK			D21	D22 D23 D24	4	
13	QDS6P20G6G		SILICON DIODE				D33	D34 D35 D36	4	
14	QDSN4448XZ		SILICON DIODE	1N4448 VRM=100V	NO-RANK		D13	D14 D15 D16	17	
15							D17	D18 D19 D20		
16							D25	D26 D29 D30		
17							D37	D5 D6 D7		
18							D8			
19	QDSRA1ZXXD		SILICON DIODE	RA1Z	NO-RANK		D10	D11 D12 D9	4	
20	QD2RD15FCA		ZENER DIODE	RD15E(C)	VZ=14.7-16.5	C-RANK	D31	D32	2	
21	QD2RD18ECA		ZENER DIODE	RD18FC	VZ=18-20.3	C-RANK	D28		1	
22	QQM06551BN		I.C.				U1		1	
23	QT40720XBN		TRANSISTOR	2SA720	Q, R-RANK		Q13	Q14	2	

EXPLODED ASSEMBLY		PART NAME P.W. BOARD ASSY.		PART CODE APSAR005GD	STOCK NO.					
LINE	REMARKS	PART CODE	PART STOCK NUMBER	PART NAME	SPECIFICATIONS	SYMBOLIC OR EXPLODED VIEW NO.				QTY USED
1		QTA0777XAN		TRANSISTOR	2SA777 R.O-RANK	Q10	Q9			2
2		QTA079AXEF		TRANSISTOR	2SA798 F.G-RANK BREAK VOLTAGE=70V	Q1	Q2			2
3		QTC131RXDN		TRANSISTOR	2SC1318 Q.R-RANK	Q11	Q12			2
4		QTC150SXBN		TRANSISTOR	2SC1509 Q.R-RANK	Q7	Q8			2
5		QTC1695XAN		TRANSISTOR	2SC1685 Q.R-RANK	Q15	Q16	Q3	Q4	4
6		QTC1885XAN		TRANSISTOR	2SC1885 R.S-PANK	Q5	Q6			2
7		QVFSTV3HXD		VARISTOR	STV-3H Q.Y-RANK (VF:1.60V-1.74V)	D3	D4			2
8		RD25PJ102X		CARBON FILM R.	0.25W 1K OHM 5%	R15	R16	R25	R26	4
9		RD25PJ104X		CARBON FILM R.	0.25W 100K OHM 5%	R1	R2	R3	R4	5
10						R86				
11		RD25PJ122X		CARBON FILM R.	0.25W 1.2K OHM 5%	R73	R74			2
12		RD25PJ132X		CARBON FILM R.	0.25W 1.3K OHM 5%	R11	R12			2
13		RD25PJ133X		CARBON FILM R.	0.25W 13K OHM 5%	R21	R22			2
14		RD25PJ182X		CARBON FILM R.	0.25W 1.8K OHM 5%	R81	R82			2
15		RD25PJ183X		CARBON FILM R.	0.25W 18K OHM 5%	R29	R30			2
16		RD25PJ220X		CARBON FILM R.	0.25W 22 OHM 5%	R88				1
17		RD25PJ222X		CARBON FILM R.	0.25W 2.2K OHM 5%	R17	R18	R84		3
18		RD25PJ223X		CARBON FILM R.	0.25W 22K OHM 5%	R93	R94	R95	R96	4
19		RD25PJ224X		CARBON FILM R.	0.25W 220K OHM 5%	R13	R14			2
20		RD25PJ271X		CARBON FILM R.	0.25W 270 OHM 5%	R69	R70	R75	R76	6
21						R97	R98			
22		RD25PJ272X		CARBON FILM R.	0.25W 2.7K OHM 5%	R79	R80			2
23		RD25PJ332X		CARBON FILM R.	0.25W 3.3K OHM 5%	R61	R62	R63	R64	6

EXPLODED ASSEMBLY		PART NAME P.W. BOARD ASSY.		PART CODE APSAR005GD	STOCK NO.					
LINE	REMARKS	PART CODE	PART STOCK NUMBER	PART NAME	SPECIFICATIONS	SYMBOLIC OR EXPLODED VIEW NO.				QTY USED
1						R71	R72			
2		RD25PJ333X		CARBON FILM R.	0.25W 33K OHM 5%	R85				1
3		RD25PJ392X		CARBON FILM R.	0.25W 3.9K OHM 5%	R31	R32	R33	R34	4
4		RD25PJ471X		CARBON FILM R.	0.25W 470 OHM 5%	R91	R92			2
5		RD25PJ561X		CARBON FILM R.	0.25W 560 OHM 5%	R5	R6			2
6		RD25PJ623X		CARBON FILM R.	0.25W 62K OHM 5%	R10	R9			2
7		RD25PJ681X		CARBON FILM R.	0.25W 680 OHM 5%	R19	R20			2
8		RD25PJ683X		CARBON FILM R.	0.25W 68K OHM 5%	R23	R24			2
9		RD25PJ754X		CARBON FILM R.	0.25W 750K OHM 5%	R7	R8			2
10		RD25TJ270X		CARBON FILM R.	0.25W 27 OHM 5%	R47	R48			2
11		RD25TJ331X		CARBON FILM R.	0.25W 330 OHM 5%	R57	R58	R59	R60	4
12		RD25TJ5P6X		CARBON FILM R.	0.25W 5.6 OHM 5%	R27	R28			2
13		RD25TJ681X		CARBON FILM R.	0.25W 680 OHM 5%	R37	R38			2
14		RD25TJ820X		CARBON FILM R.	0.25W 82 OHM 5%	R39	R40			2
15		RD25VJ101X		CARBON FILM R.	0.25W 100 OHM 5%	R65	R66			2
16		RF02SKR47B		WIRE WOUND R.	2W 0.47 OHM 10%	R53	R54	R55	R56	4
17		RGHANJ151B		M-OXIDE FILM R.	1/2W 150 OHM 5%	R49	R50	R51	R52	4
18		RGHANJ182B		M-OXIDE FILM R.	1/2W 1.8K OHM 5%	R77	R78			2
19		RGHANJ472B		M-OXIDE FILM R.	1/2W 4.7K OHM 5%	R41	R42	R43	R44	4
20		RGHARJ122B		M-OXIDE FILM R.		R87				1
21		RG1ARJ122B		M-OXIDE FILM R.		R89	R90			2
22		RPJNB33102		SEMI-FIXED VR.		RV1	RV2			2
23		RVQA254R05		VR.		RV2				1

EXPLODED ASSEMBLY	PART NAME P.W. BOARD ASSY.	PART CODE APSSW086RA	STOCK NO.					QTY USED
REMARKS	PART CODE	PART STOCK NUMBER	PART NAME	SPECIFICATIONS	SYMBOLIC OR EXPLODED VIEW NO.			
1	MW401CX006		SHOT JAMPER					5
2	PSSW086C0X		PRINTED W. BOARD					1
3	RD25PJ222X		CARBON FILM R.	0.25W 2.2K OHM 5%	R1	R2		2
4	SL0403077N		LEVER SWITCH		S1	S2		2

EXPLODED ASSEMBLY	PART NAME P.W. BOARD ASSY.	PART CODE APSSW098AA	STOCK NO.					QTY USED
REMARKS	PART CODE	PART STOCK NUMBER	PART NAME	SPECIFICATIONS	SYMBOLIC OR EXPLODED VIEW NO.			
1	MS5455S002		SHIELD		S11			1
2	PSSW086C0X		PRINTED W. BOARD					1
3	SP01AAS09A		PUSH SWITCH		S1			1

EXPLODED ASSEMBLY	PART NAME P.W. BOARD ASSY.	PART CODE APSTC036AD	STOCK NO.					QTY USED
REMARKS	PART CODE	PART STOCK NUMBER	PART NAME	SPECIFICATIONS	SYMBOLIC OR EXPLODED VIEW NO.			
1	CFV01C04LX		FLYT. CAPACITOR		C5	C6		2
2	CQM81B4K4FH		MYLAR CAPACITOR	0.18MFD 50V -10, +10%	C3	C4		2
3	CQM8273KTH		MYLAR CAPACITOR	0.027MFD 50V -10, +10%	C1	C2		2
4	PSTC036C0X		PRINTED W. BOARD					1
5	RD25PJ123X		CARBON FILM R.	0.25W 12K OHM 5%	R1	R2		2
6	RD25PJ162X		CARBON FILM R.	0.25W 1.6K OHM 5%	R3	R4		2
7	RVQA503N02		VR.		VR1			1
8	ZZZ000012?		PC JOINT		JU4			1
9								
10								

EXPLODED ASSEMBLY	PART NAME P.W. BOARD ASSY.	PART CODE APSR005GN	STOCK NO.					QTY USED	
REMARKS	PART CODE	PART STOCK NUMBER	PART NAME	SPECIFICATIONS	SYMBOLIC OR EXPLODED VIEW NO.				
1	RVQA254X04		VR.		VR1			1	
2	RVQA503N02		VR.		VR3			1	
3	RX1ARJ5P6R		M-OXIDE FILM R.		R57	R68		2	
4	SH0203047B		SLIDE, ROTARY SW		S1			1	
5	SL0202267N		LEVER SWITCH		S2	S3		2	
6	VVL2116F55		LABEL					4	
7	W5G916JJJJ		SHIELDED WIRE		NO6			1	
8	WTG014EFXX		SOLID WIRE		NO10			1	
9	WTG510EFXX		SOLID WIRE		NO11			1	
10	WTG608EFXX		SOLID WIRE		NO12			1	
11	WTG710EFXX		SOLID WIRE		NO13			1	
12	WTH013FLXX		SOLID WIRE		NO16	NO17		2	
13	WTH024ELXX		SOLID WIRE		NO18			1	
14	WTJ018EMXX		SOLID WIRE		NO15			1	
15	WTM909EFXX		SOLID WIRE		NO9			1	
16	WTM910EFXX		SOLID WIRE		NO8			1	
17	WWF217JXJJ		SHIELDED WIRE		NO1			1	
18	WWF413JXJJ		SHIELDED WIRE		NO2			1	
19	WWF518JXJJ		SHIELDED WIRE		NO3			1	
20	WWF618JXJJ		SHIELDED WIRE		NO4			1	
21	YHF0P0001Z		FUSE HOLDER		FH2-1	FH2-2	FH3-1	FH3-2	10
22					FH4-1	FH4-2	FH5-1	FH5-2	
23					FH6-1	FH6-2			

EXPLODED ASSEMBLY	PART NAME	PART CODE	STOCK NO.				QTY USED
REMARKS	PART CODE	PART STOCK NUMBER	PART NAME	SPECIFICATIONS	SYMBOLIC OR EXPLODED VIEW NO.		
1	MW401CX006		SHOT JAMPER				2
2	PSAZ022C0X		PRINTED W. BOARD				1
3	RD25PJ104X		CARBON FILM R.	0.25W 100K OHM 5%	R5	R6	2
4	RD25PJ222X		CARBON FILM R.	0.25W 2.2K OHM 5%	R1	R2	2
5	RD25PJ394X		CARBON FILM R.	0.25W 390K OHM 5%	R3	R4	2
6	YJD05S011Z		5P DIN JACK		J4		1
7	YJP04S016U		4P-PIN JACK		J1	J2	2
8	YJP06S007U		6P-PIN JACK		J3		1

EXPLODED ASSEMBLY	PART NAME	PART CODE	STOCK NO.				QTY USED
REMARKS	PART CODE	PART STOCK NUMBER	PART NAME	SPECIFICATIONS	SYMBOLIC OR EXPLODED VIEW NO.		
1	APSAB005GD		P.W. BOARD ASSY.				1
2	APSSW086RA		P.W. BOARD ASSY.				1
3	APSTC036AD		P.W. BOARD ASSY.				1
4	APS7Z022BA		P.W. BOARD ASSY.				1
5							
6							
7							
8							
9							
10							
11							
12							

EXPLODED ASSEMBLY	PART NAME	PART CODE	STOCK NO.				QTY USED
REMARKS	PART CODE	PART STOCK NUMBER	PART NAME	SPECIFICATIONS	SYMBOLIC OR EXPLODED VIEW NO.		
1	MW401CX006		SHOT JAMPER				2
2	PSAZ022C0X		PRINTED W. BOARD				1
3	RD25PJ104X		CARBON FILM R.	0.25W 100K OHM 5%	R5	R6	2
4	RD25PJ222X		CARBON FILM R.	0.25W 2.2K OHM 5%	R1	R2	2
5	RD25PJ394X		CARBON FILM R.	0.25W 390K OHM 5%	R3	R4	2
6	YJD05S011Z		5P DIN JACK		J4		1
7	YJP04S016U		4P-PIN JACK		J1	J2	2
8	YJP06S007U		6P-PIN JACK		J3		1

EXPLODED ASSEMBLY	PART NAME	PART CODE	STOCK NO.				QTY USED
REMARKS	PART CODE	PART STOCK NUMBER	PART NAME	SPECIFICATIONS	SYMBOLIC OR EXPLODED VIEW NO.		
1	APSAB005GD		P.W. BOARD ASSY.				1
2	APSSW086RA		P.W. BOARD ASSY.				1
3	APSTC036AD		P.W. BOARD ASSY.				1
4	APS7Z022BA		P.W. BOARD ASSY.				1
5							
6							
7							
8							
9							
10							
11							
12							

 **SCOTT.**
The Name to listen to.

U.S.A. CORPORATE HEADQUARTERS

H. H. SCOTT INC.

20 Commerce Way

Woburn, Mass. 01801

tel.: 617-933-8800

EUROPE

SYMA INTERNATIONAL S.A.

Avenue du Bourget 10

1140 Bruxelles (Belgium)

tel.: 2-242-4700
