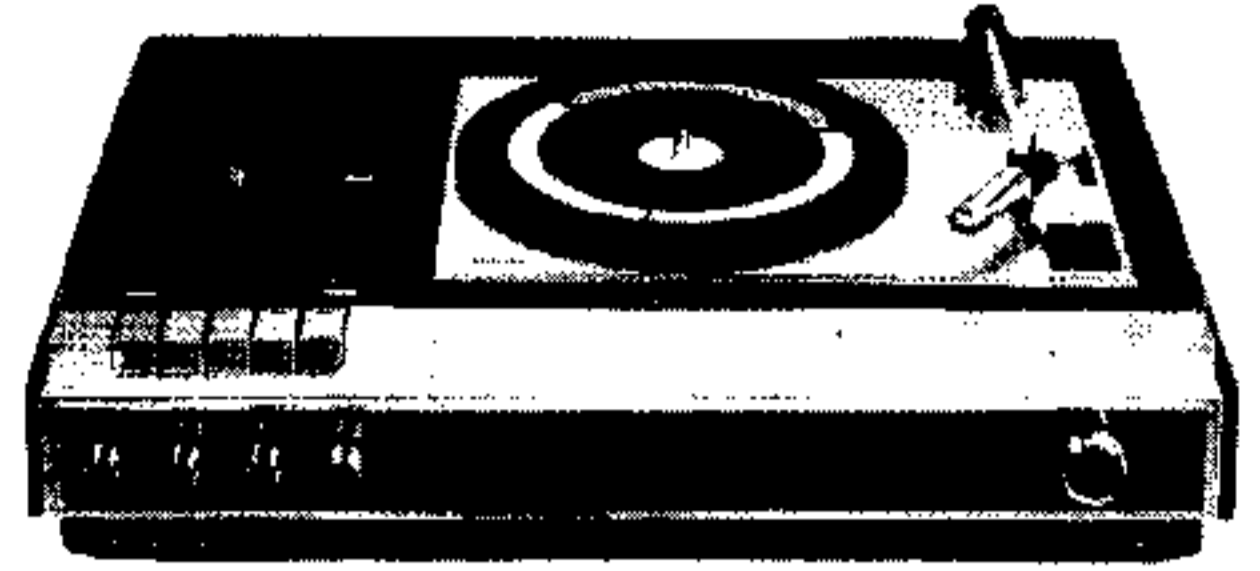


Met dank aan www.radiomuseum-hengelo.nl



1682A

PHILIPS



GB	NL	F	D	I
CONTENTS	INHOUD	TABLE DES MATIERES	INHALT	INDICE
Specification	1	Caractéristiques techniques	Spezifizierung	Caratteristiche tecniche
Operating controls	2	Organes de commandes	Bedienungsorgane	Organi di comando
Connections	2	Connexions	Anschlüsse	Collegamenti
Wiring diagram	3-6	Schéma de câblage	Verdrahtungsplan	Schema di cablaggio
Circuit diagram HF+IF	7, 8	Schéma de principe HF+FI	Prinzipschaltbild HF+ZF	Schema di principio AF+FI
Block diagram	9, 10	Schéma synoptique	Blockschaltbild	Schema a blocchi
Circuit diagram LF	11, 12	Schéma de principe BF	Prinzipschaltbild NF	Schema di principio BF
Print side + voltages	13-15	Côté imprimé + tensions	Printseite + Spannungen	Lato stampato + tensioni
Adjusting instruction	16-18	Instructions d'ajustage	Abgleichvorschrift	Istruzioni di regolazione
Repair hints	19-26	Instructions pour les réparations	Reparaturhinweise	Istruzioni di riparazioni
Parts list, recorder	26	Liste des pièces du magnétophone	Ersatzteilliste Recorder	Elenco dei pezzi registratore
Assembly drawing, recorder	27	Dessin d'assemblage du magnétophone	Komplette Zeichnung Recorder	Disegno di montaggio, del registratore
Figures of adjustments	28	Figures de réglage du magnétophone	Abbildung von Einstellungen Recorder	Disegni della regolazione del registratore
Drawing of apparatus assembly	29, 30	Dessin d'assemblage de l'appareil	Komplette Zeichnung des Gerätes	Disegno del montaggio dell'apparecchio
Parts list, apparatus	31	Liste des pièces de l'appareil	Ersatzteilliste Gerät	Elenco dei pezzi dell'apparecchio
Routing of cord	31	Trajet de la courroie	Seilllauf	Percorso della cinghia
List of electrical parts	32	Liste des pièces électriques	Liste elektrischer Teile	Elenco dei pezzi elettrici

GB	NL	F	D	I
SPECIFICATION	SPECIFICATIE	CARACTERISTIQUES TECHNIQUES	SPEZIFIKATION	CARATTERISTICHE TECNICHE
Record player	22GC005/33	Platenspieler	Plattenspieler	Giradischi
Supply voltages	110-127-220-240 V	Voedingsspanningen	Speisespannungen	Tensione d'alimentazione
Output power	8 Ω-5 W, 4 Ω-6.5 W d = 10 %	Uitgangsvermogen	Ausgangsleistung	Potenza uscita
Voltage on head-phone output	1.5 - 1.75 V (400-600 Ω)	Spanning op hoofd-telefoonuitgang	Spannung am Kopfhörerausgang	Tensione all'uscita dell'auricolare
IF-AM /00	452 kHz	IF-AM /00	ZF-AM /00	IF-AM /00
/15	470 kHz	/15	/15	/15
/22	460 kHz	/22	/22	/22
IF-FM	10.7 MHz	IF-FM	ZF-UKW	IF-FM
Input sensitivity σ	238 mV/530 k Ω	Ingangsevoeligheid σ	Eingangsempfindlichkeit σ	Sensibilità d'ingresso σ
Output level σ	0.1 - 2 mV/k Ω	Uitgangsniveau σ	Ausgangspegel σ	Livello di uscita σ
Microphone impedance	600 Ω	Microfoonimpedantie	Mikrofonimpedanz	Impedanza microfono
Tape speed	4.76 cm/sec.	Bandsnelheid	Bandgeschwindigkeit	Velocità del nastro
Number of tracks	2 stereo	Aantal sporen	Spurzahl	Numero piste
Frequency erase oscillator	59 kHz	Wisosc. frequente	Frequenzlösch-oscillator	Frequenza osc. di cancellazione
Δf erase oscillator	+ and -6 kHz	Δf wisosc.	Δf Löschoszillator	Δf dell'Oscil. di cancellazione
Dimensions without cap	528x330x120	Afmetingen zonder kap	Abmessungen ohne Deckel	Dimensioni senza coperchio

LW - LG - GO - LW - OL	: 148.5 - 350	kHz (2020 - 857 m)
MW1 - MG1 - PO1 - MW1 - OM1	: 515 - 1415	kHz (582.5 - 212 m)
MW2 - MG2 - PO2 - MW2 - OM2	: 1365 - 1622	kHz (216.6 - 185 m)
SW - KG - OC - KW - OC	: 5.89 - 9.87	MHz (50.93 - 30.39 m)
FM - FM - FM - UKW - FM /00/22	: 87.5 - 104	MHz
/15	: 87.5 - 108	MHz

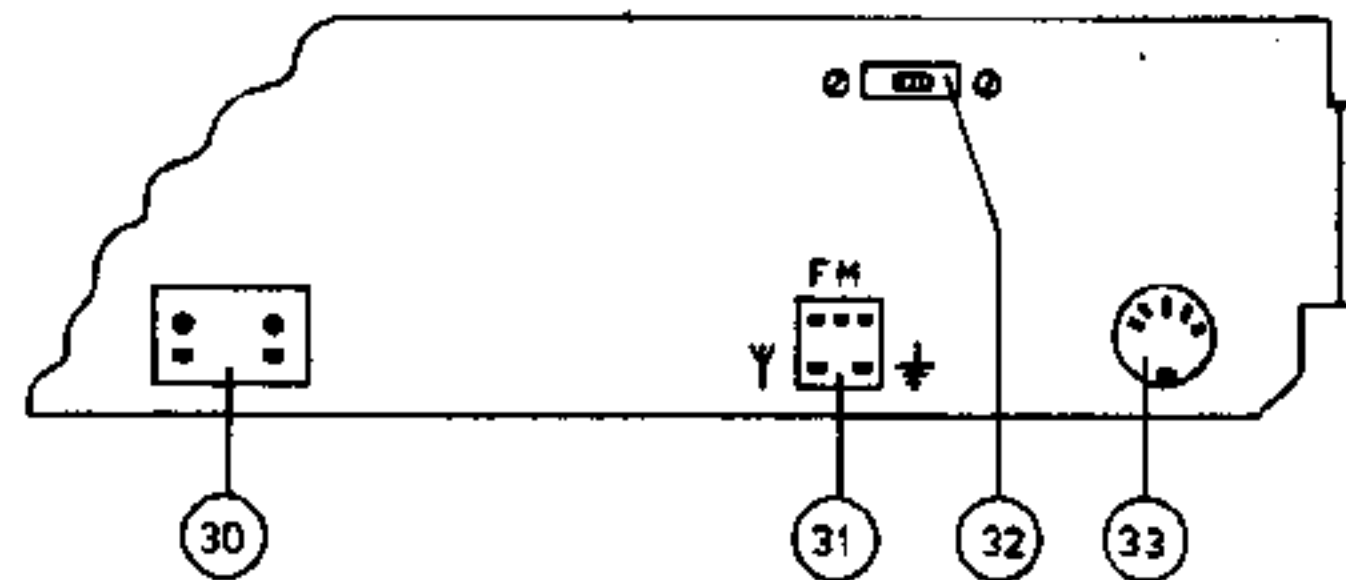
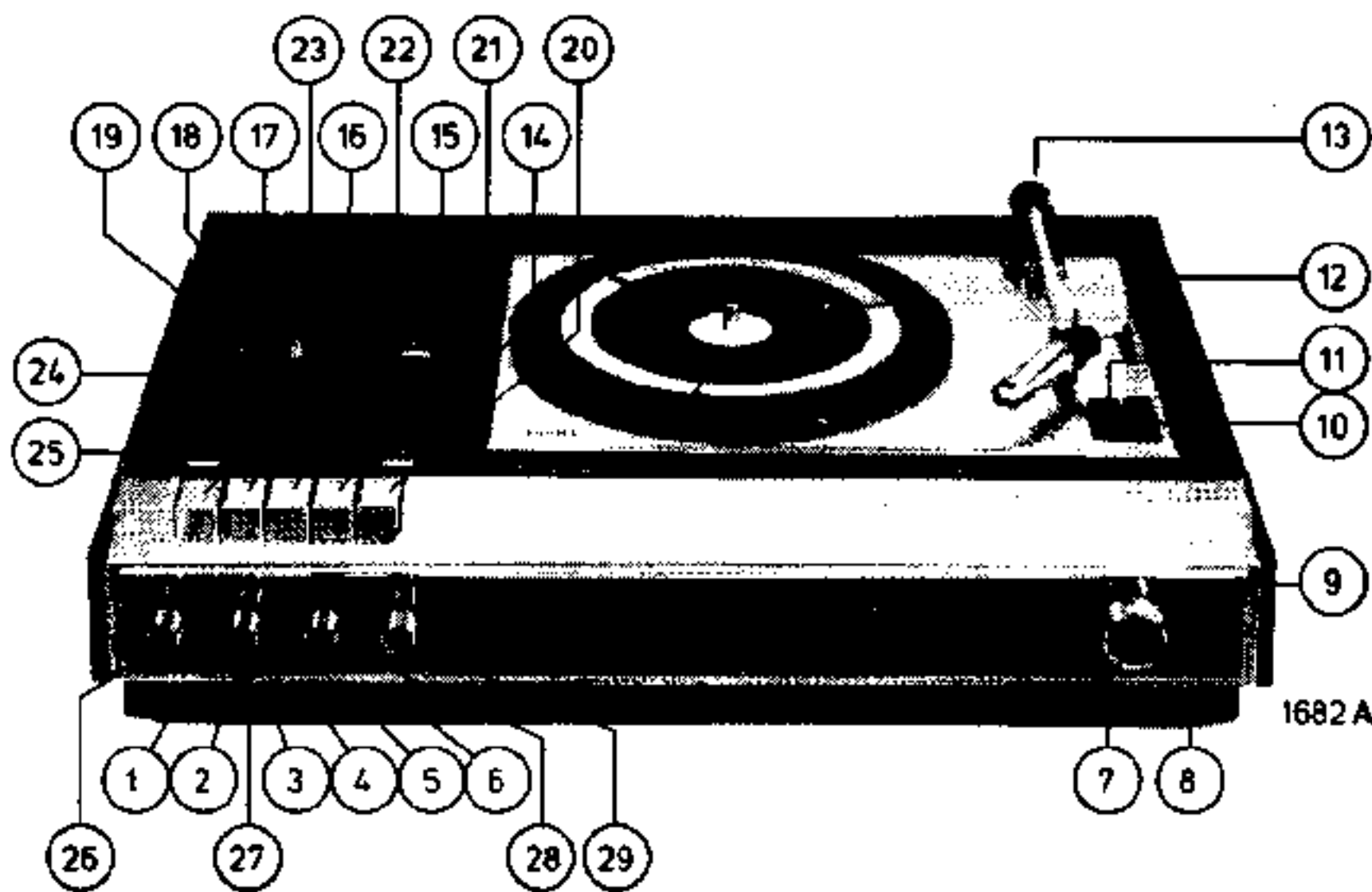
Index: CS33689-CS33703



Subject to modification

4822 725 10914

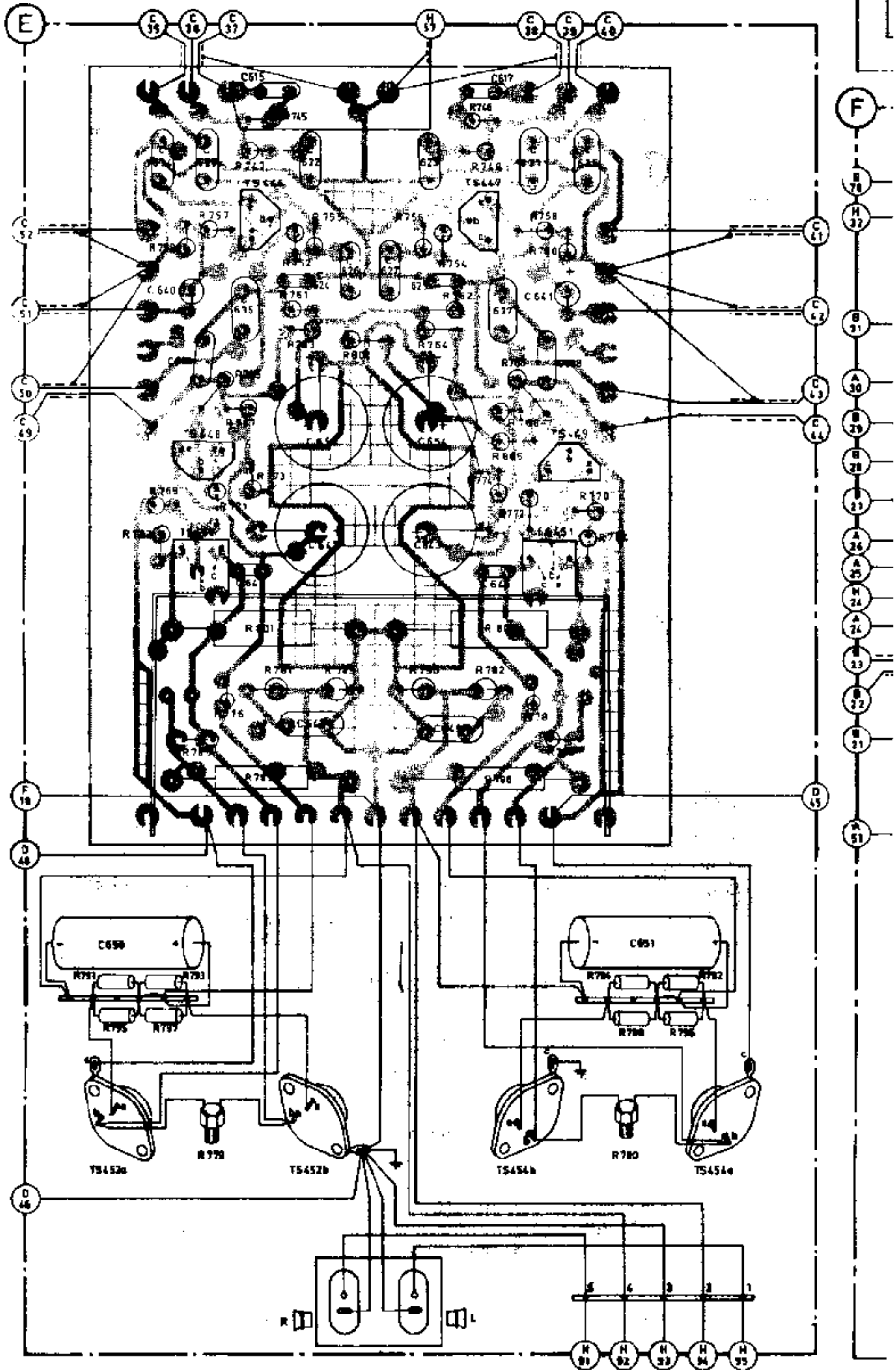
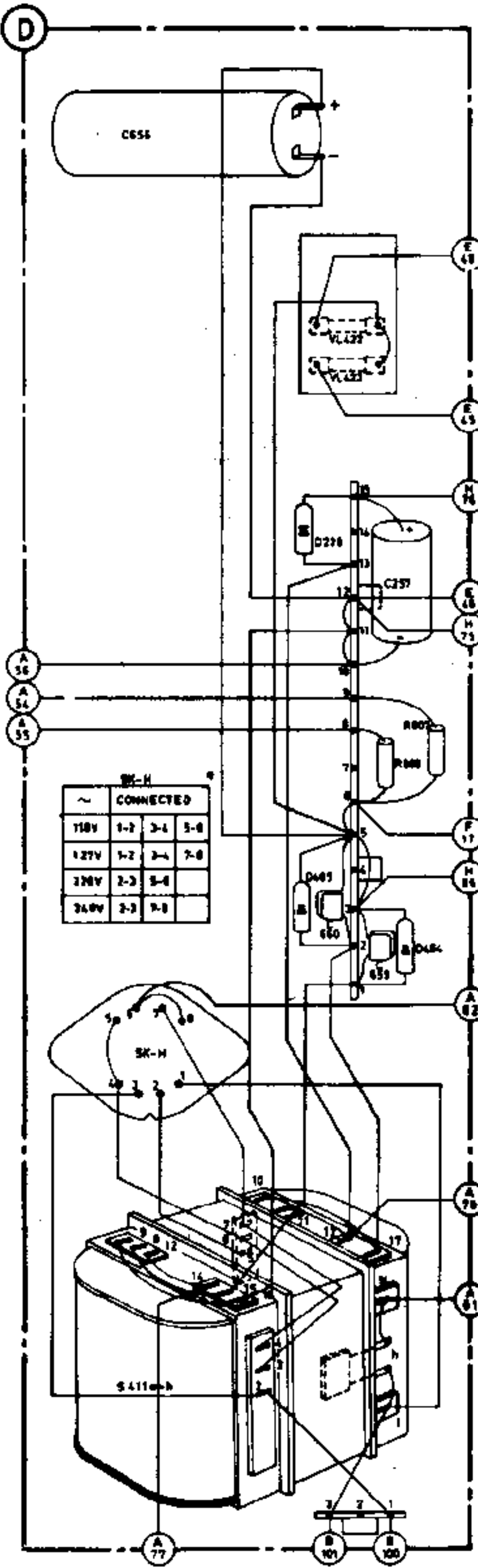
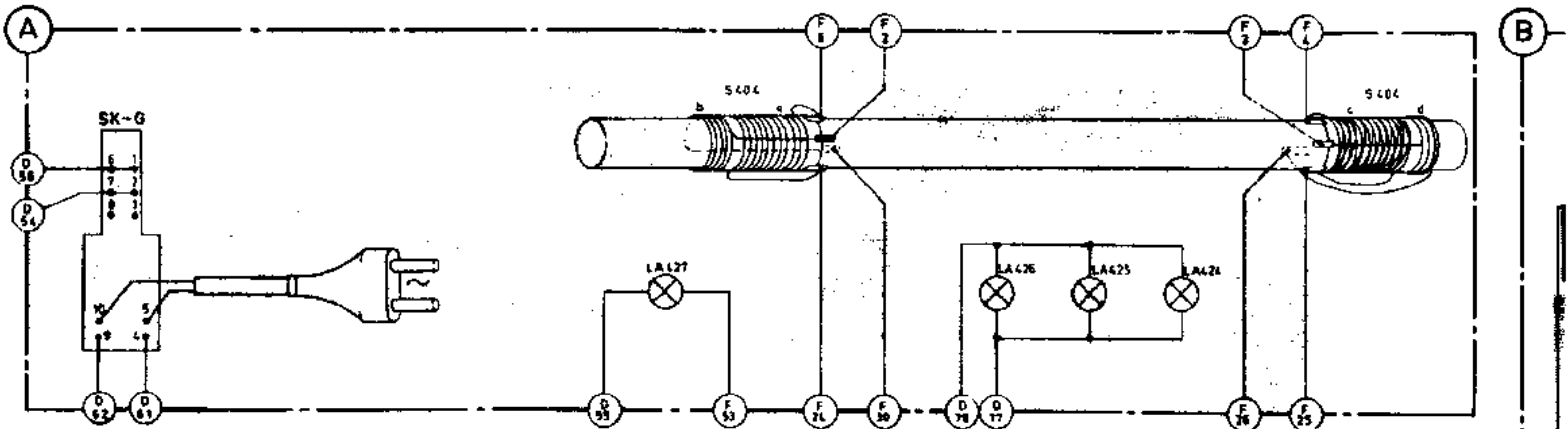
Printed in the Netherlands



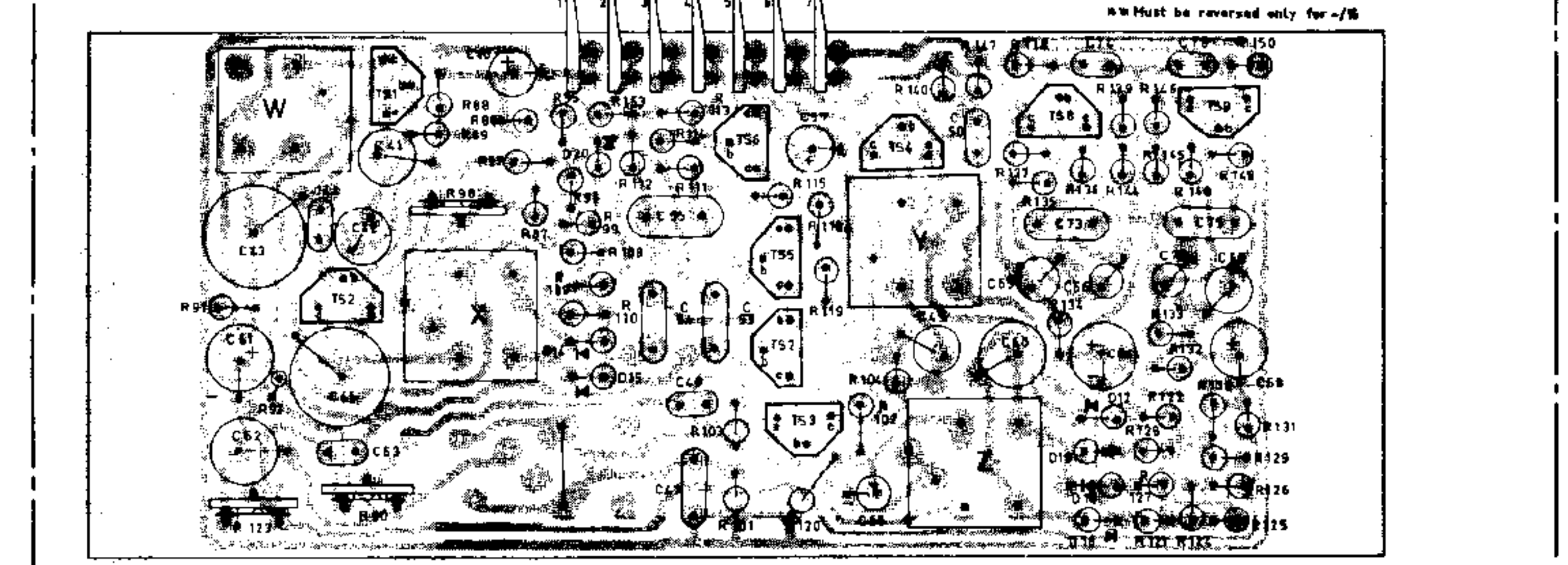
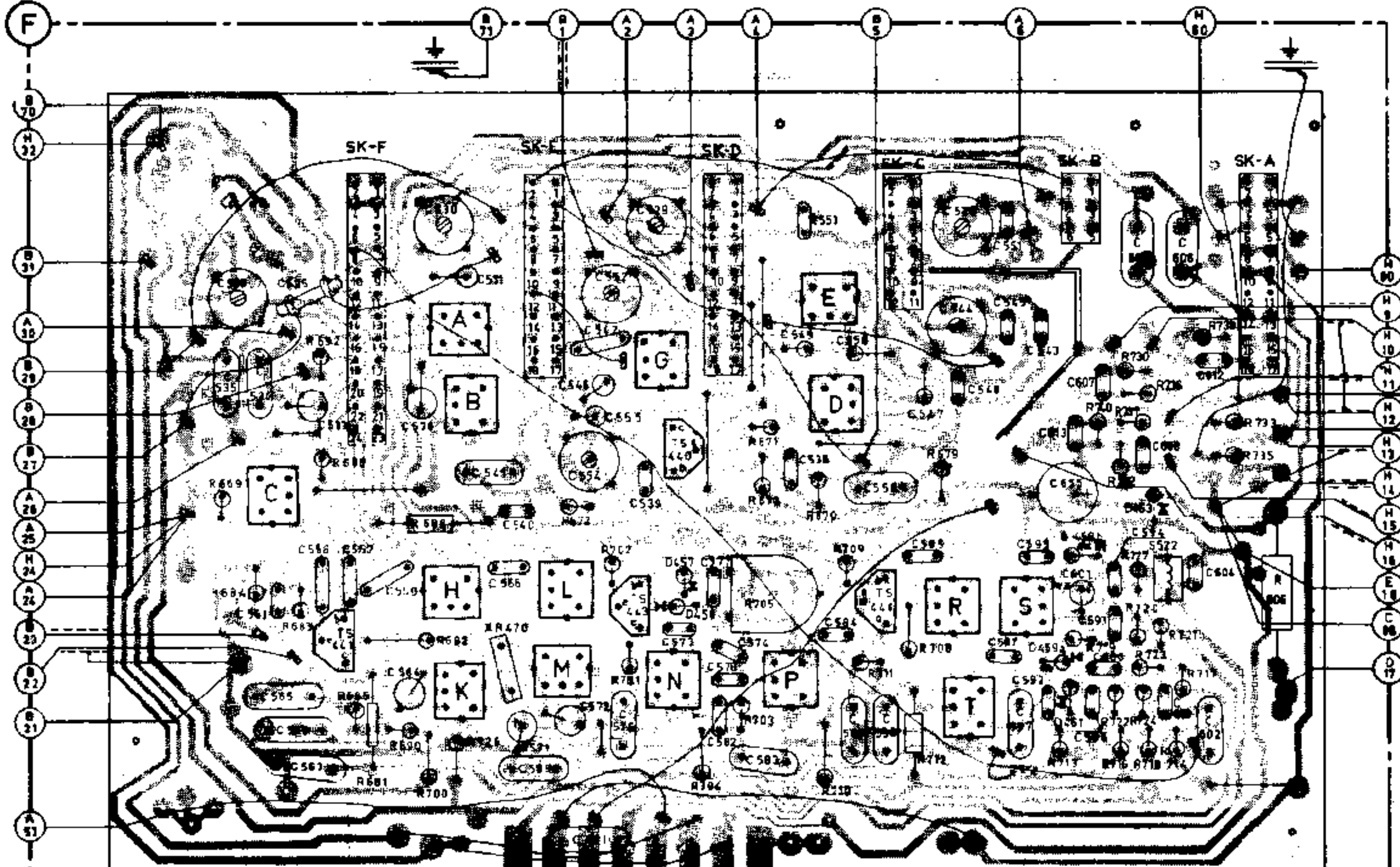
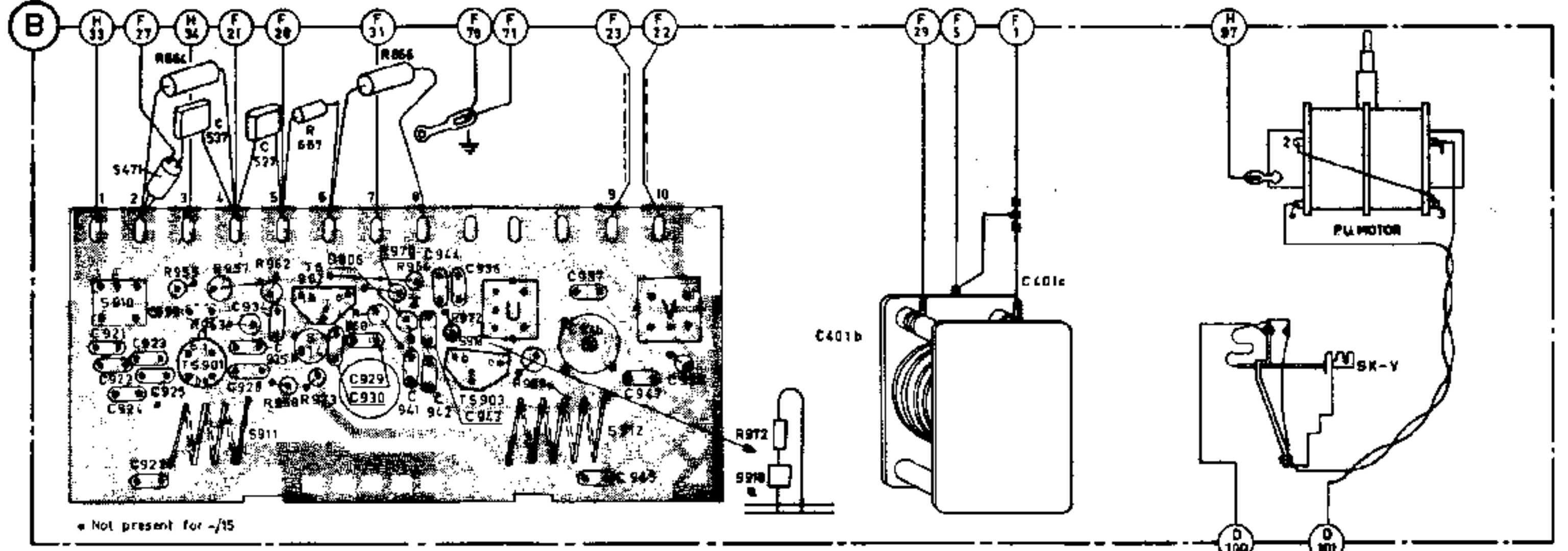
①	PU/recorder switch PU/magn. schakelaar Comm. PU/magn. TA/TB-Schalter Comm. PU/Registr.	SK-A	⑫	Speed selector Snelheidsregelaar Commande de vitesse Geschwindigkeits-einsteller Comando di velocità	⑳	Stop push-button Stoptoets Bouton-poussoir d'arrêt Stoptaste Tasto di arresto	
②	MW2-switch MG2-schakelaar Commutateur PO2 MW2-Schalter Comm. OM2	SK-B	⑬	Knob for adjusting stylus pressure Naaldrukinstelling Commande de réglage de la pression d'aiguille Nadeldruckeinsteller Controllo di regolazione della pressione della puntina		㉑	Wind Opspoelen Bobinage Aufspulen Avvolgimento rapido
③	MW1-switch MG1-schakelaar Commutateur PO1 MW1-Schalter Comm. OM1	SK-C	⑭	Pause push-button Pauze-toets Ponche d'arrêt instantané Pausen-Knopf Tasto di pausa	SK-N	㉒	Playback Weergave Reproduction Wiedergabe Riproduzione
④	LW-switch LG-schakelaar Commutateur GO LW-Schalter Comm. OL	SK-D	⑮	DNL-push-button DNL-toets Ponche de DNL DNL-Knopf Tasto di DNL	SK-O		
⑤	SW-switch KG-schakelaar Commutateur OC KW-Schalter Comm. OC	SK-E	⑯	Headphone socket Hoofdtelefoonaansluiting Douille écouteur Kopfhöreranschluss Presa auricolare	+SK-U		
⑥	FM-switch FM-schakelaar Commutateur FM UKW-Schalter Comm. FM	SK-F	⑰	Microphone socket Microfoonaansluiting Douille microphone Mikrofonanschluss Presa microfono	+SK-Q		
⑦	AM/FM-tuning AM/FM-afstemming Syntonisation AM/FM AM/UKW-Abstimmung Sintonia AM/FM	C401b, c S911, 912	⑱	Counter reset Tellerknop Bouton compteur Zählerknopf Manopola contagiri		㉓	Recorder Recorder Magnétophone Tonbandgerät Registratore
⑧	Mains switch Netschakelaar Interrupteur secteur Netzschalter Interruttore rete	SK-G		Counter Teller Compteur Zählwerk Piatto			
⑨	Stereo indicator Stereo indikator Indicateur stéréo Stereo-Indikator Indicatore stereofonico	LA427				㉔	Volume control Volumeregelaar Commande de volume Lautstärkereglér Controllo volume
⑩	Lift knob Liftknop Bouton pour élévation Liftknopf Manopola di sollevamento					㉕	Balance control Balansregelaar Equilibreur Symmetrieregler Stabilizzatore
⑪	Start knob Startknop Bouton de démarrage Startschalter Manopola di avviamento					㉖	Bass control Lagetonenregelaar Commande des basses Bassregler Controllo dei bassi
						㉗	Treble control Hogetonenregelaar Commande des aigues Hochtonregler Controllo degli alti
						㉘	LS socket LS-aansluiting Douille HP LS-Anschluss Presa altoparlante
						㉙	Aerial + earth Antenne + aarde Antenne + masse Antenne + Erde Antenna + massa
						㉚	Δ F-switch Δ F-schakelaar Commutateur Δ F Δ F-Schalter Commutatore Δ F
						㉛	Rewind Terugspoelen Rebobinage Rücklauf Riavvolgimento
						㉜	Recording Opname Enregistrement Aufnahme Registrazione
						㉝	Cassette ejector Cassette-uitwerper Ejecteur de cassette Cassettenauswerfer Espulsore della cassetta
						㉞	FM Y +
						㉟	

1547 A

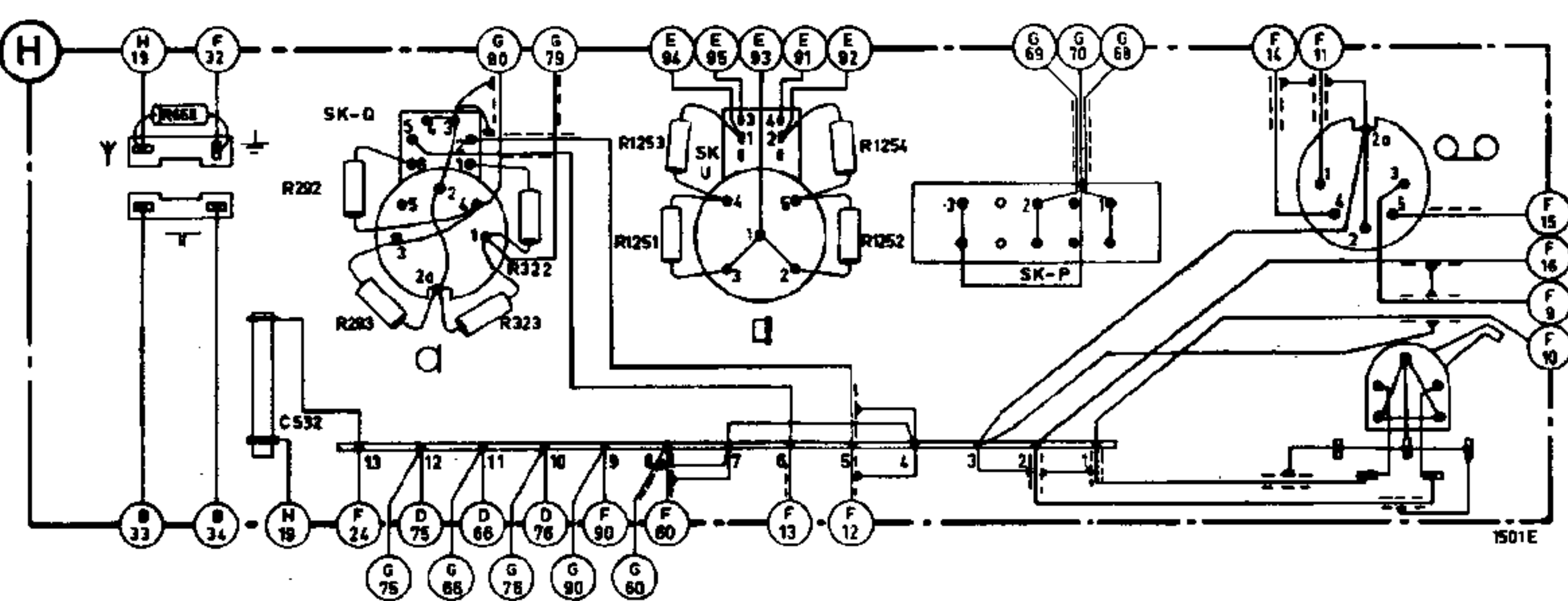
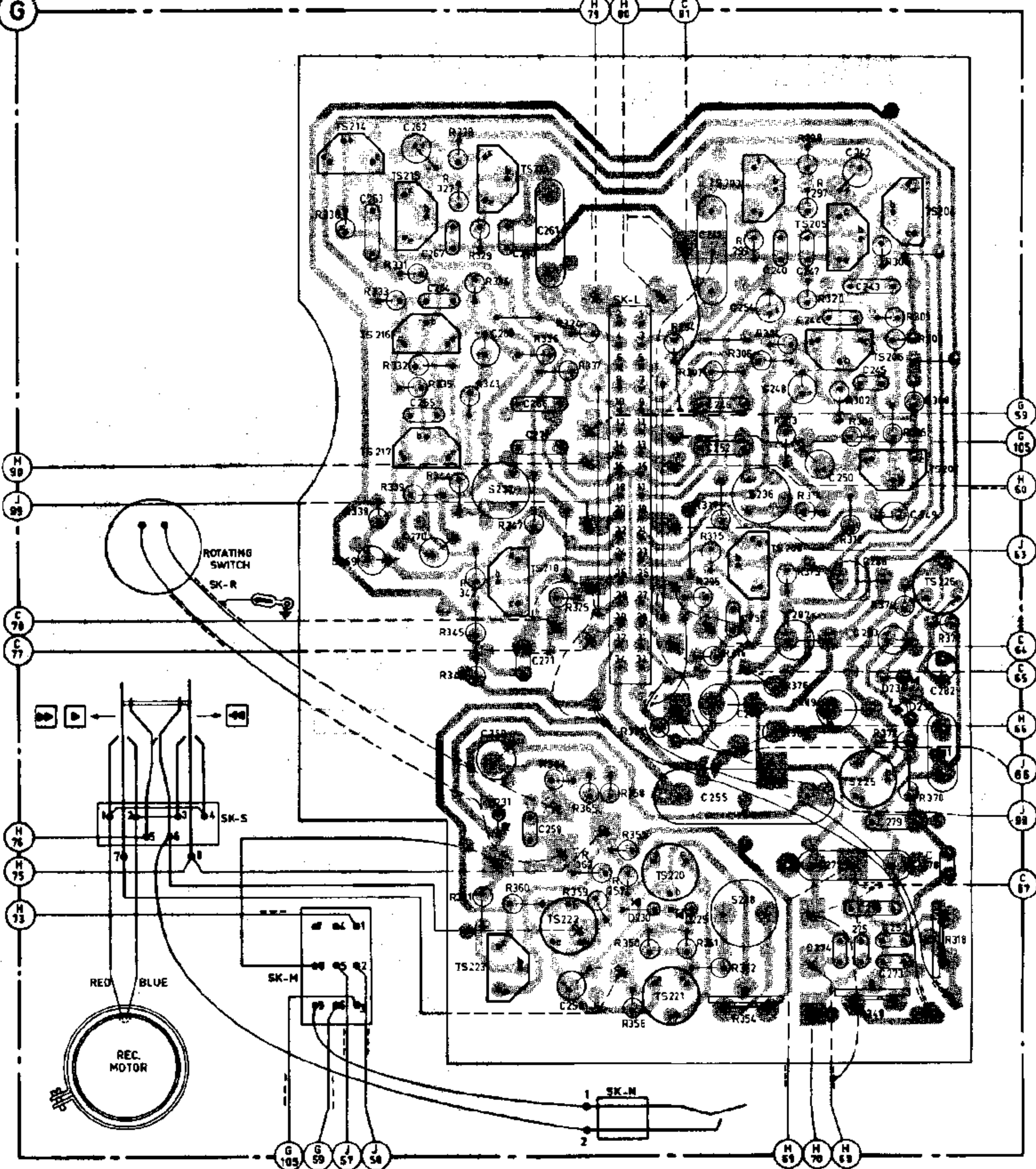
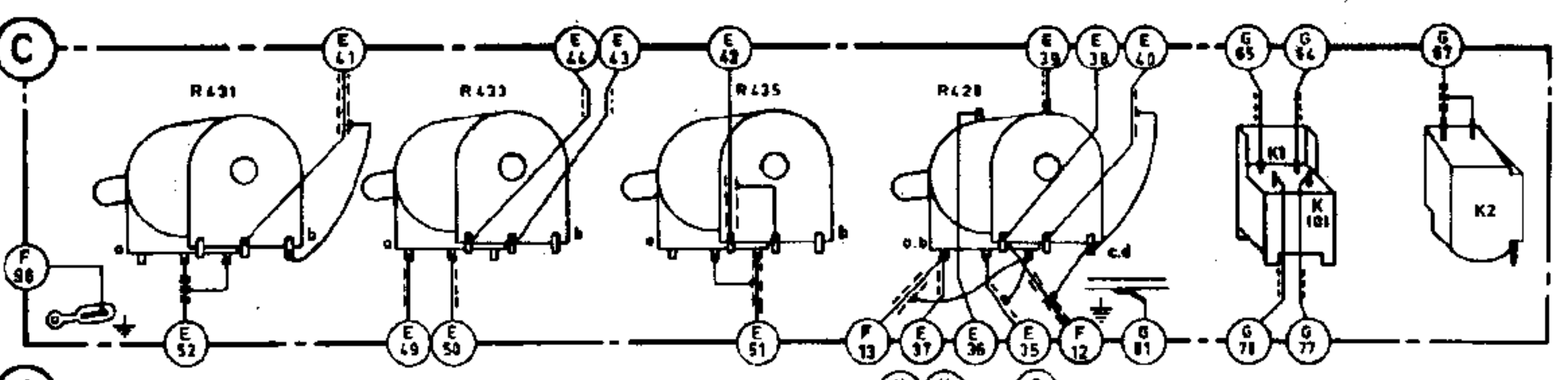
E	431.																	484.
D	624.																	625.
C	257.																	746.
B	600. 659.	601. 624.	640.670.670.636.644.645.647.622.642.653.620.827.823.854.843.849.877.837.839.843.831.	841.835.												851.		
A	807. 904.	759.765.757.767.767.767.752.761.763.755.804.756.754.762.764.748.768.805.758.766.768.																
		781.783.795.787.785.783.778.785.773.776.773.788.787.781.801.789.790.802.788.774.782.772.888.778.786.789.784.770.																782.784.786.788.



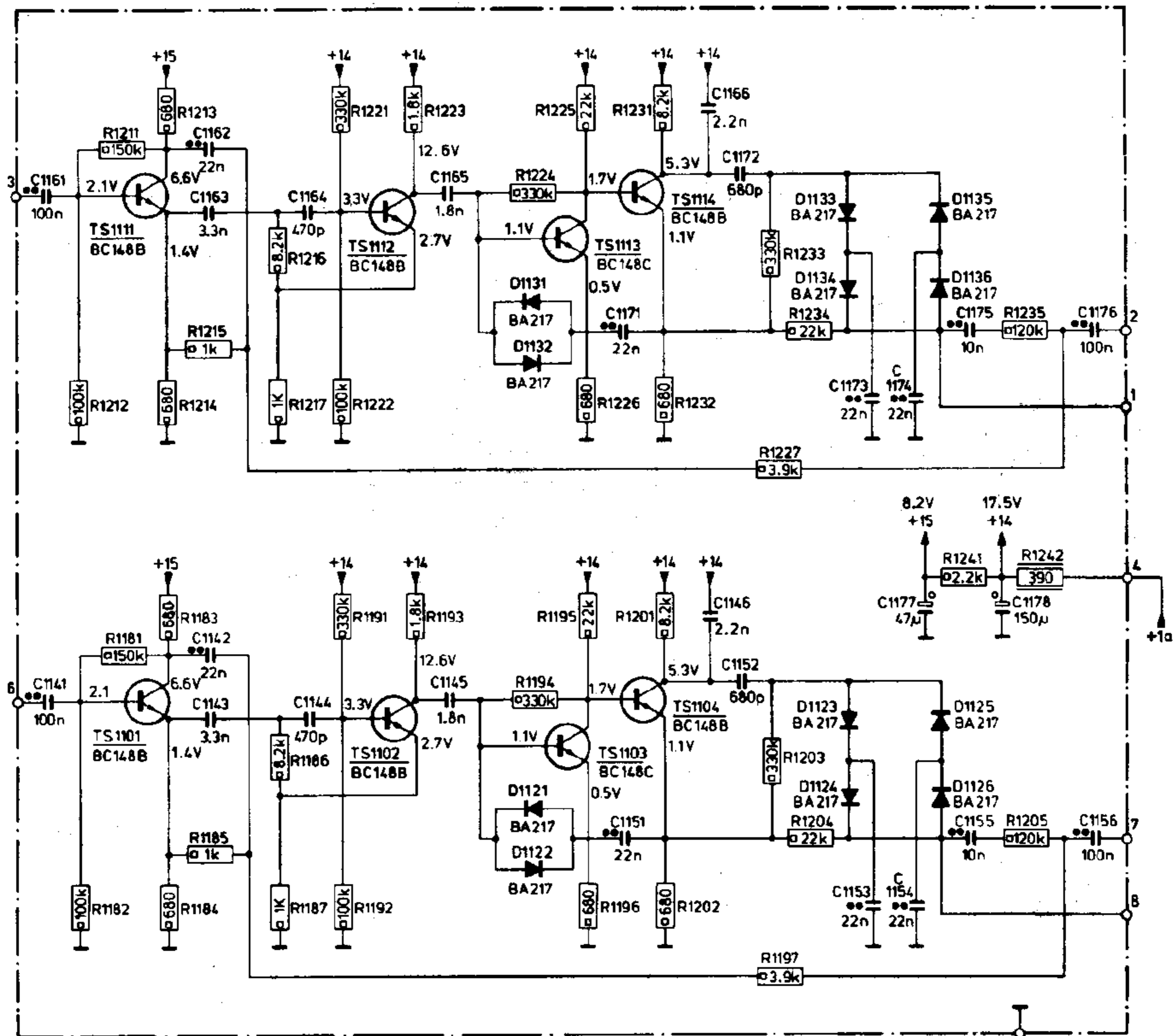
370.471	371. W	C. 914.	U. XNRAB	ML 912.V	KN	P.Y.E.D	Z	R.Y.	S	412, 522.	B	
327. 321+325.	327. 327. 329. 326	324 323 522. 321. 320. 327. 324. 325. 328. 327. 541. 348. 327. 323. 324. 342. 548. 328. 322. 328. 328.	481. 343. 328. 328. 328. 347. 344. 328. 348. 351. 343. 343. 355. 313. 308. 307. 305.	306.	312.						C	
323 322 324. 325. 341. 345. 348. 352. 350. 357. 308. 354. 362. 345+347. 371. 384. 388. 372. 311. 376. 378. 377. 382. 378. 374. 373. 383. 384. 388. 388. 385. 387. 387. 385. 382. 710. 301. 308. 308. 393. 394. 394. 393. 392.												
937	62 01 43	44. 63. 55. 42. 41.	48	54. 35. 47. 48. 53	57	56	48	50.	60.	65. 72. 74. 66. 84.	70. 76. 75. 88. 88	C
644. 726. 363. 684. 687. 689. 673. 958. 680. 682. 970. 984. 972. 888. 989. 872. 672. 671. 670. 678. 740. 723. 730. 738. 735. 732												
957. 962. 938. 684. 773. 683. 685. 681. 686. 682. 708. 726. 702. 701. 704. 703. 705. 710. 708. 711. 708. 712. 713. 716. 727. 720 + 724. 728. 714. 717. 806												
92 91. 123. 80. 89. 90. 88. 97. 86. 85. 85. 86. 100. 110. 89. 108. 153. 112. 114. 111. 113. 101. 102. 115. 116 + 120. 102. 104. 148. 147. 138. 127. 125. 124. 136. 138. 144. 146. 145. 122. 121. 124 + 123. 148 + 156.												



S	237.				238 236.				S
C	762+764. 767. 764.				260 761				C
C	269.				270.265.				C
C	259 264 266 272 271.				286-289.244+248. 248+252.				C
C	258 256.				755.				C
R	681.				433. 330.				R
R	333. 331.				377-328. 435 334.				R
R	338.				332. 339. 335. 342-347.				R
R	336 324 325 332.				377. 794. 295 312+317. 380 320.				R
R	888.				1022. 992. 1023.				R
R	983. 361.				260. 34.6.383.385.				R
R	354-359. 350-352. 729.728.				348.				R
R	370. 318.								R



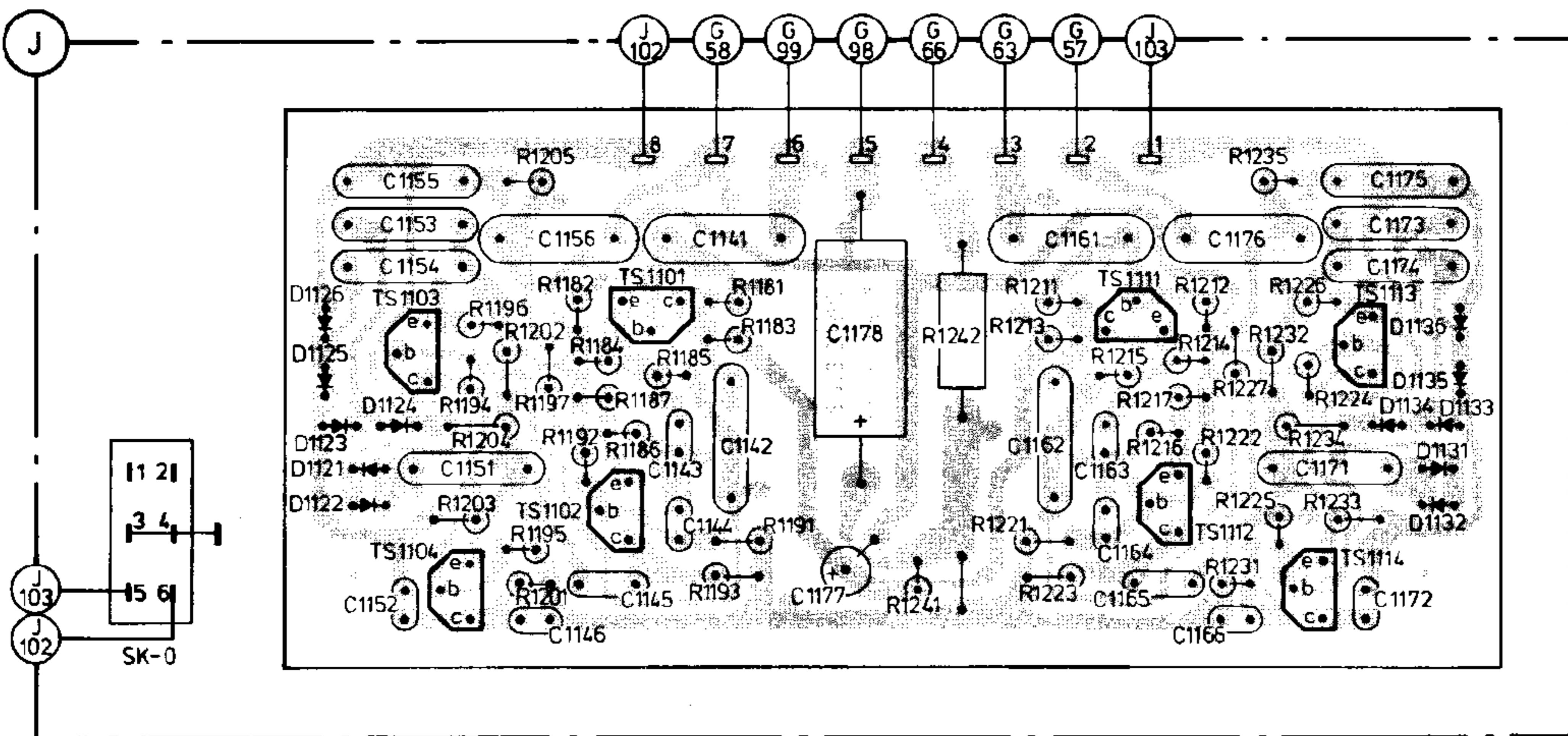
C	1141	1142	1143	1144	1145	1151	1146	1152	1153	1154	1177	1155	1178	1156	C							
C	1161	1162	1163	1164	1165	1171	1166	1172	1173	1174	1175	1176	1176	1176	C							
R	1182	1181	1183	1184	1185	1186	1187	1191	1192	1193	1194	1195	1196	1201	1202	1197	1203	1204	1241	1205	1242	R
R	1212	1211	1213	1214	1215	1216	1217	1221	1222	1223	1224	1225	1226	1231	1232	1227	1233	1234			1235	R



THE VOLTAGES HAVE BEEN MEASURED IN POSITION "PLAY-BLACK"
 ELECTRONIC VOLTMETER

1504 D

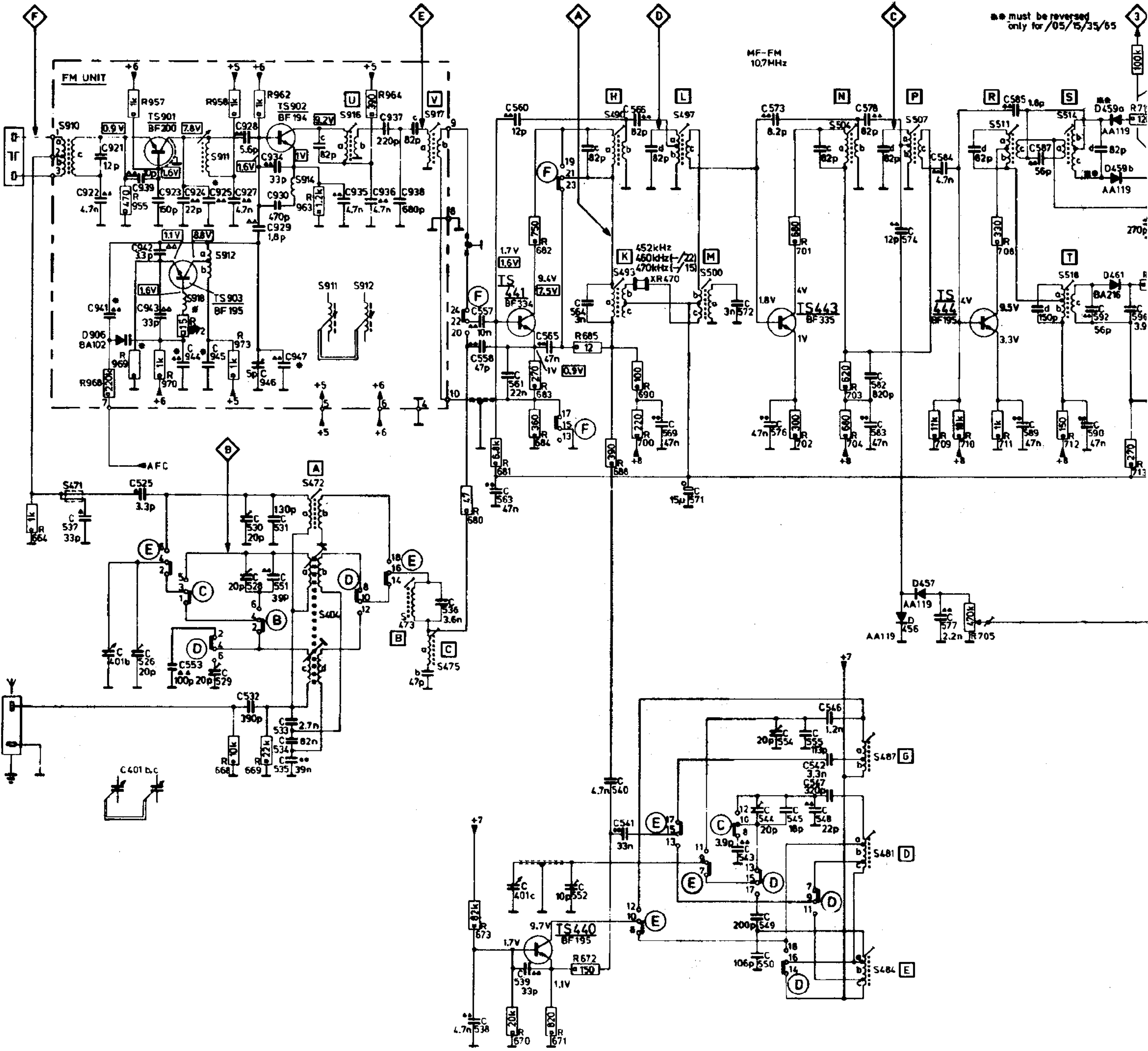
C	1155	1153	1154	1152	1151	1156	1146	1145	1143	1144	1141	1142	1178	1177	1161	1162	1164	1163	1165	1166	1176	1171	1175	1173	1174	1172
R				1196	1194	1202	1205	1197	1182	1184	1185	1181	1183	1242	1211	1213	1215	1214	1217	1212	1235	1232	1226	1224		
R				1203	1204	1195	1201	1192	1187	1186	1193	1191	1241	1221	1223	1216	1222	1227	1231	1225	1234	1233				



1505B

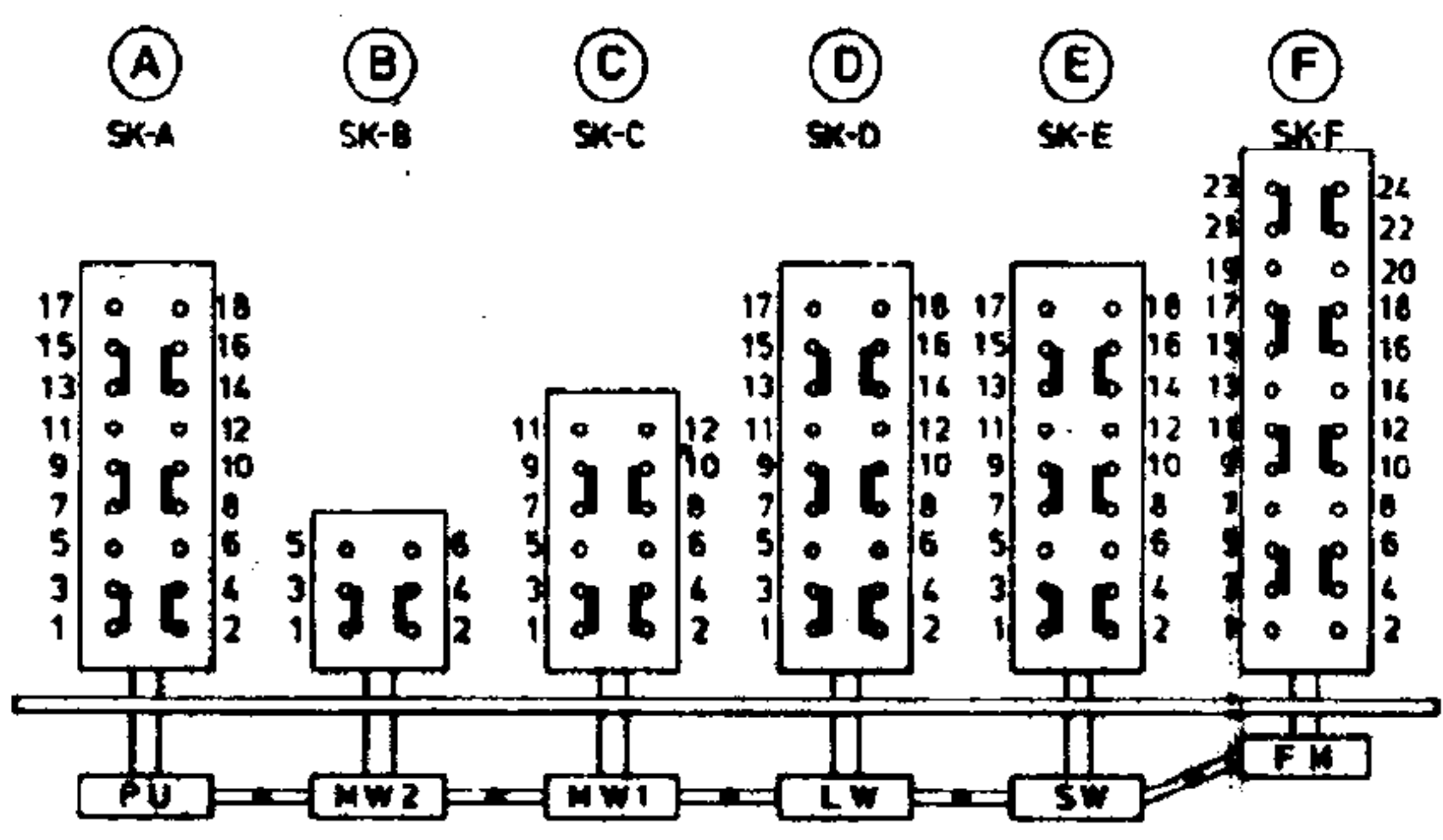
CS33691

S	910	918	911	912	914	A	404	U	B	V	C		H	K	L	M		N		F	G	D	E	R		ST																									
C	822	921	941	943	923	+925	944	+947	927	+930	934		935	+936				557	558	560	561	565	564		566	569		572	573	576		578	582	583	574	584		585	589	587	580	582	596								
R	537	526	525	553	529	530	528	531	551	532	+535		536	538	563	539		552	540	541		571			554	555	542	+550		577																					
R	968	969	955	957	970	972	958	973	962	963	964		964		681	682	+684	685	688	690	700																														
R	664				668	669							660	673	670	671	672																																		

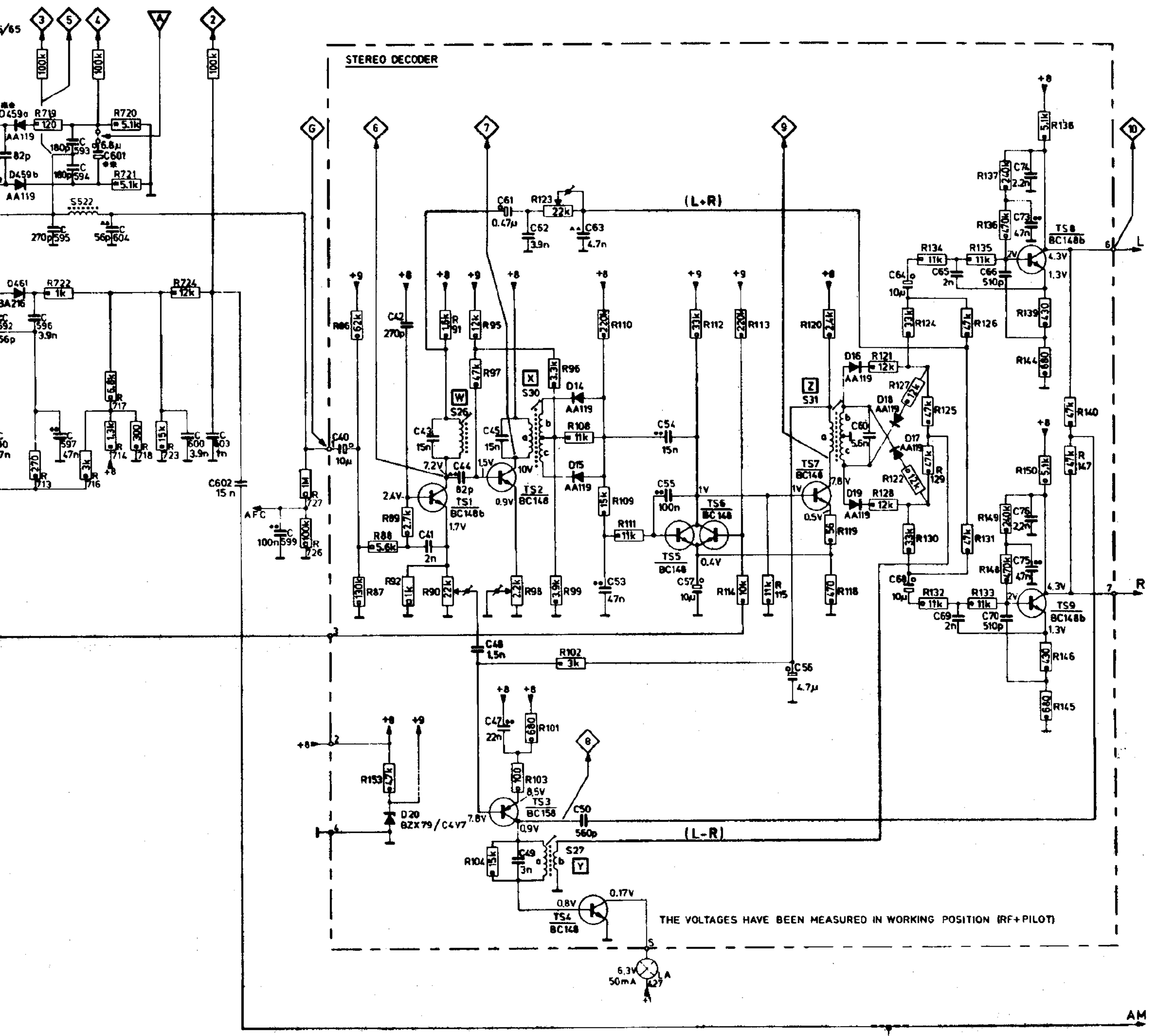


	87.5-104MHz	87.5-108MHz
S918	Ferroxcubebead	-
R969	15k	520
C925	39p	-
C941	6.8p	10p
C944	4.7n	1.8n
C945	4.7n	1n
C947	39p	10p

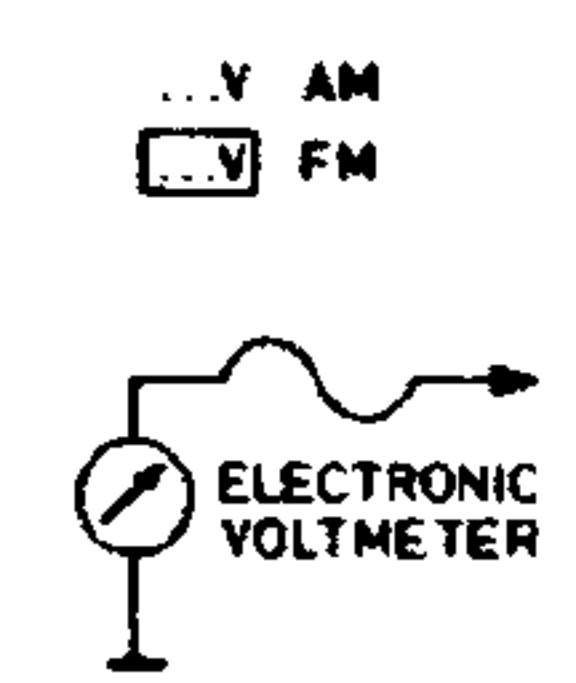
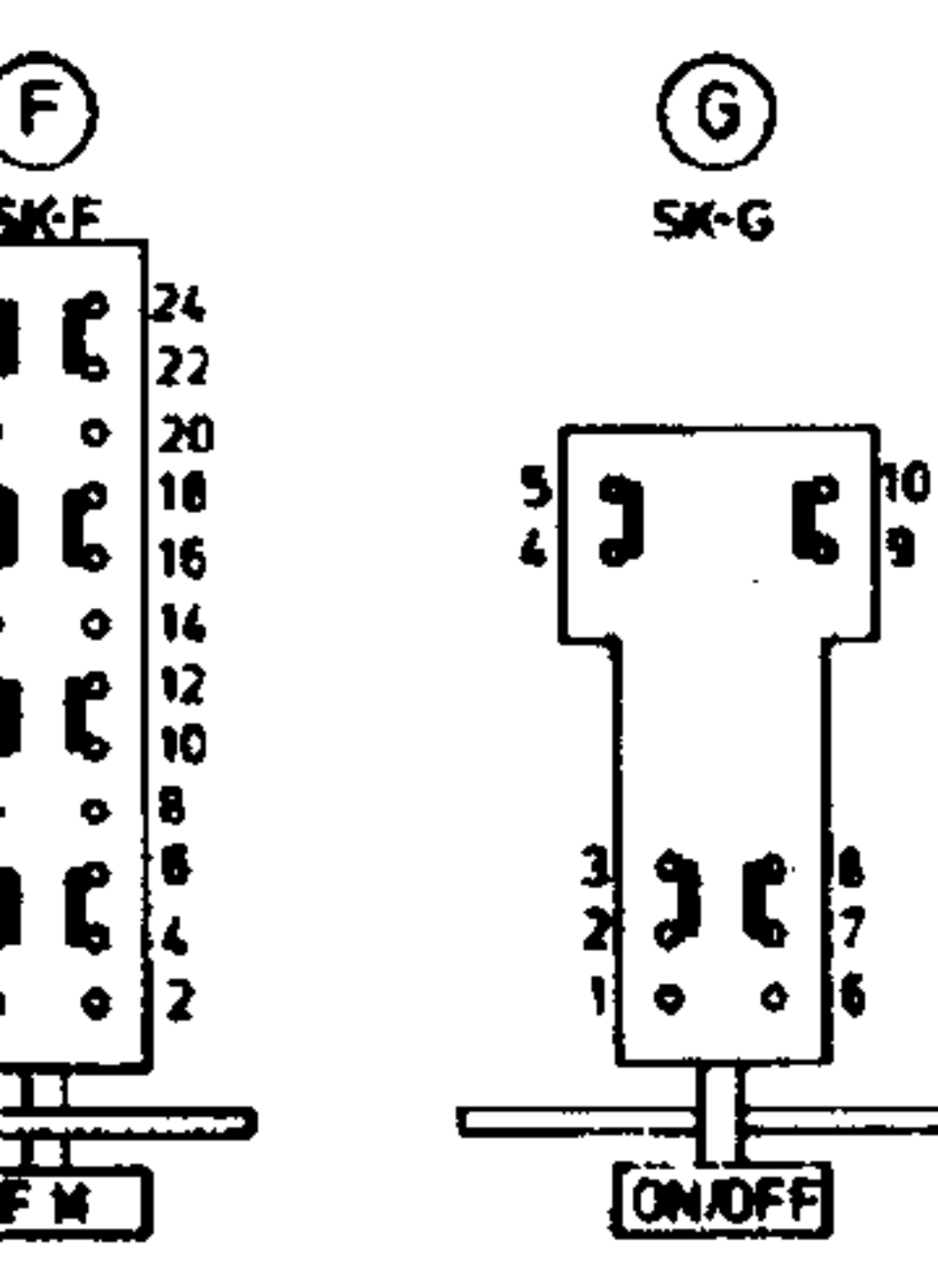
LW : 148.5 - 350 kHz (2030 - 870m)
 MW1 : 515 - 1415 kHz (583 - 212 m)
 MW2 : 1385 - 1622kHz (217 - 185m)
 SW : 589 - 9.87MHz (50.9 - 30.6m)
 FM : 87.5 - 108MHz



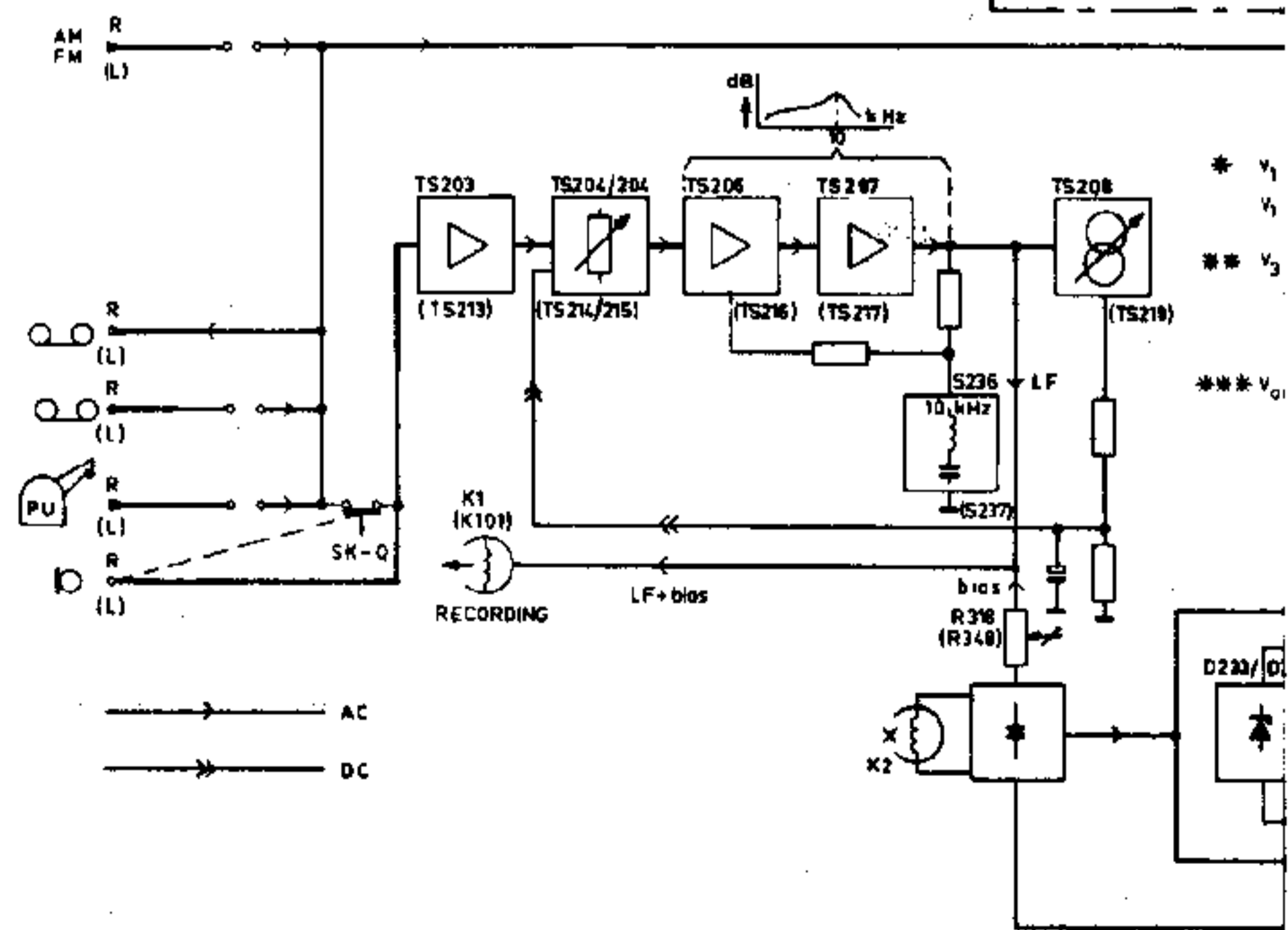
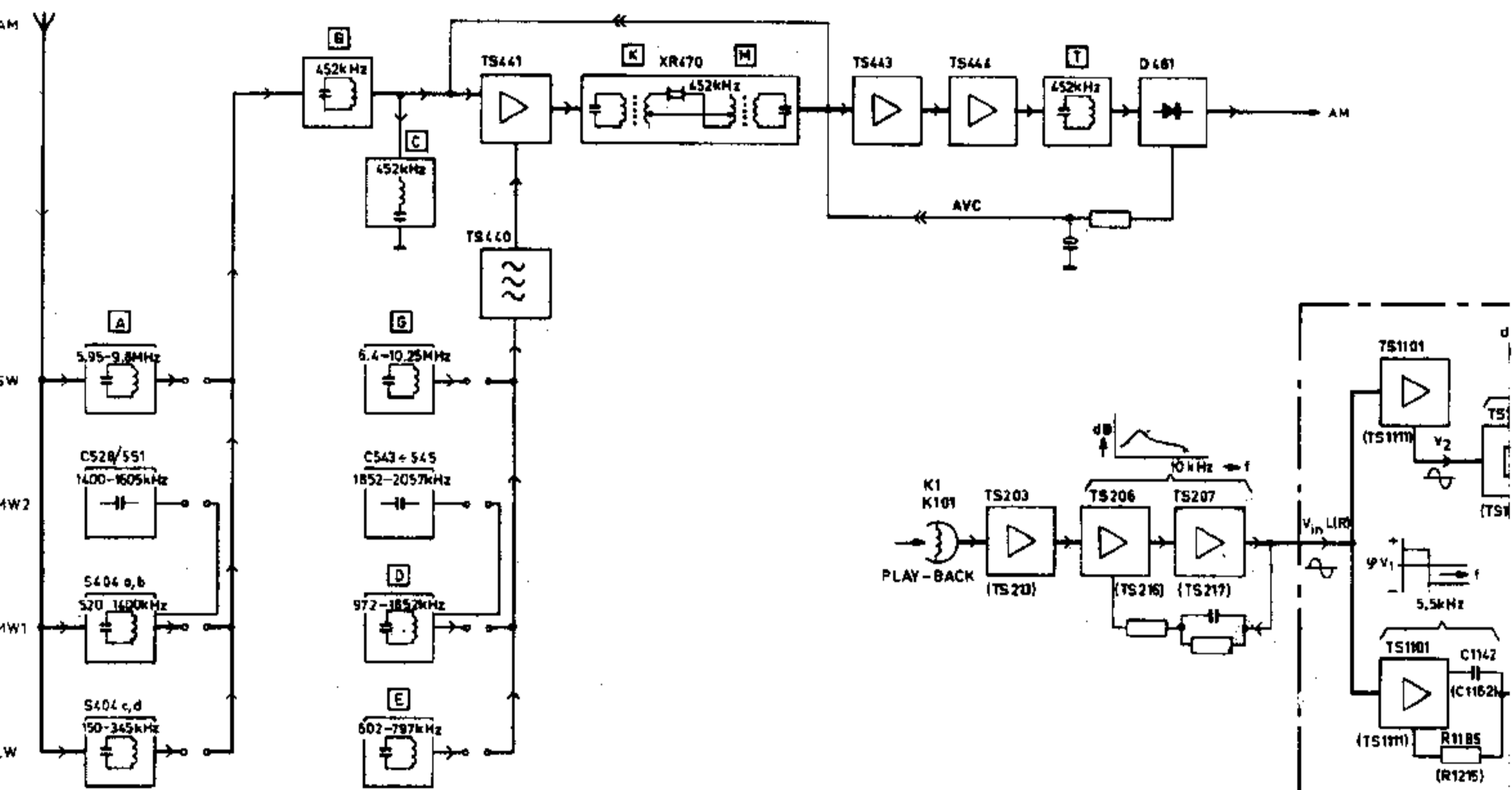
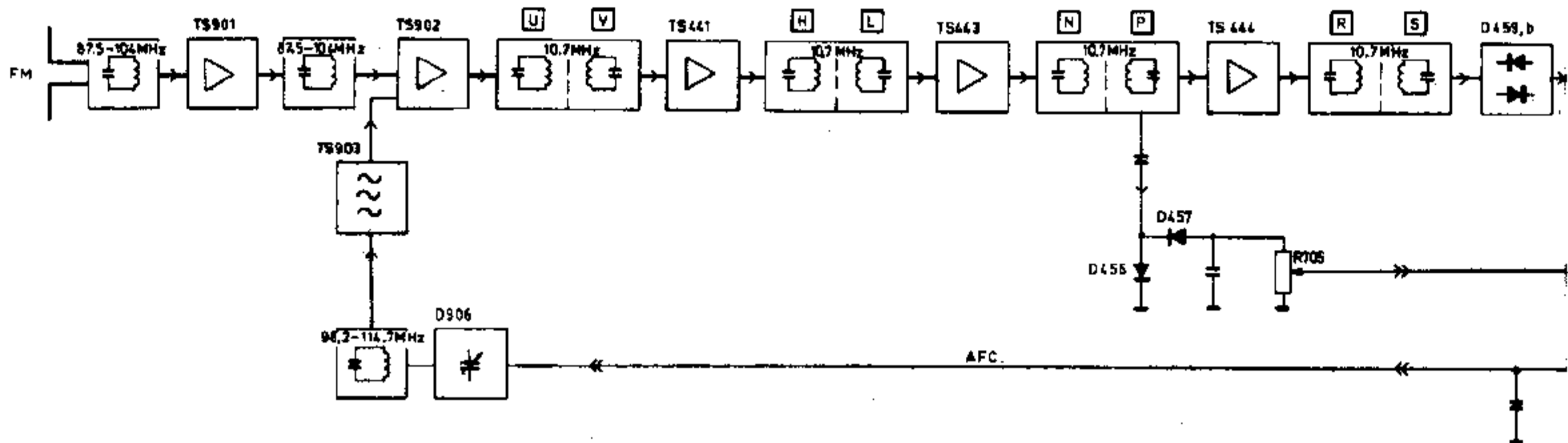
522	W	X	Y	Z
582 596 595 597 593 594 601 604 600 603 602 599	42	43	45 61 62	63
	40	41	44 48 47 49	50 53
713 719 722 716 717 714 720 721 718 723 724	777	86	91 95 97	123 96 108 110
	726	87+89 83	92 90	104 98 103 101 99 102 109 111
				114 115 119 118 128 130 122 132 129 131 133 145+150
				60 64 65 66 74 73
				68 69 70 76 75
				121 124 127 134 125 126 135+139 144 140

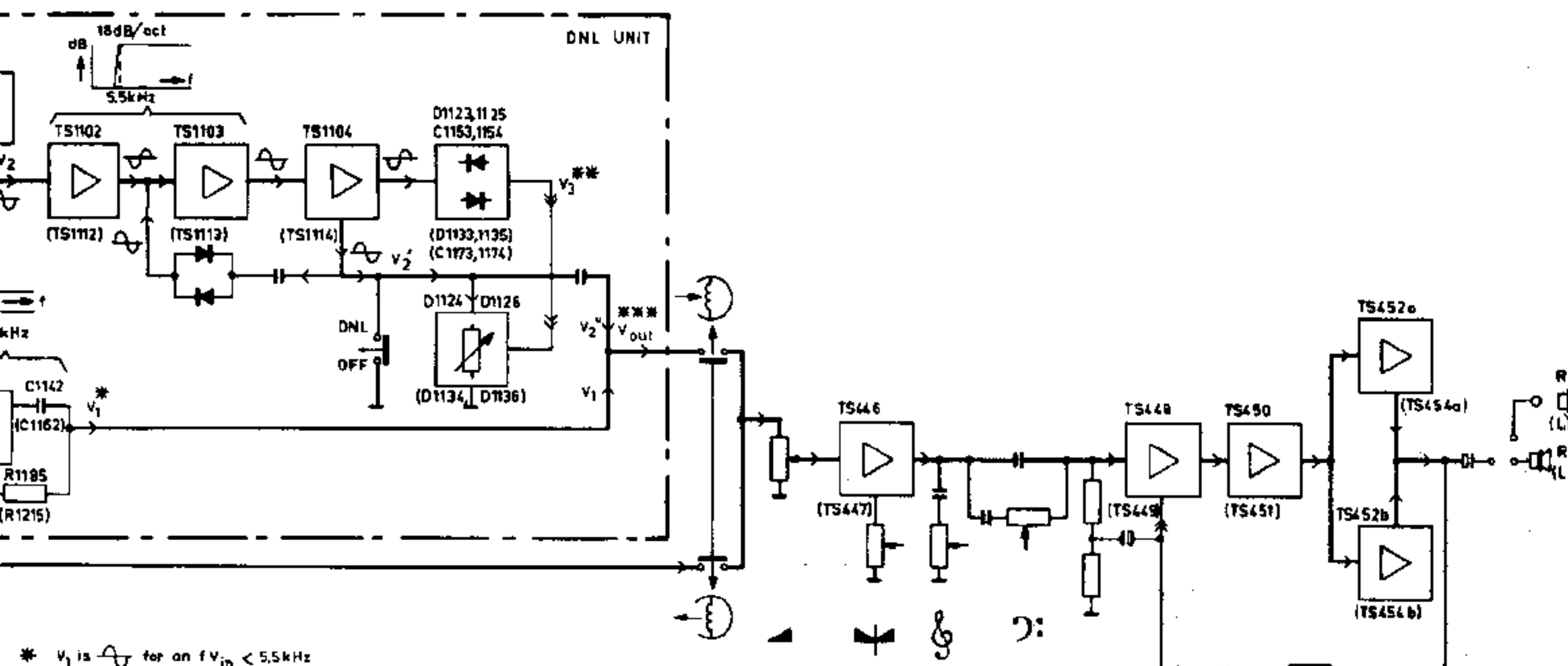
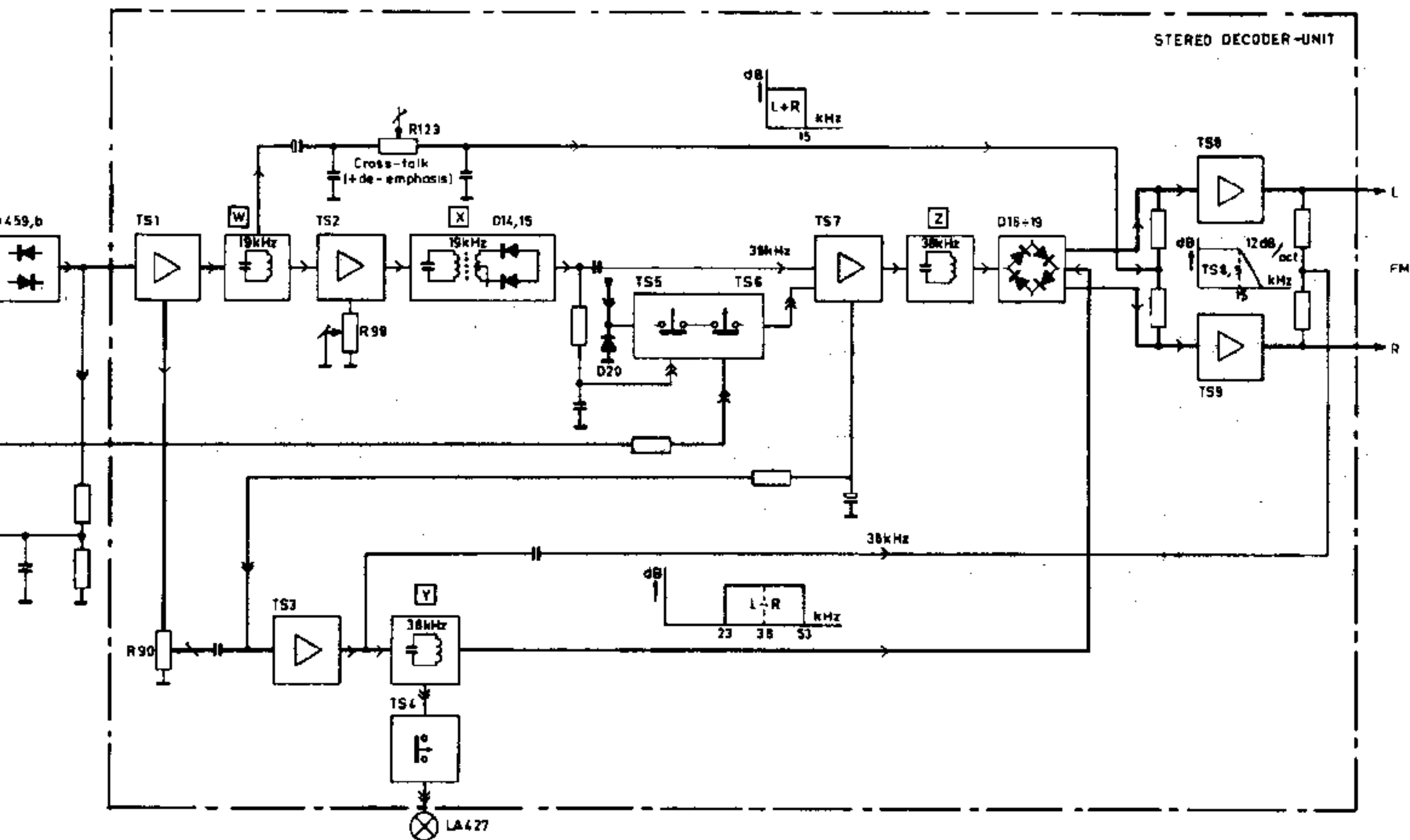


1503E /A



- Carbon resistor E24 series 0.125 W 5%
- Carbon resistor E12 series 0.25 W < 1 MΩ 5% > 1 MΩ 10%
- Carbon resistor E12 series 0.5 W < 1.5 MΩ 5% > 1.5 MΩ 10%
- Carbon resistor E12 series 1 W < 2.2 MΩ 5% > 2.2 MΩ 10%
- Ceramic capacitor "Pin-up" 500 V
- Plate ceramic capacitor
- Flat-foil polyester capacitor
- Miniature electrolytic capacitor
- Tubular ceramic capacitor 500V

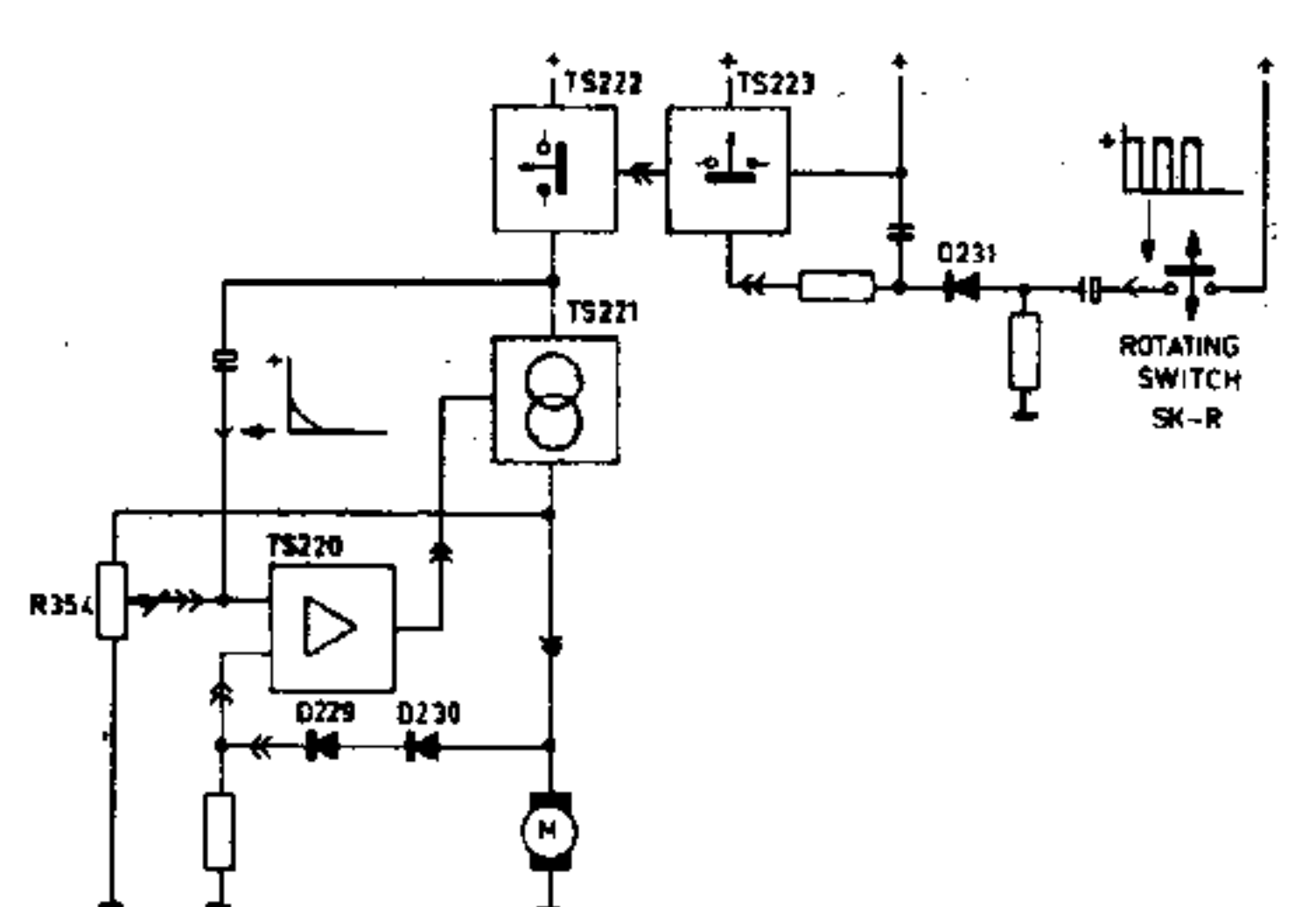
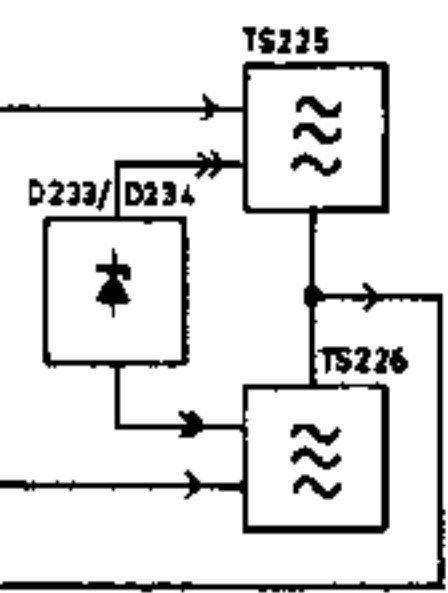




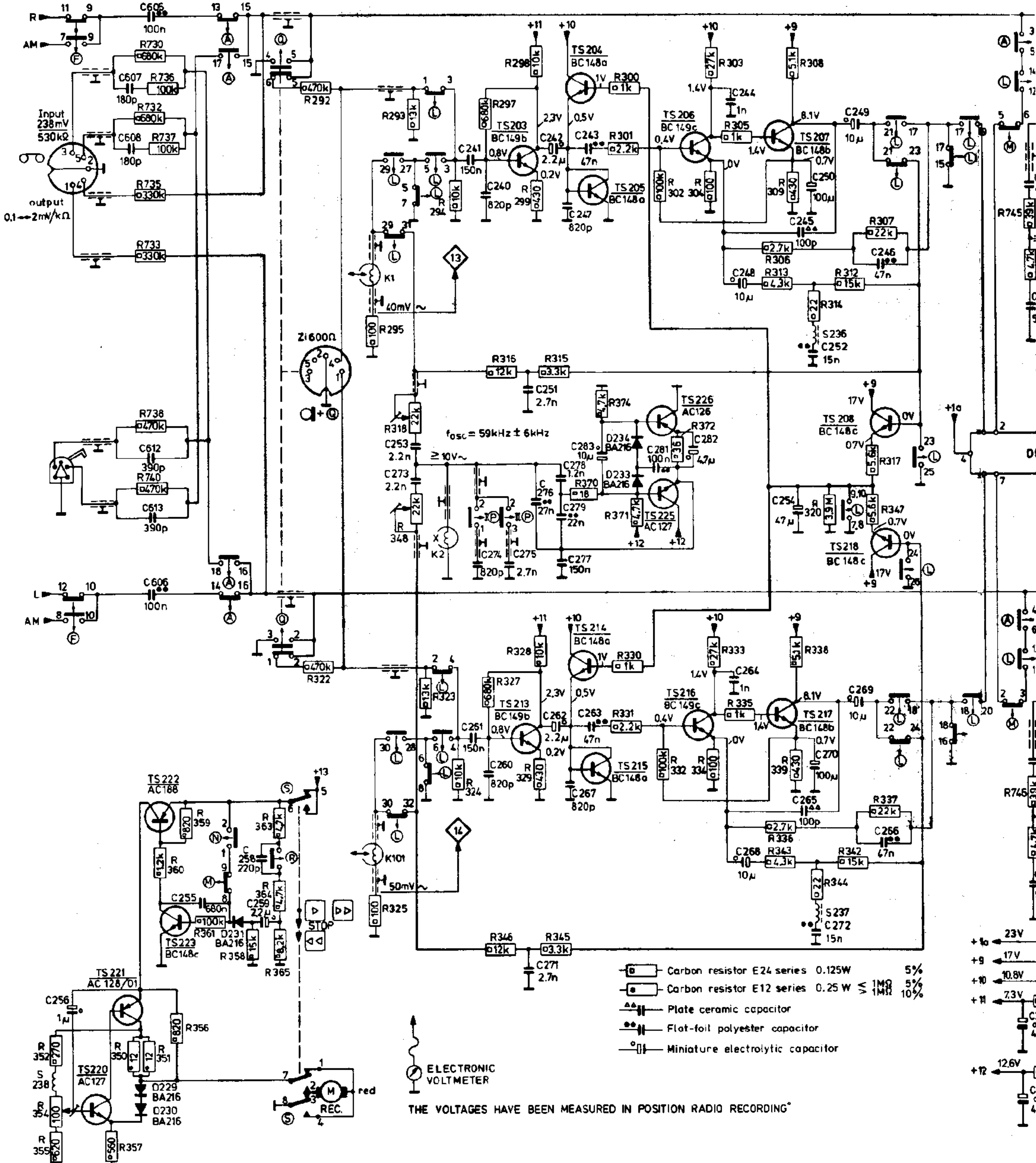
* V_1 is $\frac{1}{\sqrt{2}}$ for an $f_{in} < 5.5\text{kHz}$
 V_1 is $\frac{1}{\sqrt{2}}$ for an $f_{in} > 5.5\text{kHz}$

** V_3 is only present if $V_{in} > -38\text{dB}$ and $f_{in} > 5.5\text{kHz}$
 If $V_3 = 0V \rightarrow V_2'' = V_2' = V_1$ (max. working of DNL)

*** $V_{out} = V_2'' + V_1$ for $f_{in} > 5.5\text{kHz}$ and $V_{in} < -38\text{dB} \rightarrow V_{out} = DV$
 for $f_{in} < 5.5\text{kHz}$ (V_2 and V_3 not present) $V_{out} = V_1$

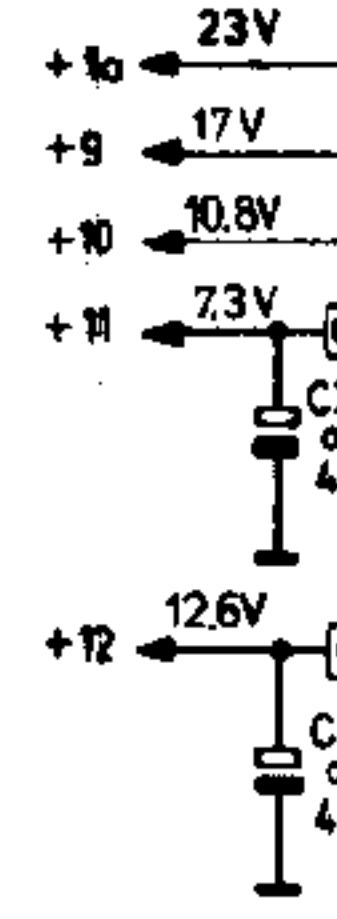


S	238.	236, 237	241, 240, 251, 242, 247, 243,	244, 248,	245, 250, 252, 249, 246,	61
C	605, 607, 608,		274, 275,	276 + 279,	283,	1
C	606, 612, 613	253, 273,	281,	282,	254,	2
C	256	255, 258, 259,	281, 260, 271, 262, 267, 263,	284, 268,	265, 270, 272, 269, 266,	2
R	730, 732, 735, 733,	292,	297, 298, 299,	301, 300, 302, 304, 303, 305,	306, 313, 309, 308, 314, 312, 307,	745, 74
R	738, 740, 736, 737,		316, 346, 315, 370, 374, 371,	372,	320, 317, 349,	746, 74
R	352, 354, 355, 357, 350, 351, 356, 358 + 361, 363 + 365,	322,	325, 323, 324,	327, 346, 328, 329, 345,	331, 330, 332, 334, 333, 335,	336, 343, 338, 338, 344, 342, 337

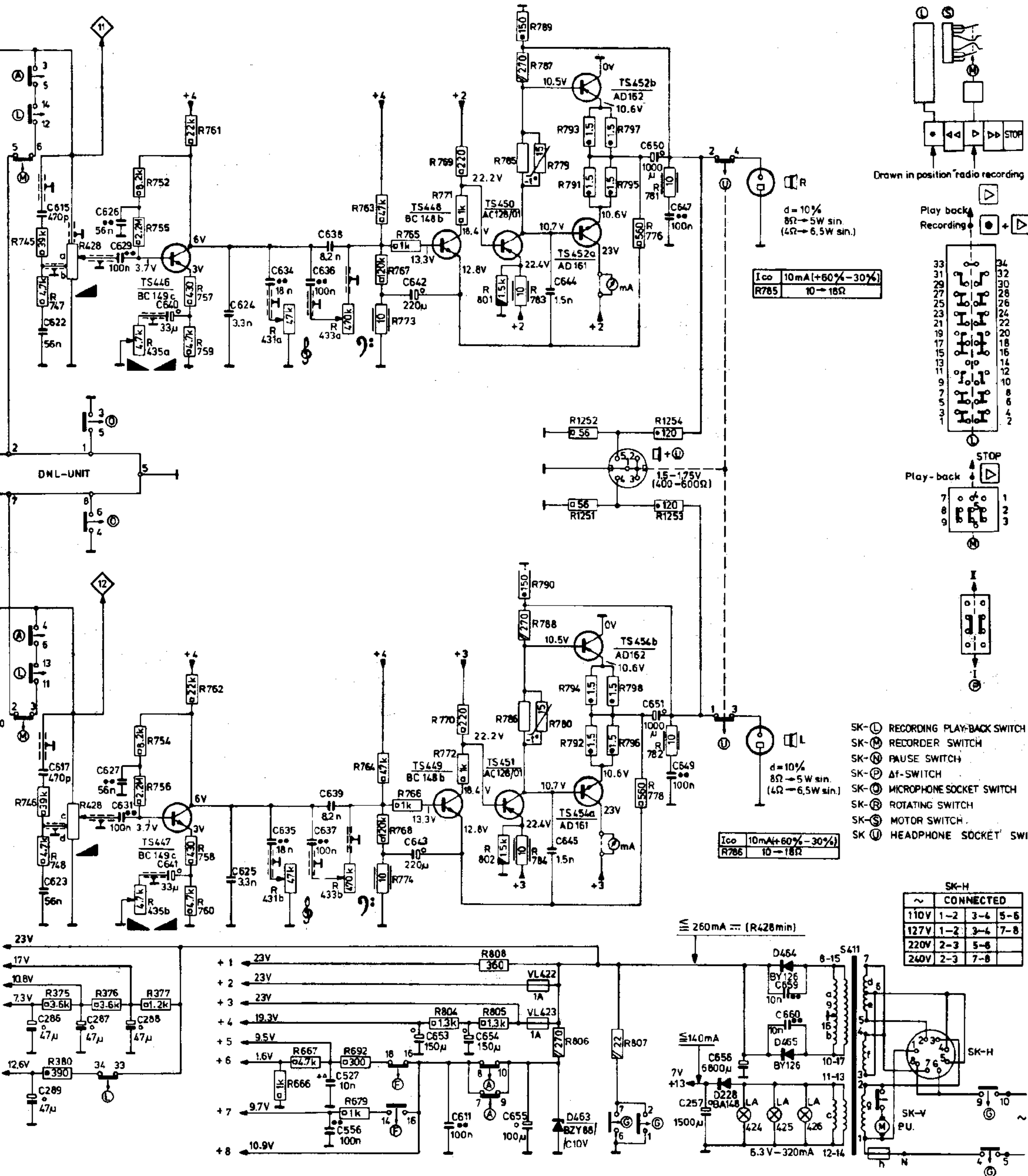


- ⊠ Carbon resistor E24 series 0.125W 5%
- ⊠ Carbon resistor E12 series 0.25W > 1MΩ 5% > 1MΩ 10%
- ☐ Plate ceramic capacitor
- ⊞ Flat-foil polyester capacitor
- ⊞ Miniature electrolytic capacitor

THE VOLTAGES HAVE BEEN MEASURED IN POSITION RADIO RECORDING



615	622	628	639	640	624	634	636	638	642	412	644	650	647	S	
617	623	627	631	641	625	635	637	639	643	645	651	649	C		
286	289	287	288		556	527	653	611	654	655	257	656	658	C	
745	747	428a-b	435a	755	752	761	757	759	431a	433a	763	767	773	R	
746	748	428c-d	435b	756	754	762	758	760	431b	433b	764	768	774	R	
375	380	376	377		666	667	692	679	804	806	805	806	907	C	
														1251	1253



I _{co}	10mA (+60% - 30%)
R785	10 - 18Ω

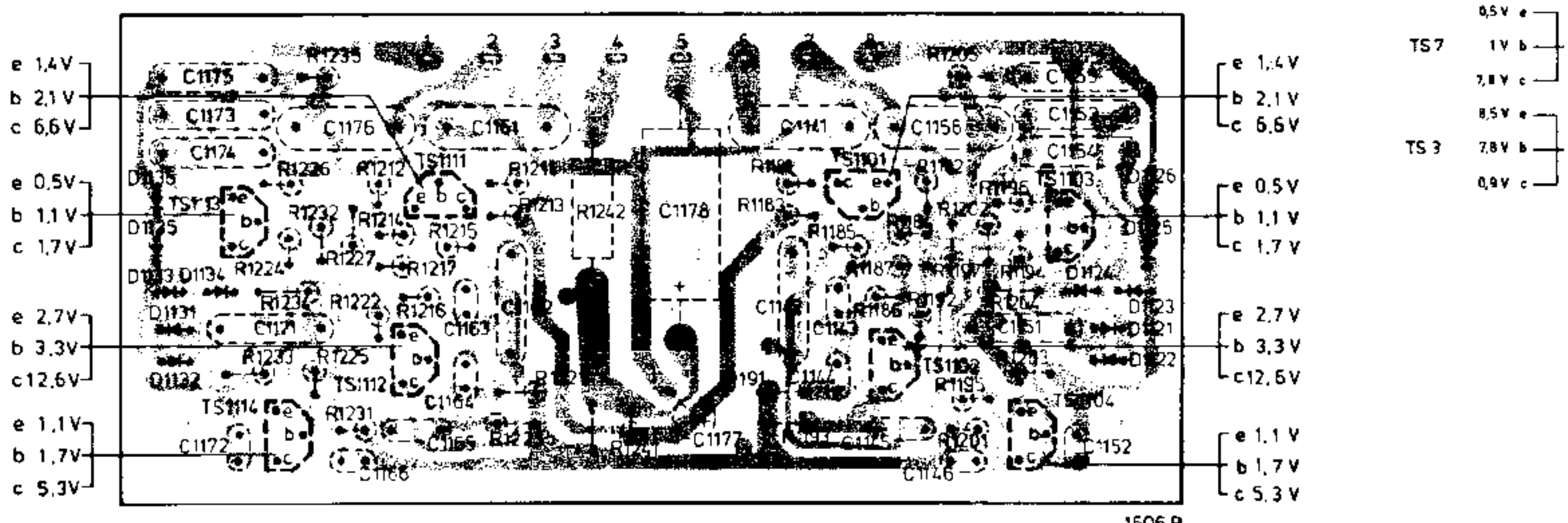
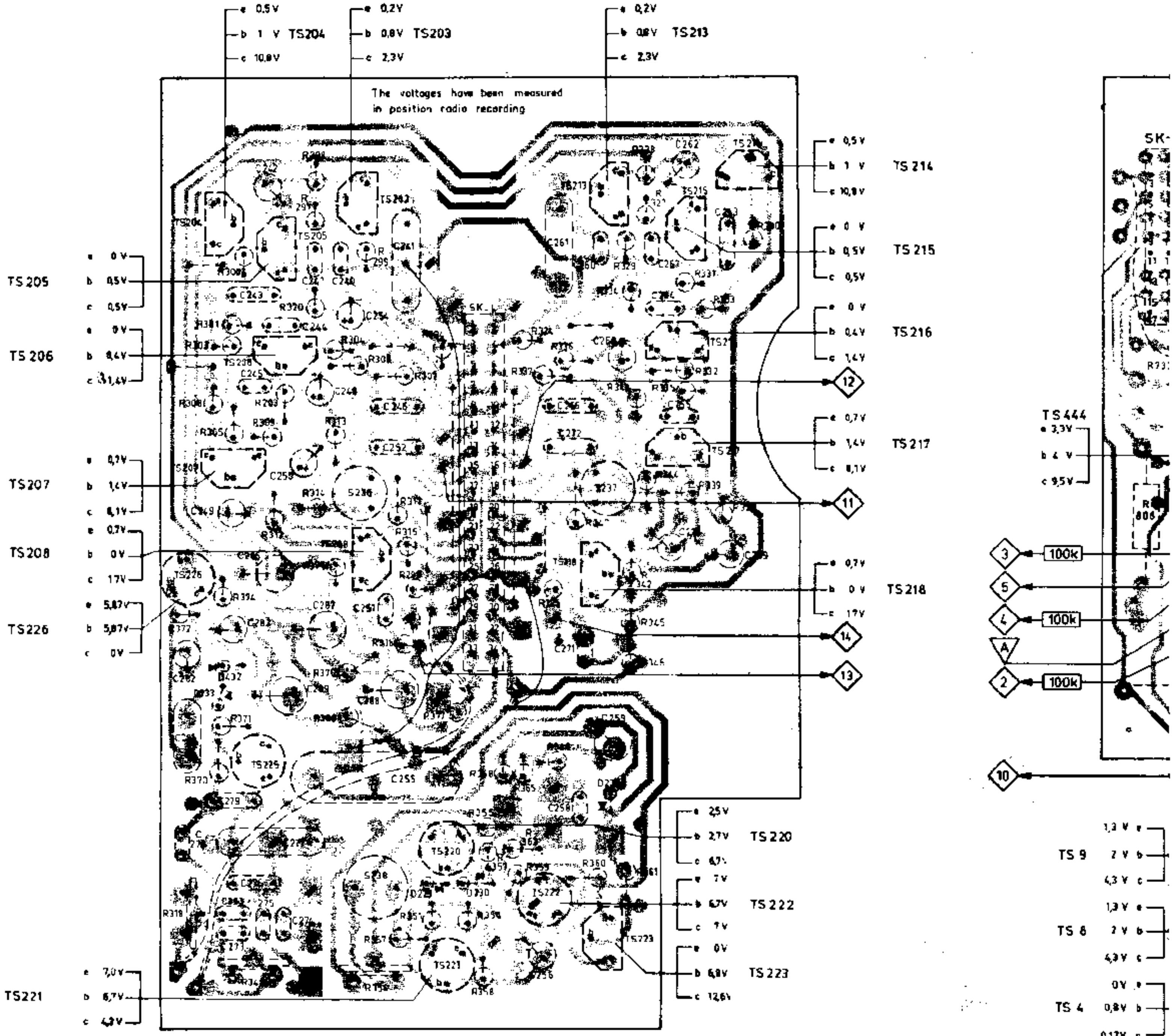
I _{co}	10mA (+60% - 30%)
R786	10 - 18Ω

- SK-Ⓛ RECORDING PLAY-BACK SWITCH
- SK-Ⓜ RECORDER SWITCH
- SK-Ⓟ PAUSE SWITCH
- SK-Ⓢ AF-SWITCH
- SK-Ⓜ MICROWHOLE SOCKET SWITCH
- SK-Ⓡ ROTATING SWITCH
- SK-Ⓢ MOTOR SWITCH
- SK-Ⓛ HEADPHONE SOCKET SWITCH

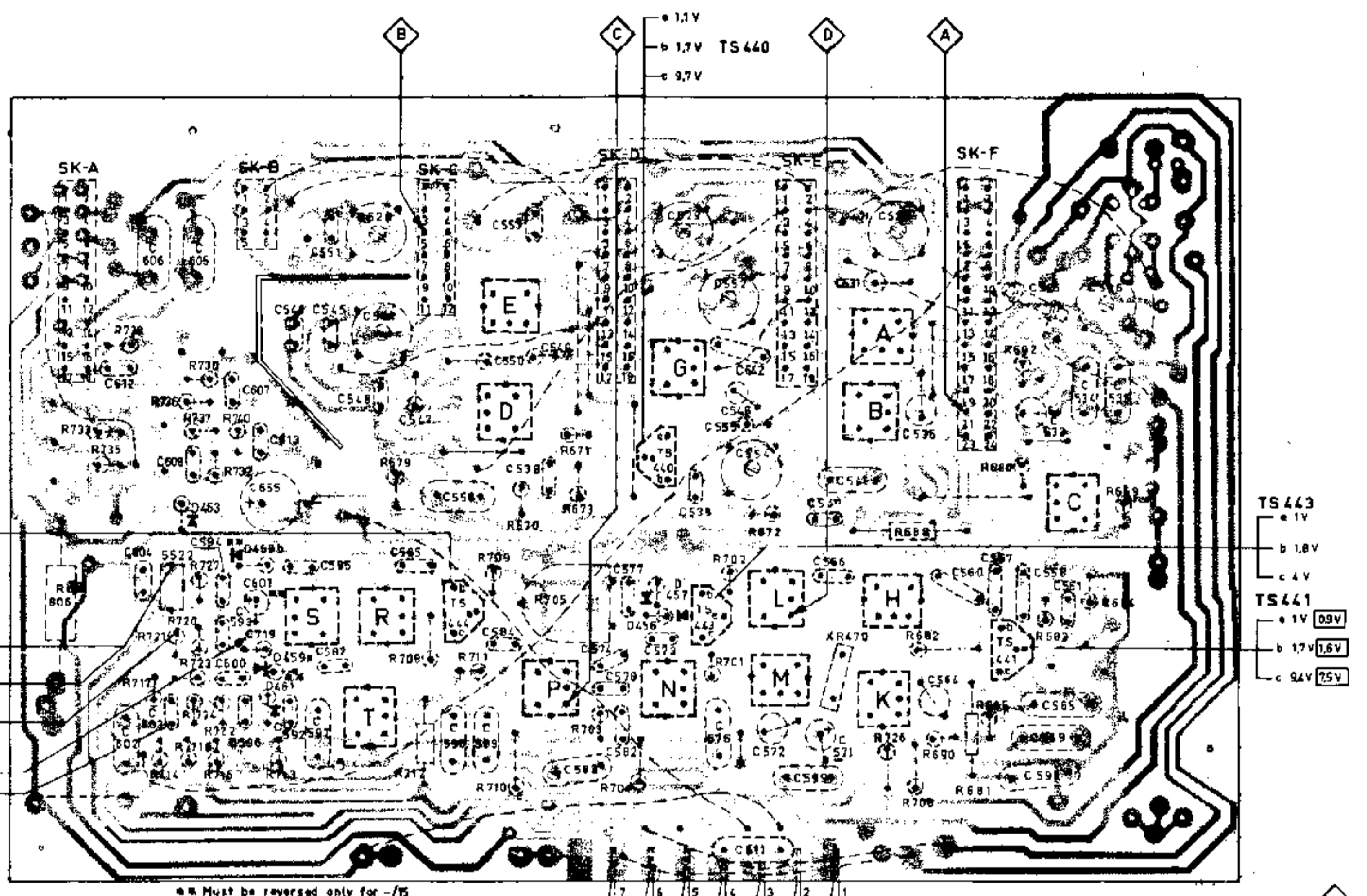
~	SK-H CONNECTED		
110V	1-2	3-4	5-6
127V	1-2	3-4	7-8
220V	2-3	5-6	
240V	2-3	7-8	

S	216, 238	237	S
C	243, 267, 247, 240, 261	261, 260, 262, 267, 262-266	C
C	281+283, 248+252, 244+246, 286+289	271, 272, 268, 260, 258, 265, 270, 260	C
C	253, 272+279	255, 254, 258	C
R	288, 297-299	334, 327+329, 321, 333, 330	R
R	172, 171, 174-176, 301-309, 320, 300, 312-311, 295, 294, 377	337, 375, 324, 336, 342-347, 335, 338, 332, 330	R
R	318, 378, 348	350-352, 354+359, 365, 363, 346, 360, 361	R

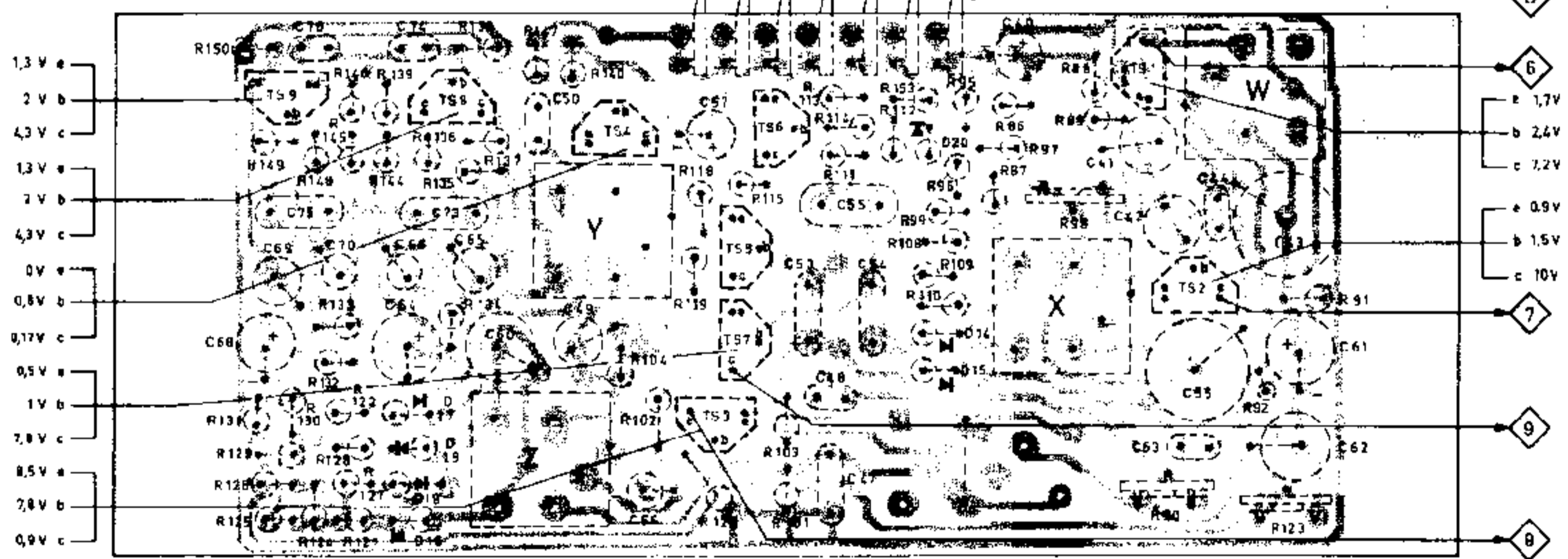
S	
C	
C	
C	
R	733
R	806.7
R	



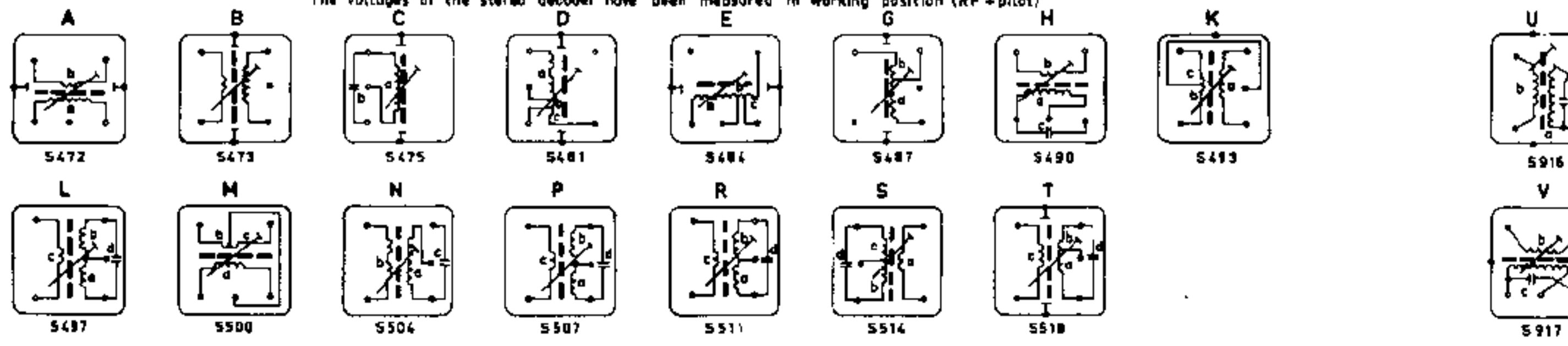
S	412	522	S	TR	Z	DEYP	N.S.	LM	B.A.K.N.X.	C	W		
C	612 806	605 807 808 613 655 543 545 551 546 578 544 547 556 556 536 549					529 539 552 546 542 554 555		540 541 531 530 538		525 533 534 526 535		
E	602 603 604 593 600 596 601 719 592 595 597 587						585 590 589 584	583 576 578 582 577 573	576 611 572 599 586 571		564 560 557 558 593 569 565 561		
F		68 69 75 76 70		64 66 74 73 65	60	50	553 49	56	57	53 48 47 55 54	40	41 42 55 63 44 43 61 62	
G	733	735 738 736 737 730 732	740 739		679		670	671 673		672	688	692 680	689
H	606 717 714 718 720 724 727 716		713			712 708 711 709 710		705 703 704	701 702		726 700 682 690 681 685	683	684
I													148 150 124 133 121 122 145 146 144 139 136 134 135 137 138 147 140 104 102 118 120 115 103 101 113 111 114 112 153 109 99 110 108 96 95 87 86 97 98 88 89 90 92 123 91



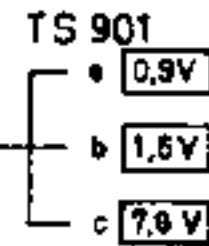
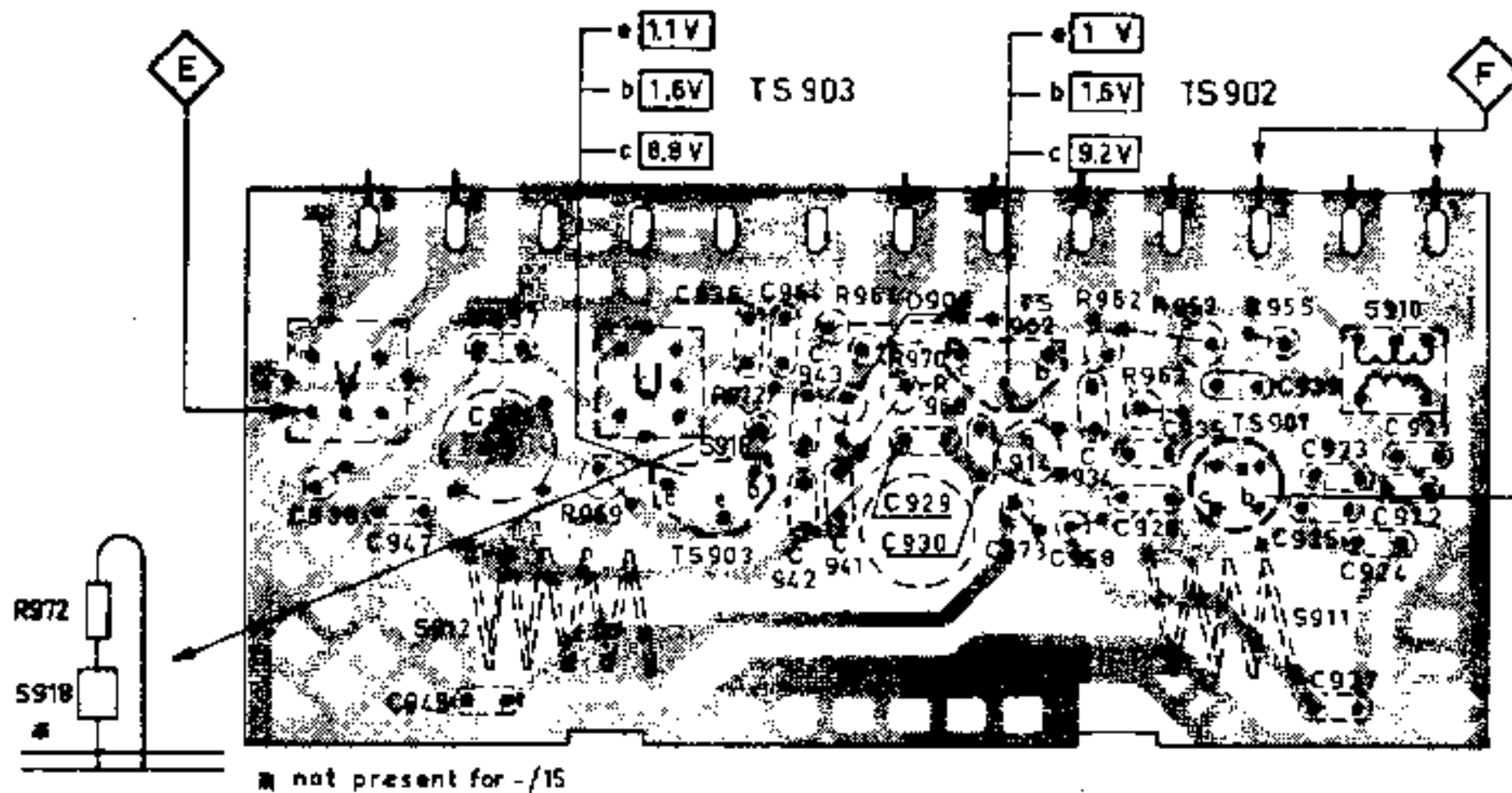
*R Must be reversed only for -/TS



The voltages of the stereo decoder have been measured in working position (RF+pilot)



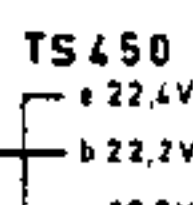
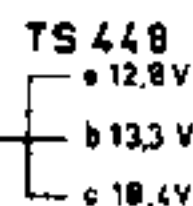
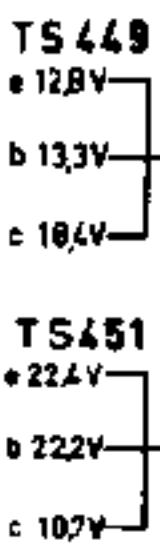
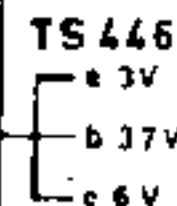
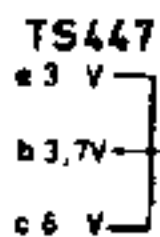
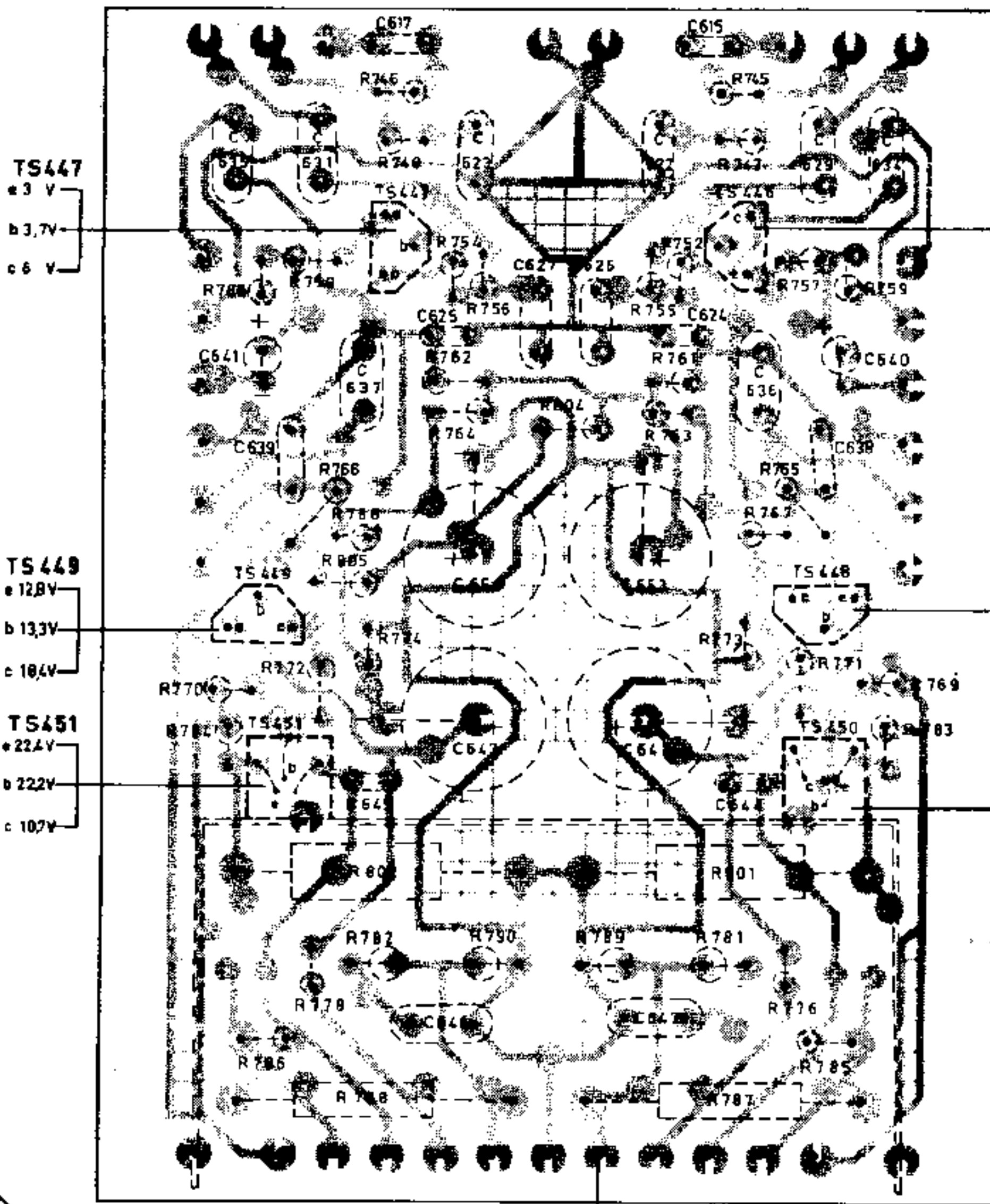
V	912	U	910	914	910.	S
938.947.945.948.937	936.944.942.943.941.929.930.973.958.934.935.920.939.925.927.923.924.822.821					C
						C
						C
675.641.625.631.645.639.637.617.649.643.654.673.627.625.653.642.622.647.815.644.636.638.629.640.624.634.						R
	969. 748. 972.964.970.968			745. 962.963.957.955		R
	760.766.758.805.768.748.764.762.754.756.804.755.763.761.752.747.767.757.765.759					R
	770.784.780.786.778.772.782.774.788.802.790.789.801.781.787.773.776.771.785.779.783.769					R



not present for -/15

- 49 1V
- 1.8V
- 4V
- 41 1V 0.9V
- 1.7V 1.6V
- 9.4V 7.5V

- G
- 6
- e 1.7V
- b 2.4V TS1
- c 7.2V
- e 0.9V
- b 1.5V TS 2
- c 10V
- 7
- 9
- 8



- TS 440
- TS 441
- TS 443
- TS 444
- TS 902
- TS 903

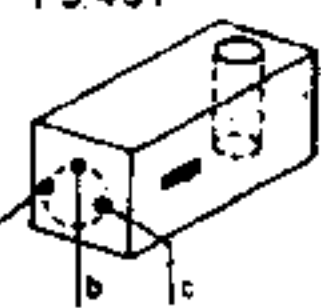


- TS 203-208
- TS 213-218
- TS 223
- TS 446-449

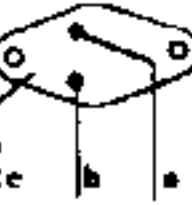


- TS 1-9
- TS 1101-1104
- TS 1111-1114

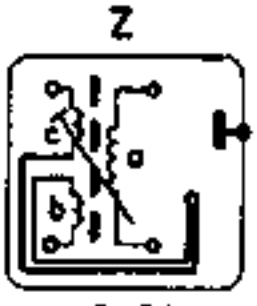
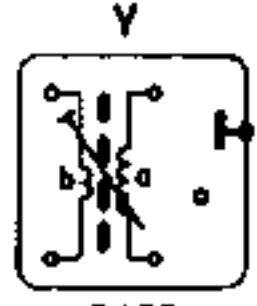
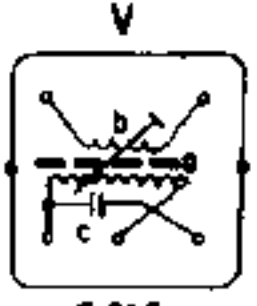
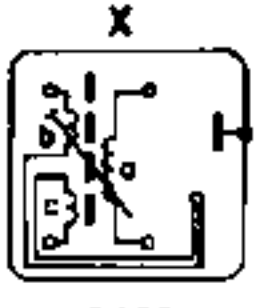
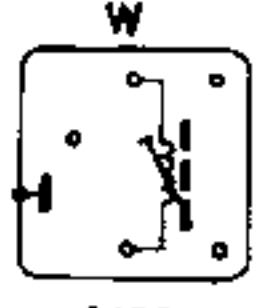
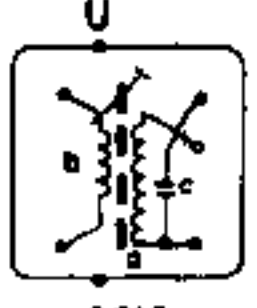
- TS 221
- TS 450
- TS 451



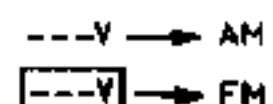
- TS 452 a,b
- TS 454 a,b



- TS 220
- TS 225,226



	a	b	c
TS 452 a	10.8V	10.7V	23V
TS 452 b	10.8V	10.5V	0V
TS 454 a	10.6V	10.7V	23V
TS 454 b	10.6V	10.5V	0V



1500E

	SK.... (wave range)	(signal)	(to)	(tuning)	(adjust)	Indication
AM-IF BAND-PASS TRIMMING	MW1 515-1415 kHz	452 kHz 460 kHz 470 kHz $\Delta f = 200$ kHz (50 Hz) via 33 nF	A B	C401b,c max. cap.	T	2 2
					M	
					K	min.
					C	
					B	
HF-OSCIL.-TRIMMING	LW 148.5-350 kHz	147 kHz	3	C401b,c max. cap.	E	V max.~
	MW1 515-1415 kHz	512 kHz			D	
	SW 5.89-9.87 MHz	5,8 MHz			G	
	MW1 515-1415 kHz	1430 kHz		C401b,c min. cap.	C552	
	MW2 1385-1622 kHz	1635 kHz			C544	
	SW 5.89-9.87 MHz	10 MHz			C554	
HF-ANT.-TRIMMING	LW 148.5-350 kHz	158 kHz	3	4	S404c,d	V max.~
	MW1 515-1415 kHz	550 kHz			S404a,b	
	SW 5.89-9.87 MHz	6,16 MHz			A	
	MW1 515-1415 kHz	1300 kHz			C526	
	LW 148.5-350 kHz	333,5 kHz			C529	
	SW 5.89-9.87 MHz	9,72 kHz			C530	
	MW2 1385-1622 kHz	1550 kHz			C528	
FM-IF BAND-PASS- TRIMMING	FM 87,5-104 MHz	10,7 MHz $\Delta f = 200$ kHz (50 Hz) via 5 nF	5	C	R	4 2
					N P	
					H L	3 7
					U V	
			6	D	S	5 0 V...
HF-TRIMMING	FM 87,5-104 MHz	108 MHz	F	104 MHz	C946	V max.~
		96 MHz			S912, S911	
	111,5 MHz	C946				
	87,5-108 MHz	97,5 MHz			S912, S911	

STEREO-DECODER

BAND-PASS TRIMMING	FM 87,5-104 MHz	100 MHz + pilot (19 kHz)	F	4 100 MHz	W	6 V max.~ (≥0,7 V)
		100 MHz + { pilot (19 kHz) S (L-R) right (1 kHz)			X	7 V max.~
					R98	7 1,8 V~
CHANNEL CROSS-OVER	FM (-/15) 87,5-108 MHz	100 MHz Multiplex right only (1 kHz)	F	4 100 MHz	Z	9 V max.~ (≥2,5 V)
					Y	8 V max. (≥1,4 V)
					X	10 V max.~ (≥0,3 V)
		100 MHz Multiplex right only (5 kHz)			R90	10 V min.~
					R123	
STEREO-SWITCHING LEVEL						
		Pilot (19 kHz) 50 mV	G		R98	10

Repeat - Herhalen - Répéter - Wiederholen - Ricominciare - Repetera - Gentage - Gjentagelse - Toista

GB

- 1 Turn the cores of **T**, **M** and **K** half-way inwards. Turn the cores of **C** and **B** outwards. Set the top of the response curve to the centre of the picture by shifting the generator frequency.
- 2 Adjust for maximum height and symmetry.
- 3 Apply a signal through a coupling winding around the ferroceptor. A shortwave signal, should, however, be applied through a dummy aerial.
- 4 Tune the set.
- 5 Turn the cores of **P**, **L** and **V** fully outwards. Turn the core of **S** fully inwards. Open bridge **A** and short circuit C599 (AFC). Keep the input signal as weak as possible and keep the earthing point of the measuring flex as close as possible to the injecting point.
- 6 Close bridge **A**.
- 7 Adjust for maximum slope and symmetry of the S-curve.
- 8 Remove the core of S912.

Stereo decoder

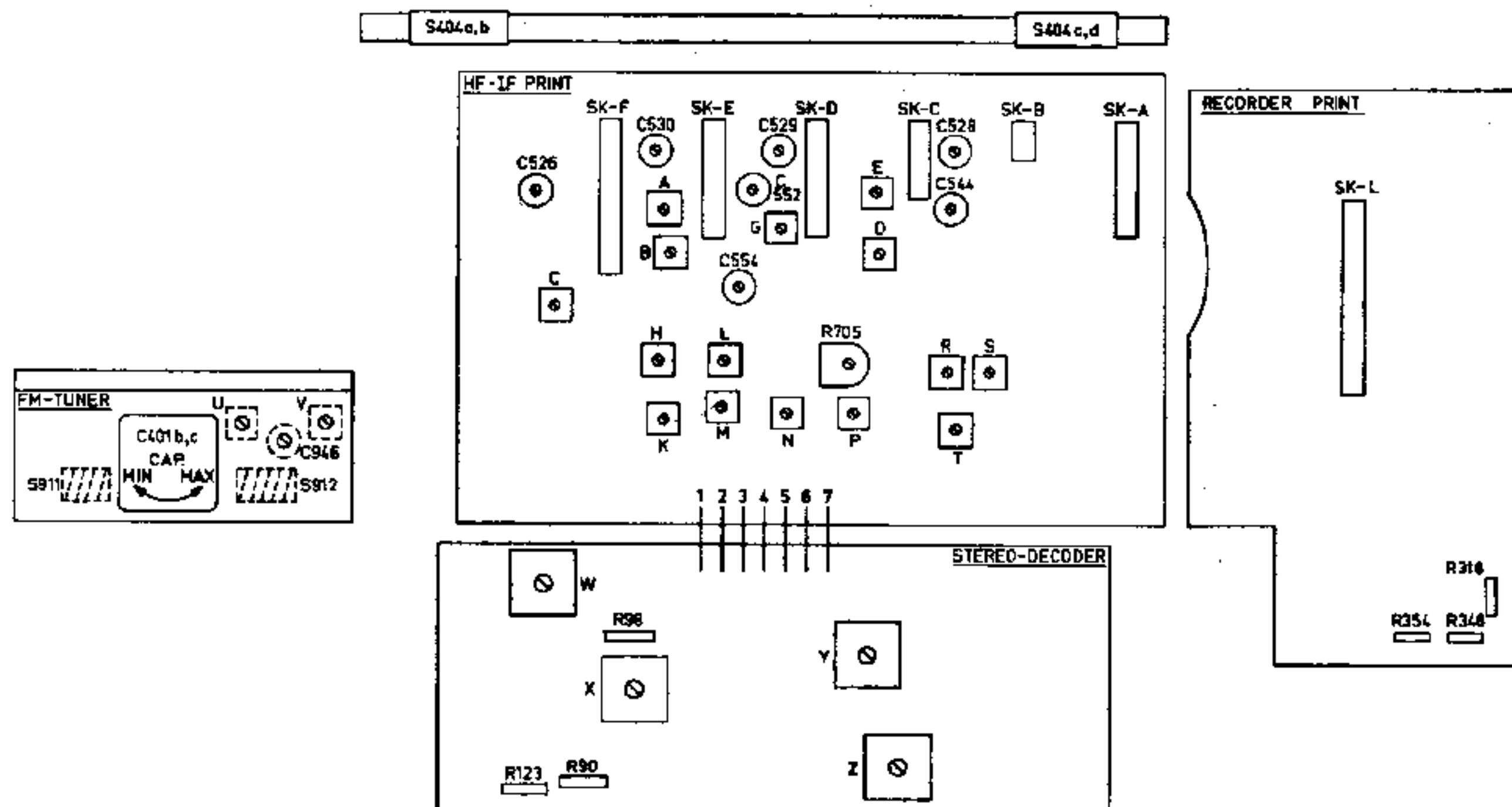
- 9 Connect a stereo generator (for instance, PM6455). Detach the connection at point 3, and apply -1,4 V dc through a 100-k Ω -resistor to point 3.
- 10 Adjust R98 so that the lamp just lights. Then remove the -1,4 V voltage and restore the interrupted connection. Now with R705 the level of the stereo input signal on which the decoder starts operating can be adjusted. (The signal should be so adjusted that, in case of a stereo aerial signal of 100 μ V, the decoder, after having been adjusted, just lights up.

NL

- 1 Kernen van **T**, **M**, en **K** half indraaien. Kernen van **C** en **B** uitdraaien. Top van de doorlaatkromme, door verschuiving van de generatorfrequentie, in het midden van het beeld plaatsen.
- 2 Afregelen op max. hoogte en symmetrie.
- 3 Signaal via koppelwinding om ferroceptor toevoeren, een K.G. signaal via kunstantenne toevoeren.
- 4 Apparaat afstemmen.
- 5 Kernen van **P**, **L** en **V** geheel uitdraaien. Kern van **S** geheel indraaien. Brug **A** openen en C599 (AFC) kortsluiten. Ingangssignaal zo klein mogelijk en de aarding van het meetsnoer zo dicht mogelijk bij het injectiepunt houden!
- 6 Brug **A** sluiten.
- 7 Afregelen op max. steilheid en symmetrie van de "S" kromme
- 8 Verwijder de kern van S912.

Stereo decoder

- 9 Stereo generator aansluiten (b.v. PM6455). Aansluiting op punt 3 losmaken en -1,4 V \overline{dc} via 100 k Ω op punt 3 aansluiten.
- 10 R98 zodanig instellen dat het lampje juist gaat branden. Hierna de spanning van -1,4 V verwijderen en onderbroken verbinding herstellen. Met R705 kan nu het niveau van het stereo-ingangssignaal worden ingesteld waarbij de decoder gaat werken (zodanig instellen dat bij een stereo-antennesignaal van 100 μ V de indicator, bij afgeregelde decoder juist oplicht!).



F

- 1 Enfoncer à demi les noyaux de **T**, **M** et **K**. Dévisser complètement les noyaux de **C** et **B**.
Placer la crête de la courbe de réponse au centre de l'image en déplaçant la fréquence du générateur.
- 2 Ajuster sur hauteur et symétrie maximales.
- 3 Appliquer un signal au ferreocepteur à travers la spire d'accouplement sur O.C. appliquer le signal à travers une antenne fictive.
- 4 Syntoniser.
- 5 Dévisser complètement les noyaux **P**, **L** et **V**.
Enfoncer complètement le noyau **S**. Ouvrir le pontet **A** et court-circuiter C599 (CAF). Maintenir le signal d'entrée le plus petit possible et rapprocher le plus possible la terre du cordon secteur du point d'injection!
- 6 Fermer le pontet **A**.
- 7 Ajuster sur raideur et symétrie maximales de la courbe en "S".
- 8 Enlever le noyau de S912.

Décodeur stereophonique

- 9 Brancher le générateur stéréo, un PM6455, par exemple. Détacher la connexion sur le point 3 et raccorder -1,4 V $\overline{\text{---}}$ par l'intermédiaire de 100 k Ω sur le point 3.
- 10 Régler R98 de manière que le témoin s'allume tout juste. Oter ensuite la tension de -1,4 V et restaurer la liaison interrompue. R705 permet le réglage du niveau du signal d'entrée stéréo entraînant ainsi le fonctionnement du décodeur (régler de telle manière que pour un signal d'antenne stéréo de 100 μ V, l'indicateur s'allume tout juste lorsque le décodeur est ajusté!).

I

- 1 Regolare i nuclei delle bobine **T**, **M** e **K** a metà corsa. Estrarre completamente i nuclei delle bobine **C** e **B**.
Porre il picco della curva di responso al centro dello schermo, variando le frequenze del generatore.
- 2 Regolare per la massima ampiezza e simmetria.
- 3 Applicare un segnale al ferreoceptor attraverso una spira d'accoppiamento.
In O.C. applicare un segnale attraverso una antenna fittizia.
- 4 Sintonizzare.
- 5 Estrarre completamente i nuclei **P**, **L** e **V**.
Far rientrare completamente i nuclei **S**. Aprire il ponte **A** e cortocircuitare C599 (CAF). Mantenere il più basso possibile il segnale d'ingresso e collegare la massa del cavo del generatore il più vicino al punto di iniezione.
- 6 Chiudere il ponte **A**.
- 7 Regolare la curva ad "S" per la massima ampiezza e simmetria.
- 8 Estrarre il nucleo di S912.

Decodificatore stereofonico

- 9 Collegare il generatore stereofonica un PM6455 per esempio scollegare il collegamento sul punto 3 e collegare -1,4 V $\overline{\text{---}}$ tramite una resistenza di 100 k Ω sul punto 3.
- 10 Regolare R98, mantenendo costante la tensione di 1,4 V $\overline{\text{---}}$, fino a far innescare la lampada pilota. Ripristinare il collegamento interrotto. R705 permette la regolazione del livello del segnale stereo in ingresso e quindi il perfetto funzionamento del decodificatore. (Regolare in modo che l'indicatore si illumini per un segnale d'ingresso di 100 μ V. Tutto questo è facilmente ottenibile se il decodificatore è ben tarato).

D

- 1 Drehe die Kerne von **T**, **M** und **K** halb zurück und drehe die Kerne von **C** und **B** ganz heraus.
Bringe die Spitze der Durchlasskurve durch Verschieben der Generatorfrequenz in Bildmitte.
- 2 Justiere auf maximale Höhe und Symmetrie.
- 3 Führe ein Signal über die Kopplungswicklung um die Stabantenne. Ein KW-Signal soll dahingegen über die Kunstantenne zugeführt werden.
- 4 Stimme das Gerät ab.
- 5 Drehe die Kerne von **P**, **L** und **V** ganz heraus. Drehe den Kern von **S** ganz zurück. Öffne Brücke **A** und schliesse C599 (AFC) kurz. Halte das Eingangssignal so klein wie möglich und die Erdung der Netzschur so dicht wie möglich bei der Injizierstelle!
- 6 Schliesse Brücke **A**.
- 7 Justiere auf maximale Steilheit und Symmetrie der "S"-Kurve.
- 8 Entferne den Kern von S912.

Stereo-Decoder

- 9 Schliesse einen Stereo-Generator an (z.B. PM6455)
Löse den Anschluss an Punkt 3 und schliesse über einen 100-k Ω -Widerstand -1,4 V $\overline{\text{---}}$ an Punkt 3 an.
- 10 Stelle R98 so ein, dass die Lampe soeben brennt. Entferne alsdann die Spannung von -1,4 V und stelle die unterbrochene Verbindung wieder her.
Stelle jetzt mit R705 das Niveau des Stereo-Eingangssignals ein; der Decoder wird hierbei betätigt. (Das Signal soll so eingestellt sein, dass bei einem Stereo-Antennensignal von 100 μ V der Indikator bei justiertem Decoder gerade aufleuchtet!).

Removing the cabinet (see Fig. 1)

- . Remove the upper section of the cabinet after removing the 4 screws B. The entire upper section can now be swung backwards (see Fig. 1).
- . Remove the front panel in forward direction after removing the 2 screws A and by pushing the tags D (2x) and E (5x) into the direction indicated by the arrow (see Fig. 1).
- . Remove the recorder section from the upper section by removing the 3 screws C. Do not forget to detach the 4 f-switch 133 from the rear panel (see Fig. 1).

Replacing flywheel 121 and winding friction clutch 108 (see Fig. 2)

- . Remove the bracket of flywheel bearing 123.
- . Remove nylon clamping ring 110.
- . Remove drive belt 92.
- . Remove the flywheel and the winding friction clutch at the same time.

Notes:

1. When assembling, be sure that the cam on friction bracket 108 engages the hook of spring 105.
2. Readjust the bracket of the flywheel bearing after assembly. See "Mechanical adjustments and tests".

Replacing the left-hand reel disc 83 (see Fig. 2)

- . Remove the recorder p.c. board.
- . Remove clamping ring 11, counter belt 125, counter belt pulley 106 and clamping ring 104.
- . Remove the reel disc together with its spindle from the bearing.

Replacing push-buttons 58, 59 (see Fig. 2)

- . Remove spring 63.

Note:

When replacing the playback push-button, also remove the record and the rewind push-buttons. Straighten the bent part of bracket 77 (under the push-button).

- . Remove the push-button with a tilting movement.

Replacing collector 102 (see Fig. 2)

The collector supplied by Concern Service should be glued to the mounting plate, and not riveted like the factory does. Glue to be used: for example, 4822 390 30014.

MECHANICAL ADJUSTMENTS AND TESTS
TAPE ADJUSTMENTSAdjustment of record/playback head 69 (see Fig. 3)a. Height adjustment of right-hand side

For this adjustment, a special jig is used (see A in Fig. 3).

- . Uncase the recorder.
- . It is assumed that the capstan is in a perpendicular position.
- . Set the recorder to position "Playback".
- . Slide jig A over the capstan while pressure roller 68 is pulled back. The jig must be slid over the capstan so far that the capstan is precisely in line with the tape guides of the erase head and the record/playback head.
- . If the record/playback head has been adjusted to the correct height, the jig will be slid exactly between the tape guides of the above-mentioned heads. If this is not the case (the record/playback head is too high or too low) the head may be adjusted with nut 66B. (After that, lockpaint nut 66B).

b. Azimuth alignment (left-hand side)

- . Insert a test cassette (6300 Hz); code number 8945 600 11501.
- . Connect a valve voltmeter to $\diamond 11$.
- . Set the recorder to position "Playback".
- . Adjust the record/playback head with nut 66A so that a maximum output voltage is measured. (Make a note of this value)
- . Connect the valve voltmeter to $\diamond 12$.
- . Measure the output voltage and adjust for maximum value with nut 66A. (Make a note of this value, too.)
- . Adjust the record/playback head to the average of the two values referred to above so that the output voltages of the two channels are equally high. After that, lockpaint nut 66A.

Note:

For the azimuth alignment the tape deck need not be removed. Nut 66A is accessible after dust cover 151 has been removed.

Checking the pressure force of pressure roller 68 (see Fig. 4)

In position "Playback", the force required to lift the pressure roller just off the capstan is between 150 and 190 g (spring

pressure gauge 4822 395 80028). This force is adjusted when the torsion spring is hooked in another mounting hole. In position "Playback", the clearance between the pressure roller lever and cam A must be at least 0.5 mm. This clearance is adjusted when cam A is bent.

Checking the winding friction 108 (see Fig. 4)

It may occur that the tape in the cassette is irregularly or not wound onto the right-hand turntable, causing the tape to be damaged.

This fault may be caused by:

a. Incorrect pressure of the pulley of idler bracket 108 onto the right-hand turntable

This force must be between 70 and 100 grammes (spring pressure gauge 4822 395 80028), depending on the winding friction.

This is measured as follows:

- . Make the auto-stop circuit inoperative by short-circuiting the collector and emitter of TS222.
- . Connect an mA-meter between point 8 of SK5 and the junction D228/C275 (G76 in wiring diagram).
- . Set the recorder without cassette to position "play" and read the current consumption.
- . Block the right-hand turntable and read the current consumption. This must be 8...16 mA.
- . If the current increase is less than 8 mA, the pressure of the pulley of idler bracket 108 onto the right-hand turntable must be reduced to min. 70 grammes (see Fig. 4).
- . If the current increase is more than 16 mA, the pressure must be increased to max. 100 grammes (see Fig. 4). The pressure can be adjusted by slightly bending wire spring 105. If no current increase of 8-16 mA can be obtained in this way, the probable cause of the fault is:

b. Winding friction too low

It is recommended to replace the friction felt or, if necessary, also the spring and the friction wheel (see Fig. 10).

If the friction unit cannot be disassembled, replace the complete winding friction (see Repair Instructions).

c. Too much friction in the cassette

When the current increase stated under para. a is between 8 and 16 mA, the fault is caused by too high a friction of the tape in the cassette.

Checking hold-down spring 99 (see Fig. 5)

The force with which the cassette is held down, should be between 200 and 300 g. This is measured with a spring pressure gauge (4822 395 80028) (see Fig. 5).

CHECKING AND ADJUSTING THE DRIVE MECHANISM

Checking the rewind mechanism (see Fig. 7)

- a. In position "Playback" the clearance between the flywheel and idler wheel 108 should be 1-2 mm. Adjust this clearance by bending tag E.
- b. In position "Rewind" the clearances A and B should be at least 0.2 mm. Adjust these clearances by bending tags F and G.
- c. In position "Wind" the clearances C and D should be at least 0.2 mm. Adjust these clearances by bending tags F and G.
- d. In the positions "Playback", "Wind" and "Rewind" the brake bracket must abut on the two stop tags on the mounting plate. The clearance between the reel discs and the brake bracket should then be at least 0.3 mm. Moreover, the groove in the flywheel, must be in line with that of the friction coupling.

Adjusting the flywheel (see Fig. 6)

- . Place the recorder upside down.
- . In this position the clearance between the underside of the capstan and the bearing plate should be 0.1 - 0.3 mm.
- . Adjust this clearance by displacing bracket 123 with a screw-driver.

Adjusting the motor

The height of the motor must be so adjusted that the motor pulley, the belt grooves of the flywheel and the friction clutch are flush.

ADJUSTMENTS OF THE SWITCHES

Switch SKM (see Fig. 8)

- . Set the recorder to the rest position (no push-button depressed).
- . Adjust the housing of the switch by means of screw A so that the slider abuts on the housing (see arrow).

MAINTENANCE

After 500 working hours, clean the recorder and lubricate the most important lubrication points.

Clean with alcohol or methylated spirit

- . Erase head
- . Record/playback head
- . Cords
- . Reel discs
- . Idler wheels
- . Capstan
- . Pressure roller

Lubricating instruction

- Shell Alvania 2 (4822 390 20001)
Is used for lubricating the ball bearings; for example, the ball bearings between the mounting plate and slide 53.
- Lubricant 10 (4822 390 10003)
Is used for lubricating the contact surfaces; for example, brackets 505, 107, 56.
- Tellus 33 (4822 390 10006)
Is used for lubricating spindles and bearings; for example, spindles of reel discs, bearings of idler wheels, the capstan bearing.
- Silicone grease (4822 390 20011)
Is used for greasing plastic components; for example, slides 152 and 153, bracket 157.

ELECTRICAL MEASUREMENTS AND ADJUSTMENTS

Adjustment of the bias current

When the bias current is adjusted, a compromise between the frequency range and the distortion must be made. If the bias current is too small, the result will be distortion. On the other hand, the high tones will be attenuated too much if the bias current is too large.

- . Set the recorder to position "Record".
- . The voltages test points $\diamond 13$ and $\diamond 14$ should be 40 m Vac and 50 m Vac respectively. The value can be adjusted with trimming potentiometers R312 (R348).

Checking the erase oscillator voltage

- . Set the recorder to position "Record".
- . The voltage across the erase head should be ≥ 10 Vac at a frequency ranging of 59 ± 6 kHz.

Checking the automatic stop circuit

When the automatic stop circuit does not function properly, first check whether the electronic part or the rotating switch is defective, by measuring the voltage on junction C259/365. On this test point there should be a voltage of 3-4 V. If this value is measured, the collector and the rotating switch are performing well; the fault must then be traced in the electronic part. Should the value measured differ from the above-mentioned value, the collector and the rotating switch must be checked and, if necessary, replaced.

Checking the tape speed

The tape speed may be checked in two ways:

- a. with a test cassette on which every other 4.76 m a 800 Hz signal has been modulated: code number 8945 600 11501.
- b. with a stroboscope.

a. Test cassette

- . Put a test cassette in the recorder.
- . Set the recorder to position "Playback".
- . Between two successive signals 98 - 102 seconds should elapse.

b. Stroboscope

- . Remove one of the sides from the cassette. This is easily done with a knife and a file. The edges of the hole should be deburred. Through this hole the tape can be taken out.
- . Uncase the recorder.
- . Place a stroboscope next to the recorder, and adjust the stroboscope to the required height. Pass the tape along the stroboscope (see Fig. 9). The tape speed should be 4.75 cm/s ± 2 %.

When the tape speed is too low, first check whether pressure roller, winding friction clutch, flywheel, etc. run too heavily. Then the speed can be adjusted with R354 on the motor control p.c. board.

NL REPARATIEWENKENUitkasten van het apparaat (zie fig. 1)

- . Demonteer het bovendeel van de kast door de 4 schroeven B te verwijderen. Het gehele bovendeel kan nu naar achteren omgeklapt worden (zie fig. 1).
- . Het front kan naar voren worden verwijderd door beide schroeven A te verwijderen en de lippen D (2x) en E (5x) in de aangegeven pijlrichting te drukken (zie fig. 1).
- . Demonteer het recordergedeelte van het bovendeel door de 3 schroeven C te verwijderen. Vergeet hierbij niet de Δ f-schakelaar 133 los te maken van de achterwand (zie fig. 1).

Vervangen van het vliegwiel 121 en de opspoelfricctie 108 (zie fig. 2)

- . Verwijder de vliegwielagerbeugel 123.
- . Verwijder het nylon klemringetje 110.
- . Verwijder aandrijfsnaar 92.
- . Het vliegwiel en de opspoelfricctie moeten gelijktijdig worden verwijderd.

Opmerkingen:

1. Bij de montage dient er op gelet te worden, dat het nokje op de opspoelfricctiebeugel 108 in het haakje van veer 105 valt.
2. Na de montage moet de vliegwielagerbeugel opnieuw worden ingesteld. Zie hiervoor "Mechanische instellingen en controles".

Vervangen van de linker spoelschotel 83 (zie fig. 2)

- . Verwijder de recorderprint.
- . Verwijder klemring 11, tellersnaar 125, tellersnaarpoelle 106 en klemring 104.
- . Hierna kan de spoelschotel compleet met de spoelschotelas uit het lager getrokken worden.

Vervangen van de druktoetsen 58, 59 (zie fig. 2)

- . Verwijder veer 63.

Opmerking:

Bij het verwisselen van de weergeefdruktoets moeten bovendien de opneem- en terugspoeltoets verwijderd worden en het omgebogen gedeelte van beugel 77 (onder de druktoets) recht gebogen worden.

- . De druktoets kan met een kantelende beweging naar boven, verwijderd worden.

Vervangen van de collector 102 (zie fig. 2)

De door Service geleverde collector dient op de montageplaat te worden gelijmd in plaats van gefelgd, welke methode door de fabriek wordt toegepast (te gebruiken lijm b.v. 4822 390 30014).

MECHANISCHE INSTELLINGEN EN CONTROLES
BANDLOOP-INSTELLINGENInstelling van de opn./weergavekop 69 (zie fig. 3)a. Hoogte-instelling rechterzijde

Voor deze instelling wordt een speciale mal gebruikt (4822 402 60245) zie A in fig. 3.

- . Er wordt van uitgegaan dat de toonas loodrecht staat.
- . Zet het apparaat in de stand "weergave".
- . Schuif mal A over de toonas terwijl de drukrol 68 wordt teruggetrokken. De mal moet zover over de toonas geschoven worden, dat deze zich in het verlengde bevindt van de wis-en o/w kop bandgeleiders.
- . Als de o/w kop op de juiste hoogte staat ingesteld, zal de mal precies tussen de bandgeleiders van bovengenoemde koppen schuiven.
- . Is dit niet het geval (o/w kop staat te hoog of te laag) dan kan de kop op hoogte ingesteld worden met moertje 66B. (Hierna moet moertje 66B afgelakt worden.)

b. Instelling van de azimuth (linkerzijde)

- . Leg een testcassette (6300 Hz) codenummer 8945 600 11501 in het apparaat.
- . Sluit een buisvoltmeter aan op $\diamond 11$.
- . Zet het apparaat in de stand "weergave".
- . Stel de o/w kop m.b.v. moertje 66A zodanig in, dat de maximale uitgangsspanning wordt gemeten. (Noteer deze waarde!)
- . Sluit vervolgens de buisvoltmeter aan op $\diamond 12$.
- . Meet ook hier de uitgangsspanning en stel deze ook op de maximale waarde in m.b.v. moertje 66A. (Noteer deze waarde!)
- . De o/w kop moet nu op het gemiddelde van beide genoteerde waarden worden ingesteld zodat de uitgangsspanning van beide kanalen even groot is. (Hierna moet moertje 66A afgelakt worden.)

Opmerking:

Voor de azimuth-instelling behoort het loopwerk niet uitgekast te worden. Moertje 66A is bereikbaar als stofplaatje 151 ver-

Controle van de aandrukkracht van drukrol 68 (zie fig. 4)

De kracht die nodig is om de drukrol in de stand "weergave" juist van de toonas te lichten moet tussen de 150 en 190 gr. bedragen (veerdrukmeter 4822 395 80028). Deze kracht is in te stellen door de torsleveer in een ander bevestigingsgaatje te haken. De afstand tussen de drukrolhefboom en nokje A moet in de stand "weergave" minimaal 0,5 mm bedragen. Dit is in te stellen door nokje A te verbuigen.

Controle van de opspoelfrictie 108 (zie fig. 4)

Het kan voorkomen dat de band in de cassette niet of onregelmatig wordt opgewonden op de rechter spoelschotel. Daardoor kan beschadiging van de band ontstaan.

Deze fout kan worden veroorzaakt door:

a. Niet juiste aandrukkracht van de poelie van de opspoelfrictiebeugel 108 tegen de rechter spoelschotel

Deze kracht moet tussen 70 en 100 gr liggen (veerdrukmeter 4822 395 80028). De instelling hiervan is mede afhankelijk van de opspoelfrictie.

Dit wordt als volgt gemeten:

- . Schakel de automatische einduitschakeling uit door collector en emitter van TS222 kort te sluiten.
- . Sluit een mA-meter aan tussen punt 8 van SK5 en het knooppunt D228/C257 (G76 in bedradingstekening).
- . Zet het apparaat zonder cassette in stand weergave en lees de opgenomen stroom af.
- . Blokkeer de rechter spoelschotel en lees de stroomtoename af. Deze moet 8-16 mA zijn.
- . Is de stroomtoename minder dan 8 mA dan moet de aandrukkracht van de poelie van de opspoelfrictiebeugel 108 tegen de rechter spoelschotel worden verlaagd tot uiterlijk 70 gr (zie fig. 4).
- . Is de stroomtoename meer dan 16 mA dan moet de aandrukkracht worden verhoogd tot uiterlijk 100 gr (zie fig. 4).

De aandrukkracht is instelbaar door draadveer 105 iets te verbuigen.

Als op deze wijze geen stroomtoename van 8-16 mA bij blokkeren van de rechter spoelschotel verkregen kan worden is de foutoorzaak vermoedelijk:

b. Te geringe opspoelfrictie

Aanbevolen wordt het frictievilt te vervangen of indien nodig ook de veer en het frictiewiel (zie fig. 10). Bij de niet demonteerbare opspoelfrictie is compleet vervangen noodzakelijk (zie Reparatiwenken).

c. Te veel wrijving in de cassette

Wanneer de stroomtoename die afgelezen wordt als omschreven onder punt a tussen de 8 en 16 mA ligt, dan is het slechte opwinden van de band te wijten aan te veel wrijving van de band in de cassette.

Controle van de aandrukveer 99 (zie fig. 5)

De kracht waarmee de cassette wordt aangedrukt moet tussen de 200 en 300 gr. bedragen. Dit wordt gemeten met een veerdrukmeter 4822 395 80028 zoals is aangegeven in fig. 5.

CONTROLE EN INSTELLINGEN VAN HET AANDRIJFMECHANISMEControle van het omspoelmechanisme (zie fig. 7)

- a. In de stand "weergave" moet de afstand tussen het vliegwiel en tussenwiel 108 1-2 mm bedragen. Dit is in te stellen door lip E te verbuigen.
- b. In de stand "terugspoelen" moeten de afstanden A en B minimaal 0,2 mm bedragen. Dit is in te stellen door respectievelijk lippen F en G te verbuigen.
- c. In de stand "opspoelen" moeten de afstanden C en D minimaal 0,2 mm bedragen. Dit is in te stellen door respectievelijk de lippen F en G te verbuigen.
- d. In de standen "weergave", "opspoelen" en "terugspoelen" moet de rembeugel aanliggen tegen de twee aanslaglippen op de montageplaat en moet de afstand tussen de spoelschotel en rembeugel minimaal 0,3 mm zijn.

Instelling van het vliegwiel (zie fig. 6)

- . Plaats het apparaat op zijn kop.
- . In deze stand moet de afstand tussen de onderkant van de toonas en het lagerplaatje tussen 0,1 - 0,3 mm bedragen.
- . Dit is in te stellen door beugel 123 met behulp van een schroevendraaier te verschuiven.
- . Tevens dient de snaargroef in een lijn te liggen met die van de frictiekoppeling.

Instelling van de motor

De hoogte van de motor moet zodanig worden ingesteld, dat de motorpoelie in een lijn staat met de snaargroeven van het vliegwiel en de frictiekoppeling.

INSTELLINGEN VAN DE SCHAKELAARSSchakelaar SKM (zie fig. 8)

- . Plaats de recorder in de ruststand (geen toets ingedrukt).
- . Stel het schakelaarhuis m.b.v. schroef A dusdanig in dat de looper aanligt tegen het huis (zie pijl).

ONDERHOUDSchoonmaken met alcohol of spiritus

- . Wiskop
- . Opneem/weergeefkop
- . Snaren
- . Spoelschotels
- . Tussenwielen
- . Toonas
- . Drukrol

Smeervoorschrift

- . Shell Alvania 2 (4822 390 20001)
Wordt gebruikt voor het invetten van kogelbanen, bijv. de kogelbanen tussen montageplaat en schuif 53.
- . Smeermiddel 10 (4822 390 10003)
Wordt gebruikt voor het smeren van glijvlakken bijv. beugels 505, 107, 56.
- . Tellus 33 (4822 390 10006)
Wordt gebruikt voor het smeren van assen en lagers bijv. spoelschotelassen, tussenwielagers, toonaslager.
- . Siliconenvet (4822 390 20011)
Wordt gebruikt voor het smeren van kunststofonderdelen bijv. schuiven 152 en 153, beugel 157.

ELEKTRISCHE METINGEN EN INSTELLINGENInstelling van de voormagnetisatiestroom

Bij het instellen van de voormagnetisatie moet een compromis gevonden worden tussen het frequentiebereik en de vervorming. Wanneer de voormagnetisatiestroom te klein is, ontstaat vervorming. Bij een te grote voormagnetisatiestroom worden de hoge tonen te veel verzwakt.

- . Plaats het apparaat in de stand "opname".
- . De spanningen op de meetpunten $\diamond 13$ en $\diamond 14$ moet respectievelijk 40 mV \sim en 50 mV \sim bedragen. De waarde kan worden ingesteld met behulp van instelpotentiometers R318 (R348).

Controle van de wisselspanning

- . Plaats het apparaat in de stand "opname".
- . De spanning over de wiskop moet ≥ 10 V \sim bedragen bij een frequentie van 59 ± 6 kHz.

Controle van de automatische einduitschakeling

Wanneer de automatische einduitschakeling niet goed functioneert, moet eerst gecontroleerd worden of het defect zich bevindt in het elektronische gedeelte of in de roterende schakelaar. Dit is te controleren door de spanning op knooppunt C259, R365 te meten. Op dit meetpunt moet een spanning aanwezig zijn van 3-4 V. Als deze waarde gemeten wordt zijn collector en roterende schakelaar in orde en moet de fout in het elektronische gedeelte gezocht worden. Wijkt de gemeten waarde af, dan moeten collector en roterende schakelaar gecontroleerd en eventueel vervangen worden.

Controle van de bandsnelheid

De bandsnelheid kan op 2 manieren gecontroleerd worden:

- a. met een testcassette, waarop om de 4,76 m een signaal van 800 Hz gemoduleerd is (codenummer 8945 600 11501)
- b. met een stroboscoop.

- a. Testcassette
 - . Leg een testcassette in het apparaat.
 - . Plaats het apparaat in de stand "weergave".
 - . De tijd tussen 2 signalen moet tussen 98 en 102 sec. liggen.

- b. Stroboscoop
 - . Verwijder een der zijanten van een cassette. Dit kan gemakkelijk gedaan worden met een mesje en een vijl. De opening moet goed braamvrij gemaakt worden. Door deze opening kan nu de band naar buiten worden gehaald.
 - . Kat het apparaat uit.
 - . Plaats een stroboscoop naast het apparaat en stel deze op de juiste hoogte in. Leidt de band langs de stroboscoop (zie fig. 9). De bandsnelheid moet 4,75 cm/sec ± 2 % zijn.

Als de bandsnelheid te laag is, moet eerst gecontroleerd worden of drukrol, opspoelfrictie, vliegwiel enz. niet te zwaar lopen. Daarna kan de snelheid ingesteld worden met R354 op de motorregelprint.

F INSTRUCTIONS POUR REPARATIONS

Démontage de l'appareil (voir fig. 1)

- Démontez la partie supérieure du boîtier en enlevant les 4 vis B. Toute la partie supérieure peut dorénavant être rabattue vers l'arrière (voir fig. 1).
- En retirant les deux vis A et en poussant les languettes D (2x) et E (5x) en direction indiquée par la flèche, la partie avant peut être enlevée par l'avant.
- Démontez la partie magnétophone de la partie supérieure en enlevant les 3 vis C. Ne pas oublier de détacher le commutateur Af 133 du panneau arrière (voir fig. 1).

Remplacement du volant 121 et de la friction de bobinage 108 (fig. 2)

- Retirer le support du palier de volant 123.
- Retirer le collier de serrage en nylon 110.
- Retirer la courroie 92.
- Sortir simultanément le volant et la friction de bobinage.

Observations:

1. Lors du montage veiller à ce que la came du levier de la friction de bobinage 108 tombe dans le crochet du ressort 105.
2. Après montage, réajuster le support du palier de volant. Dans ce but, voir "Réglages mécaniques et contrôles".

Remplacement du plateau à bobine de gauche 83 (voir fig. 2)

- Oter la platine du magnétophone.
- Retirer le collier de serrage 11, la corde de compteur 125, la poulie 106 et le collier de serrage 104.
- Sortir le plateau à bobine avec axe de son palier.

Remplacement des touches 58, 59 (voir fig. 2)

- Démontez l'appareil.
- Retirer le ressort 63.

Observation:

Lors du remplacement de la touche de reproduction, retirer aussi les touches d'enregistrement et de rebobinage et recourber la partie de l'étrier 76 (sous la touche).

- Sortir la touche en affectant un mouvement basculant.

Remplacement du collecteur 102 (voir fig. 2)

Le collecteur fourni par le Service doit être collé sur la plaque de montage et non rivé comme c'est le cas à l'usine (utiliser la colle 4822 390 30014, par exemple).

REGLAGES MECANIKES ET CONTROLES REGLAGES DE LA TRAJECTOIRE DE BANDE



Réglage de la tête enregistrement/reproduction (voir fig. 3)

a. Réglage de la hauteur du côté-droit

Pour ce réglage il faut utiliser le gabarit spécial (4822 402 60245) voir A, fig. 3.

- A supposer que le cabestan soit perpendiculairement réglé.
- Placer l'appareil en position "reproduction".
- Glisser le gabarit A, sur le cabestan, le galet presseur 68 est retiré. Glisser le gabarit sur le cabestan jusqu'à ce qu'il se trouve dans le prolongement des guide-bande des têtes d'enregistrement/reproduction et d'effacement.
- Lorsque la tête d'enregistrement/reproduction est réglée sur la hauteur correcte, le gabarit s'appliquera exactement entre les guide-bande de ces têtes. S'il n'en est pas ainsi (la tête d'enregistrement/reproduction trop haut ou trop bas), régler la hauteur de la tête par l'écrou 66B. (Puis bloquer l'écrou 66B à la laque.)

b. Réglage de l'azimut (côté gauche)

- Mettre une cassette de test (6300 Hz), no de code 8945 600 11501 dans l'appareil.
- Raccorder un voltmètre électronique sur .
- Placer l'appareil en position "reproduction".
- Régler la tête d'enregistrement/reproduction par l'écrou 66A de façon à obtenir la tension de sortie maximale. (Noter cette valeur.)
- Puis raccorder le voltmètre électronique sur .
- Mesurer encore la tension de sortie et la régler au max. au moyen de l'écrou 66A. (Noter cette valeur.)
- Régler la tête d'enregistrement/reproduction sur la moyenne des deux valeurs notées, de sorte que la tension de sortie des deux canaux est identique. (Puis bloquer l'écrou 66A à la laque.)

Observation:

Pour le réglage de l'azimut il n'est pas nécessaire de démonter le mécanisme, l'écrou 66A est accessible lorsque le pare-poussière 151 est sorti.

Contrôle de la force du galet presseur 68 (voir fig. 4)

La force nécessaire dans la position "reproduction" pour soulever le galet presseur juste du cabestan doit être comprise entre 150 et 190 g (peson 4822 395 80028). Cette force est réglable en mettant le ressort de torsion dans un autre trou de fixation.

En position "reproduction" la distance entre le levier de galet presseur et la came A doit s'élever à 0,5 mm au moins. Cette distance est réglable en courbant la came A.

Vérification de la friction d'embobinage 108 (fig. 4)

Il peut arriver que la bande dans la cassette ne s'enroule pas ou s'enroule de manière irrégulière sur le plateau à bobine de droite. La bande pourrait en être abîmée.

Ce défaut peut provenir de:

a. Une force de pression insuffisante de la poulie de l'étrier de la friction d'embobinage 108 contre le plateau à bobine de droite

Cette force doit se situer entre 70 et 100 gr (peson 4822 395 80028). Le réglage de cette force de pression dépend de la friction d'embobinage.

On mesure cette force de la façon suivante:

- Débrancher le circuit fin de course automatique en court-circuitant le collecteur et l'émetteur de TS222.
- Raccorder un mA-mètre entre le point 8 de SK5 et le noeud R223/C257 (C76 dans le schéma de câblage).
- Positionner l'appareil sans cassette sur "reproduction" et prendre note du courant d'enregistrement.
- Bloquer le plateau à bobine de droite et lire la hausse de courant. Celui-ci doit se situer entre 8 et 16 mA.
- Si la hausse de courant est inférieure à 8 mA, la force de pression de la poulie de l'étrier de la friction d'embobinage 108 contre le plateau à bobine de droite, doit être réduite à 70 gr maximum (voir fig. 4).
- Si la hausse est supérieure à 16 mA, la force de pression doit être élevée jusqu'à 100 gr. (voir fig. 4).

La force de pression est réglable en recourbant légèrement de ressort à fil 105.

Si de cette manière, il n'y a pas de hausse de courant de 8-16 mA lorsqu'on bloque le plateau à bobine de droite, le défaut est à rechercher dans:

b. Une friction d'embobinage insuffisante

Il est recommandé de remplacer l'anneau de friction, ou au besoin, le ressort de la roue de friction (voir fig. 10). Si l'on possède la friction d'embobinage non démontable, il faudra la remplacer (voir "Instructions pour réparations").

c. Trop de frottement dans la cassette

Si la hausse de tension qui est perceptible de la façon décrite au point "a" s'inscrit entre 8 et 16 mA, le mauvais enroulement de la bande est à imputer à trop de frottement de la bande dans la cassette.

Contrôle du ressort de pression 99 (voir fig. 5)

- La force de pression sur la cassette doit être comprise entre 200 et 300 g. Mesurer cette force au moyen d'un dynamomètre (4822 395 80028) représenté fig. 5.

CONTROLE ET REGLAGES DU MECANISME D'ENTRAINEMENT

Contrôle du mécanisme de bobinage (voir fig. 7)

- a. En position "reproduction" la distance entre le volant et la roue folle 108 doit être de 1-2 mm. Régler en courbant la patte E.
- b. En position "rebobinage" les distances A et B doivent être de 0,2 mm au minimum. Régler en courbant respectivement les pattes F et G.
- c. En position "bobinage" les distances C et D doivent être de 0,2 mm au minimum. Régler en courbant respectivement les pattes F et G.
- d. Dans les positions "reproduction", "bobinage" et "rebobinage", le levier de freinage doit toucher les deux butées sur la plaque de montage et la distance entre le plateau à bobine et de l'étrier de freinage doit être de 0,3 mm au minimum.

Réglage du volant (voir fig. 6)

- Mettre l'appareil sens dessus dessous.
- Dans cette position la distance entre le côté inférieur du cabestan et la plaque de palier doit être comprise entre 0,1 et 0,3 mm.
- Régler en déplaçant le levier 123 au moyen d'un tournevis.
- L'entaille de la courroie doit se trouver à la même hauteur que le couple de friction.

Réglage du moteur

Régler la hauteur du moteur de façon que sa poulie s'aligne avec les fentes de la corde du volant et de l'accouplement de friction.

REGLAGE DES COMMUTATEURS

Commutateur SKM (voir fig. 8)

- . Placer le magnétophone en position de repos (aucune touche n'est enfoncée).
- . Régler le boîtier du commutateur à l'aide de la vis A, de manière que le curseur soit tout contre le boîtier (voir flèche).

ENTRETIEN

Nettoyage à l'alcool ou à l'alcool à brûler

- . Tête d'effacement
- . Tête d'enregistrement/reproduction
- . Cordes
- . Plateaux à bobine
- . Roues folles
- . Cabestan
- . Galet presseur

Instruction pour la lubrification

- . Shell Alvania 2 (4822 390 20001)
S'utilise pour lubrifier les roulements à billes, par exemple les enroulements à billes entre la plaque de montage et le tiroir 53.
- . Lubrifiant 10 (4822 390 10003)
S'utilise pour lubrifier les surfaces de contact, par exemple, pour les étriers 505, 107, 56.
- . Tellus 33 (4822 390 10006)
S'utilise pour lubrifier les axes et les roulements à billes, par exemple les axes de plateau à bobine, les roulements de la roue folle, le roulement du cabestan.
- . Graisse Silicone (4822 390 20011)
S'utilise pour lubrifier les pièces en matière synthétique, par exemple, les tiroirs 152 et 153 et l'étrier 157.

MESURES ELECTRIQUES ET REGLAGES

Réglage du courant de prémagnétisation

- Pour le réglage du courant de prémagnétisation il faut chercher un compromis entre la courbe de réponse et la distorsion. Si ce courant est peu intense, il se produit une distorsion et les aiguës seront trop atténuées si ce courant est trop intense.
- . Placer l'appareil en position "enregistrement".
 - . Les tensions aux points de mesure 13 et 14 doivent être respectivement de 40 mV_{rms} et 50 mV_{rms}. Cette valeur est réglable au moyen des potentiomètres de réglage R378 (R348).

Contrôle de la tension de l'oscillateur d'effacement

- . Placer l'appareil en position "enregistrement".
- . La tension sur la tête d'effacement doit s'élever à ≥ 10 V_{rms} lorsque la fréquence est de 59 ± 6 kHz.

Contrôle du circuit d'arrêt automatique

- Si le fonctionnement de l'arrêt automatique n'est pas bon, contrôler si le défaut est dû à la partie électronique ou au commutateur rotatif. Ce contrôle s'effectue en mesurant la tension au noeud C259, R365. Une tension de 3-4 V doit se présenter à ce point de mesure. Si cette valeur est mesurée, le collecteur et le commutateur rotatif sont en ordre et le défaut doit être dû à la partie électronique. Lorsque la valeur mesurée dévie, le collecteur et le commutateur rotatif doivent être contrôlés et, au besoin, remplacés.

Contrôle de la vitesse de défilement de bande

- La vitesse de défilement de bande peut être contrôlée de deux façons:
- au moyen d'une cassette de test sur laquelle un signal de 800 Hz est modulé tous les 4,76 m (no de code 8945 600 11501)
 - au moyen d'un stroboscope

a. Cassette de test

- . Poser une cassette de test dans l'appareil.
- . Placer l'appareil en position "reproduction".
- . Le temps qui s'écoule entre deux signaux doit être compris entre 98 et 102 secondes.

b. Stroboscope

- Retirer un des côtés de la cassette. Cela s'effectue aisément par un couteau et une lime. Bien ébavurer l'ouverture. La bande peut être sortie à travers cette ouverture.

. Démontez l'appareil.

- . Placer un stroboscope à côté de l'appareil et le régler à la hauteur correcte. Passer la bande le long du stroboscope (voir fig. 9). La vitesse de défilement de bande doit être de $4,75 \text{ cm/s} \pm 2\%$.

Lorsque la vitesse de bande est trop petite, contrôler si le galet presseur, la friction de bobinage, le volant etc. marchent sans accroc. Puis, régler la vitesse au moyen de R354 prévu sur la platine imprimée du moteur.

D

REPARATURHINWEISE

Ausbauen des Gerätes (siehe Abb. 1)

- . Demontiere die obere Gehäusehälfte; entferne hierzu die vier Schrauben B. Das vollständige Oberteil kann jetzt nach hinten geklappt werden (siehe Abb. 1).
- . Entferne die Frontplatte nach vorne; löse hierzu die beiden Schrauben A und drücke die Zungen D (2x) und E (5x) in Richtung des Pfeils (siehe Abb. 1).
- . Demontiere den Recorderteil vom Oberteil; entferne hierzu die drei Schrauben C. Lösen des A f-Schalters 133 von der Rückwand darf nicht vergessen werden (siehe Abb. 1).

Auswechseln von Schwungrad 121 und Rutschkupplung 108 (siehe Abb. 2)

- . Entferne Schwungradlagerbügel 123.
- . Entferne Kunststoff-Klemmring 110.
- . Entferne Antriebspese 92.
- . Entferne Schwungrad und Rutschkupplung gleichzeitig.

Anmerkungen:

- Bei Montage ist darauf zu achten, dass der Nocken auf der Rutschkupplung 108 in den Haken von Feder 105 fällt.
- Nach Montage ist der Schwungradbügel erneut einzustellen. Siehe hierzu "Mechanische Einstellungen und Prüfungen".

Auswechseln des linken Bandtellers 83 (siehe Abb. 2)

- . Entferne die Recorder-Printplatte.
- . Entferne Klemmring 11, Zählwerk 125, Pesenantriebsscheibe 106 und Klemmring 104.
- . Ziehe den Bandteller komplett mit der Bandtellerachse aus dem Lager.

Auswechseln der Drucktasten 58, 59 (siehe Abb. 2)

- . Baue das Gerät aus.
- . Entferne Feder 63.

Anmerkung:

Beim Auswechseln der Wiedergabetaste sind auch die Aufnahme- und die Rückspultaste zu entfernen und ist der umgebogene Teil von Bügel 77 (unter der Drucktaste) geradezubiegen.

- . Kippe die Drucktaste nach oben und entferne sie.

Auswechseln des Kollektors 102 (siehe Abb. 2)

Der vom Service gelieferte Kollektor ist auf die Montageplatte zu leimen (mit z.B. Leim 4822 390 30014) und nicht zu fälzen; diese Methode wird in der Fabrik angewandt.

MECHANISCHE EINSTELLUNGEN UND PRÜFUNGEN
BANDLAUFEINSTELLUNGENEinstellen des A/W-Kopfes 69 (siehe Abb. 3)Höheneinstellung (rechte Seite)

- . Benutze für diese Einstellung eine Sonderlehre (4822 40z 60245) siehe A in Abb. 3.
- . Man geht von einer Senkrechtlage der Tonrolle aus.
- . Schalte das Gerät in Stellung "Wiedergabe".
- . Schiebe Lehre A über die Tonrolle, während Anpressrolle 68 zurückgezogen wird. Die Lehre ist so weit über die Tonrolle zu schieben, dass sie sich mit den Lösch- und A/W-Kopf-Bandführern auf einer Linie befindet.
- . Bei richtiger Höheneinstellung des A/W-Kopfes, schiebt sich die Lehre genau zwischen die Bandführung vorgenannter Köpfe. Ist dies nicht der Fall (A/W-Kopf steht zu hoch oder zu niedrig), kann der Kopf mit Mutter 66B nachgestellt werden. Mutter 66B hiernach lacksichern.

Azimuteinstellung (linke Seite)

- . Lege ein Testcassette (6300 Hz), Code-Nummer 8945 600 11501 in das Gerät.
- . Schliesse ein Röhrenvoltmeter an 11.
- . Schalte das Gerät in Stellung "Wiedergabe".
- . Stelle mit Mutter 66A den A/W-Kopf so ein, dass maximale Ausgangsspannung gemessen wird. (Notiere den Wert!)
- . Schliesse alsdann das Röhrenvoltmeter an 12.
- . Messe auch hier die Ausgangsspannung und justiere mit Mutter 66A auf maximalen Wert. (Notiere den Wert!)
- . Stelle den A/W-Kopf auf den Durchschnittswert der beiden notierten Werte ein, so dass die Ausgangsspannung beider Kanäle gleich ist.
- . Alsdann Mutter 66A lacksichern.

Anmerkung:

Die Azimuteinstellung erfordert keinen Ausbau des Laufwerks. Mutter 66A ist nach Entfernen von Staubplatte 151 zugänglich.

Überprüfen der Andruckkraft von Anpressrolle 68 (siehe Abb. 4)

Die erforderliche Kraft zum Abheben der Anpressrolle von der Tonrolle in Wiedergabestellung soll 150...190 b getragen (Federdruckmesser 4822 395 80028). Diese Kraft ist einstellbar, indem man die Torsionsfeder in eine andere Befestigungsöffnung hakt.

Der Abstand zwischen dem Anpressrollenhebel und Nocken A soll in Stellung "Wiedergabe" wenigstens 0,5 mm betragen. Einstellen dieses Abstandes erfolgt durch Biegen von Nocken A.

Kontrolle der Rutschkupplung 108 (siehe Abb. 4)

Die Möglichkeit besteht, dass das Band in der Cassette nicht oder unregelmässig auf den rechten Spulenteller gewickelt wird. Dies kann eine Beschädigung des Bandes verursachen.

Dieser Fehler kann entstehen durch:

a. Nicht richtige Andruckkraft des Antriebrades von Rutschkupplungsbügel 108 gegen den rechten Spulenteller

Diese Kraft soll 70...100 g betragen (Federdruckmesser 4822 395 80028). Die Einstellung hiervon bezieht sich auf die Aufwickelfriction.

Diese wird wie folgt gemessen:

- . Schalte die automatische Endabschaltung ab, indem man den Kollektor und Emittter von TS222 kurzschliesst.
- . Schliesse ein mA-Meter zwischen Punkt 8 von SKS und Knotenpunkt D225/C257 an (G76 auf Verdrahtungsplan).
- . Schalte das Gerät ohne Cassette in Stellung Wiedergabe und stelle die Stromaufnahme fest.
- . Blockiere den rechten Spulenteller und lies die Stromzunahme ab; diese soll 8...16 mA betragen.
- . Beträgt die Stromzunahme weniger als 8 mA, dann ist die Andruckkraft des Antriebrades von Rutschkupplungsbügel 108 gegen den rechten Spulenteller auf mindestens 70 g herabzusetzen (siehe Abb. 4).
- . Beträgt die Stromzunahme mehr als 16 mA, dann ist die Andruckkraft bis maximal 100 g zu erhöhen (siehe Abb. 4).

Die Andruckkraft ist durch Biegen der Drahtfeder 105 einstellbar.

Erhält man auf diese Weise beim Blockieren des rechten Spulentellers keine Stromzunahme von 8...16 mA, dann ist der Fehler wahrscheinlich Ursache von:

b. Zu geringer Aufwickelfriction

In diesem Fall ist Ersetzen des Friktionfilzringes oder nötigenfalls der Feder und des Friktionrads erforderlich (siehe Abb. 9). Bei einer nicht demontierbaren Aufwickelfriction, ist kompletter Ersatz erforderlich (siehe Reparaturhinweise).

c. Zu viel Reibung in der Cassette

Beträgt die Stromzunahme 8...16 mA (siehe Beschreibung unter Punkt a), dann ist das schlechte Aufwickeln des Bandes einer zu grossen Reibung des Bandes in der Cassette zuzuschreiben.

Überprüfen der Anpressfeder 99 (siehe Abb. 5)

Die zum Andrücken der Cassette erforderliche Kraft soll 200...300 g betragen. Messen erfolgt mit Federdruckmesser (4822 395 80028) gemäss Abb. 5.

PRÜFUNGEN UND EINSTELLUNGEN DES ANTRIEBSMECHANISMUS

Kontrolle der Umspultstufe (siehe Abb. 7)

- a. In Stellung "Wiedergabe" soll der Abstand zwischen der Schwungscheibe und Zwischenrad 108 1...2 mm betragen. Nachstellen erfolgt durch Biegen von Fahne E.
- b. In Stellung "Rückspulen" sollen die Abstände A und B mindestens 0,2 mm betragen. Nachstellen erfolgt durch Biegen der Fahne F bzw. der Fahne G.
- c. In Stellung "Aufwickeln" sollen die Abstände C und D wenigstens 0,2 mm betragen. Nachstellen erfolgt durch Biegen der Fahne F bzw. der Fahne G.
- d. In den Stellungen "Wiedergabe", "Aufwickeln" und "Rückspulen" soll der Bremsbügel an die beiden Anschlagfahnen auf der Montageplatte anliegen und muss der Abstand Bandteller-Bremsbügel mindestens 0,3 mm betragen.

Einstellen der Schwungscheibe (siehe Abb. 6)

- . Stelle das Gerät mit der Unterseite nach oben.
- . In dieser Lage soll der Abstand zwischen der Unterseite der Tonrolle und der Lageplatte 0,1...0,3 mm betragen.
- . Nachstellen erfolgt, indem man Bügel 123 mit einem Schraubenzieher verschiebt.
- . Ausserdem soll sich die Seilrille mit der Rille der Friktionkupplung in einer Linie befinden.

Einstellen des Motors

Die Höheneinstellung des Motors muss so sein, dass sich die Motorantriebsscheibe auf einer Linie mit den Antriebsscheiben vom Schwungrad und der Friktionkupplung befindet.

SCHALTEREINSTELLUNGEN

Schalter SKM (siehe Abb. 8)

- . Schalte den Recorder in Ruhestellung (keine Taste gedrückt).
- . Stelle das Schaltergehäuse mit Schraube A so ein, dass der Schleifer gegen das Gehäuse liegt (siehe Pfeil).

WARTUNG

Reinigen mit Alkohol oder Spiritus

- . Löschkopf
- . Aufnahme/Wiedergabekopf
- . Antriebspesen
- . Bandteller
- . Zwischenräder
- . Tonrolle
- . Anpressrolle

Schmierung

- . Shell Alvania 2 (4822 390 20001)
Dient zum Einfetten der Kugelbahnen, z.B. der Kugelbahnen zwischen Montageplatte und Schieber 53.
- . Schmiermittel 10 (4822 390 10003)
Zum Schmieren von Gleitflächen, z.B. der Bügel 505, 107 und 56.
- . Tellus 33 (4822 390 10006)
Zum Schmieren von Achsen und Lagern, z.B. Bandtellerachsen, Zwischenscheibenlagern, Tonrollenlager.
- . Silikonfett (4822 390 20011)
Zum Schmieren von Kunststoff-Einzelteilen, z.B. Schieber 152 und 153, Bügel 157.

ELEKTRISCHE MESSUNGEN UND ABGLEICHVORGÄNGE

Abgleich des Vormagnetisierungsstroms

Beim Abgleich des Vormagnetisierungsstroms muss man nach einem Kompromis zwischen Frequenzbereich und Verzerrung suchen. Ist der Vormagnetisierungsstrom zu gering, entsteht Verzerrung, bei zu grossem Vormagnetisierungsstrom werden die Hochtöne zu viel geschwächt.

- . Schalte das Gerät in Stellung "Aufnahme".
- . Die Spannung an den Messpunkten 13 und 14 soll 40 bzw. 50 mV \sim betragen. Der Wert ist mit den Einstellpotentiometern R318 (R348) einzustellen.

Überprüfen der Löschoszillatorspannung

- . Schalte das Gerät in Stellung "Aufnahme".
- . Die Spannung am Löschkopf soll ≥ 10 V \sim bei einer Frequenz von 59 ± 6 kHz betragen.

Kontrollieren der automatischen Endabschaltung

Bei schlechter Funktion der automatischen Endabschaltung ist zunächst festzustellen, ob der Fehler im elektronischen Teil oder im rotierenden Schalter sein kann. Hierzu misst man die Spannung am Knotenpunkt C259-R365. Beträgt die Spannung 3...4 V, sind der Kollektor und der rotierende Schalter einwandfrei und muss der Fehler im elektronischen Teil sein. Bei abweichendem Wert müssen Kollektor und rotierender Schalter überprüft und ggf. ersetzt werden.

Überprüfen der Bandgeschwindigkeit

Die Bandgeschwindigkeit lässt sich auf zwei Weisen messen:

- a. mit einer Testcassette mit einem nach jeweils 4,76 m aufmodulierten 800-Hz-Signal (Code-Nummer 8945 600 11501)
- b. mit einem Stroboskop

- a. Testcassette
 - . Lege eine Testcassette in das Gerät.
 - . Schalte das Gerät in Stellung "Wiedergabe".
 - . Die Zeit zwischen zwei Signalen soll 98...102 s betragen.

- b. Stroboskop
 - . Entferne mit z.B. einem Messer oder einer Feile eine Seitenwand von der Cassette.
 - . Mache die Ränder gratfrei und ziehe das Band aus der Cassette.
 - . Baue das Gerät aus.
 - . Stelle ein Stroboskop in richtiger Höhe neben dem Gerät.
 - . Führe das Band entlang dem Stroboskop (siehe Abb. 9).
 - . Die Bandgeschwindigkeit soll $4,75 \text{ cm/s} \pm 2\%$ betragen.

Bei zu niedriger Bandgeschwindigkeit, ist zunächst zu überprüfen, ob Anpressrolle, Rutschkupplung, Schwungrad usw. schwergängig sind. Hiernach kann die Geschwindigkeit mit R354 auf der Motorregelplatine abgeglichen werden.

I ISTRUZIONI PER LA RIPARAZIONE

Smontaggio dell'apparecchio (vedi fig. 1)

- Smontare la parte superiore del mobile togliendo le 4 viti B. Tutta la parte superiore può ora essere ribaltata indietro (vedi fig. 1).
- Togliendo le due viti A e spingendo le linguette D (2x) e E (5x) in direzione della freccia, la parte frontale può essere levata dal davanti, vedi fig. 1.
- Smontare la parte registratore dalla parte superiore togliendo le 3 viti C. Non dimenticare di staccare il commutatore Δ f 133 dal pannello di dietro (vedi fig. 1).

Sostituzione del volano 121 e della frizione di avvolgimento 108 (fig. 2)

- Togliere il supporto del volano 123.
- Togliere l'anello di chiusura in nylon 110.
- Togliere la cinghia 92.
- Togliere contemporaneamente il volano e la frizione di avvolgimento.

Osservazioni:

1. Al momento del montaggio fare attenzione che la came della frizione di avvolgimento 108 cada giusto nell'occhiello della molla 105.
2. Dopo il montaggio riaggiustare la posizione supporto-volano e a tale proposito vedere "Regolazioni e controlli meccanici".

Sostituzione del piatto sinistro 83 (vedi fig. 2)

- Togliere la piastra registratore.
- Togliere l'anello di chiusura 11, la cinghia del contagiro 125 la puleggia 106 e l'anello di chiusura 104.
- Togliere il piatto dal suo asse.

Sostituzione dei tasti 58, 59 (vedi fig. 2)

- Smontare l'apparecchio.
- Togliere la molla 63.

Osservazioni:

Quando si deve sostituire il tasto di riproduzione, togliere anche i tasti di registrazione e di riavvolgimento e incurvare la parte della squadra 77 sotto il tasto.

- Togliere il tasto facendolo oscillare.

Sostituzione del collettore 102 (fig. 2)

Il collettore consegnato dal servizio deve essere incollato sulla piastra di montaggio e non ribadito come fanno in fabbrica (adoperare per esempio la colla 4822 390 30014).

REGOLAZIONE DELLA TESTINA DI REGISTRAZIONE RIPRODUZIONE LATO DESTRO

Regolazione della testina di registrazione/riproduzione lato destro (vedi fig. 3)

- Per questa regolazione si utilizza una mascherina speciale (4822 402 60245) (vedere A fig. 3).
- Posto che il capstan sia perfettamente verticale: porre l'apparecchio in posizione riproduzione.
- Far scivolare la mascherina sul capstan spostando il rullo pressore 68. Far scivolare la mascherina sul capstan fino a quando si trova nel prolungamento del guida-nastro delle testine registrazione/riproduzione e cancellazione.
- Quando la testina registrazione/riproduzione è regolata all'altezza coretta, la mascherina potrà esattamente inserirsi fra le guida-nastro delle sudette testine: Se non fosse così regolare la testina tramite la vite 66B.

Regolazione dell'azimut (lato sinistro)

- Mettere una test-cassette nell'apparecchio (6300 Hz no. 8945 600 11501).
- Collegare un voltmetro elettronico su di Ⓜ .
- Porre l'apparecchio in posizione riproduzione e regolare per la massima uscita dei due canali con la vite 66A (annotare il valore).
- Collegare un voltmetro elettronico a Ⓜ .
- Misurare la tensione di uscita e regolarla per massima con la vite 66A (annotare il valore).
- Regolare la testina registrazione/riproduzione sulla media dei valori in modo che la tensione di uscita ai due canali sia identica, quindi bloccare la vite alla lacca.

Osservazione:

Per la regolazione dell'azimut non è necessario smontare l'apparecchio. Il foro 66A permette di effettuare tale regolazione togliendo soltanto la mascherina 151.

Controllo della forza del rullo pressore 68 (vedere fig. 4)

La forza necessaria nella posizione riproduzione per staccare il rullo pressore dal capstan, deve essere compresa fra 150 + 190 gr (dinamometro 4822 395 80028). Questa forza è regolabile mettendo la molla di torsione in un foro più distante come indicato in fig. 5. In riproduzione la distanza tra la leva del rullo pressore e la came A si deve staccare di 0,5 mm almeno. Si può regolare detta distanza curvando la came A.

Verifica della frizione di avvolgimento 108 (fig. 4)

Può capitare che il nastro non si avvolge o si avvolge male sul piattello di destra.

Il nastro potrebbe essere così danneggiato e la causa può essere:

a. La forza di pressione della squadra con puleggia di frizione di avvolgimento 108, contro il piatto porta bobina di destra è insufficiente

Questa forza deve essere compresa fra 70 e 100 gr (dinamometro 4822 395 80028). La regolazione di questa forza dipende dalla frizione di avvolgimento e si misura nel modo seguente:

- Scollegare il circuito di fine corsa automatico, cortocircuitando il collettore e l'emettitore di TS222.
- Collegare un milliamperometro tra il punto 8 di SKS e il nodo D223/R257 (G76 nello schema di cablaggio).
- Posizionare l'apparecchio, senza cassetta, su riproduzione e anotare la corrente di registrazione.
- Bloccare il piatto di destra e leggere l'aumento di corrente. Questo valore deve essere compreso fra 8 e 16 mA.
- Se l'aumento di corrente è inferiore a 8 mA, la forza di pressione della puleggia sulla squadra della frizione d'avvolgimento del piatto di destra, deve essere ridotta a 70 gr, max. (ved fig. 4).
- Se l'aumento è superiore a 16 mA, la forza di pressione deve essere elevata a 100 gr (ved fig. 4). La forza di pressione è regolabile curvando leggermente la molla a filo 105. Se in questo modo non si ha nessun aumento di corrente da 8 a 16 mA quando si blocca il piatto della bobina di destra, il difetto deve essere ricercato in:

b. Una frizione di avvolgimento insufficiente

Si raccomanda di sostituire l'anello di frizione, e se occorre, la molla della ruota di frizione (ved fig. 10). Se il tipo di frizione non è smontabile, la si sostituirà (vedere istruzioni per la riparazione).

c. Troppo attrito nella cassetta

Se l'aumento di corrente che è percepibile come descritto al punto A è compreso tra 8 e 16 mA, il motivo dello scarso funzionamento del nastro dipende soltanto dalla cassetta.

Controllo della molla di pressione 88 (vedi fig. 5)

- La forza di pressione sulla cassetta deve essere compresa fra 200 e 300 gr. Misurare questa forza con un dinamometro (vedi fig. 5).

CONTROLLO E REGOLAZIONE DEL MECCANISMO DI TRASCINAMENTO

Controllo del meccanismo di avvolgimento (vedere fig. 7)

- a. In posizione riproduzione la distanza tra il volano e la ruota folle 108 deve essere di 1-2 mm; regolare curvando la squadra E.
- b. In posizione riavvolgimento le distanze A e B devono essere di 0,2 mm minimo. Regolare curvando le flangette F e G.
- c. In posizione avvolgimento le distanze C e D devono essere di 0,2 mm minimo. Regolare curvando le flangette F e G.
- d. Nelle posizioni: riproduzione, avvolgimento e riavvolgimento la leva di freno deve toccare i due arresti, sulla piastra di montaggio e la distanza tra il piatto della bobina e la squadra di freno deve essere di 0,3 mm minimo.

Regolazione del volano (vedere fig. 6)

Capovolgere l'apparecchio e togliere il fondo; in questa posizione la distanza fra il perno del volano e la squadretta di supporto deve essere di 0,1-0,3 mm. Regolare spostando il supporto con un cacciavite dopo aver allentato le viti di fissaggio. Il taglio della cinghia deve allinearsi con l'accoppiamento a frizione.

Regolazione motore

Regolare l'altezza del motore in modo che la puleggia si allinei con la cinghia, col volano e con l'accoppiamento a frizione.

REGOLAZIONE DEI COMMUTATORI

Commutatore SKM (vedere fig. 8)

- . Porre il caricatore in posizione di riposo (nessun tasto deve essere premuto).
- . Regolare con la vite A la cassetta del commutatore in modo che il cursore sia contro la cassetta (vedere freccia).

MANUTENZIONE

Pulire con alcool

- . Testina di cancellazione
- . Testina registrazione/riproduzione
- . Cinghia
- . Piatti portabobine
- . Ruote folli
- . Capstan
- . Rullo pressore

Istruzioni per la lubrificazione

- . Shell Alvania 2 (4822 390 20001)
Si usa per lubrificare i cuscinetti, ad esempio quelli tra la squadra pos. 53 e la piastra di montaggio.
- . Lubrificante 10 (4822 390 10003)
Si usa per lubrificare le superfici di contatto, ad esempio per la squadra pos. 505 e 107.
- . Tellus 33 (4822 390 10006)
Si usa per lubrificare gli assi e i cuscinetti, ad esempio gli assi dei piatti delle bobine, della ruota folle e del capstan.
- . Grasso al Silicone (4822 390 20011)
Utilizzato per lubrificare i pezzi in materia sintetica, ad esempio: cursori 152 e 153, squadra 157.

REGOLAZIONI ELETTRICHE

Regolazione della corrente di premagnetizzazione

Per questa regolazione si deve creare un compromesso tra la curva di risposta e la distorsione.
Se questa corrente è troppo alta si avrà una distorsione dei toni alti.

- . Porre l'apparecchio in posizione registrazione.
- . Le tensioni ai punti di misura 13 e 14, devono essere rispettivamente di 40 mV \sim e 50 mV \sim . Questo valore è regolabile per mezzo dei potenziometri R439 e R440.

Controllo della tensione dell'oscillatore di cancellazione

- . Porre l'apparecchio in posizione registrazione.
- . La tensione sulla testina di cancellazione deve elevarsi fino a ≥ 10 V \sim minimo quando la frequenza è di 59 ± 6 kHz.

Controllo del circuito d'arresto automatico

Se questo circuito non funziona bene controllare innanzitutto a che cosa è dovuto il difetto e cioè se alla parte elettronica o al commutatore rotativo.
Questo controllo si effettua misurando la tensione al nodo C259, R365.
Una tensione di 3-4 V deve essere presente. Il difetto è allora presente nella parte elettronica, se vi è questa tensione. Quando il valore della tensione fosse diverso, il collettore e il commutatore rotativo devono essere controllati e se necessario sostituiti.

Controllo della velocità di scorrimento del nastro

Si può controllare in due modi:

- per mezzo di una cassetta di prova sulla quale si ha inciso un segnale di 800 Hz ogni 4,76 m-numero di codice 8945 600 11501.
- per mezzo di uno stroboscopio.
 - Cassetta di prova
 - . Mettere una di queste cassette nell'apparecchio.
 - . Mettere l'apparecchio in posizione riproduzione.
 - . Il tempo che trascorre tra due segnali deve essere compreso fra 98 e 102".

b. Stroboscopio

- . Togliere il lato di una cassette e far uscire il nastro (vedi fig. 9).
- . Smontare l'apparecchio.
- . Porre uno stroboscopio a lato dell'apparecchio e farvi passare sopra il nastro.
- . La velocità è troppo bassa, controllare il rullo pressore, la frizione di avvolgimento, il volano ecc. che non girino con difficoltà.
La velocità si può regolare tramite R354 sul circuito per la regolazione del motore.

LIST OF MECHANICAL PARTS (RECORDER), Fig. 2

Item	Code number	Item	Code number	Item	Code number	
1	M2x6	4822 502 10679	59	4822 411 50261	92	4822 358 30152
2	2.2 mm ϕ	4822 532 10331	63	4822 492 50676	93	4822 492 30778
3	2.3 mm ϕ	4822 530 70043	64	4822 492 61314	93a	4822 403 50591
4	3.2 mm ϕ	4822 532 10332	65	4822 520 40005	94	4822 492 40438
5	M2.5x5	4822 502 10951	65a	4822 402 60321	96	4822 403 10118
6	2 mm ϕ	4822 530 70114	66	4822 520 30226	97	4822 462 70107
7	1.5 mm ϕ	4822 530 70121	67	4822 532 50268	98	SK-R 4822 528 10225
8	M3x8	4822 502 11053	68	4822 403 40039	99	4822 492 61534
9	4 mm ϕ	4822 530 70124	69	KI/KI01 4822 249 10059	100	4822 532 50648
10	3 mm ϕ	4822 530 70115	70	4822 532 50043	101	4822 535 90062
11	1.5 mm ϕ	4822 530 70174	71	4822 532 10544	102	SK-R 4822 310 20218
12	2.8 mm ϕ	4822 530 80081	72	4822 492 50273	103	4822 520 30225
13	M3x5	4822 502 10558	73	4822 492 50808	104	4822 532 50265
14	M2x10	4822 502 11061	74	4822 492 30653	105	4822 492 60345
15	M2.5x8	4822 502 10909	75	4822 403 50009	106	4822 528 90173
16	2.5 mm ϕ	4822 532 10215	76	4822 403 50431	107	4822 403 50576
17	1.9 mm ϕ	4822 530 70122	77	4822 403 50587	108	4822 528 20162
18	4 mm ϕ	4822 530 70116	78	4822 403 60322	109	4822 492 60912
19	M2.5x5	4822 535 80461	79	4822 492 40416	110	4822 532 50265
20	3 mm ϕ	4822 530 70123	80	4822 492 40117	111	4822 403 20083
21	M2.5x3	4822 502 10889	81	4822 532 50268	112	4822 403 30089
22	2 mm ϕ	4822 530 70114	82	4822 528 80409	116	4822 278 90223
23	3.2 mm ϕ	4822 530 80082	83	4822 528 10227	119	4822 532 50043
24	M2.5x4	4822 502 10812	84	4822 492 30655	120	4822 358 30077
51	K2	4822 249 40046	85	4822 500 10137	121	4822 528 10228
52		4822 492 30655	86	4822 492 30777	122	4822 520 10219
53		4822 403 50584	87	4822 520 40005	123	4822 520 10297
54		4822 492 30654	88	4822 492 40374	124	4822 349 50048
55		4822 492 30251	89	4822 492 60344	125	4822 358 30148
56		4822 403 10115	90	4822 532 50265	126	Motor 4822 361 20063
57		4822 492 30836	91	4822 528 90081	128	4822 403 50491
58		4822 411 50259	91a	SK-N 4822 278 90008	129	SK-M 4822 276 10376

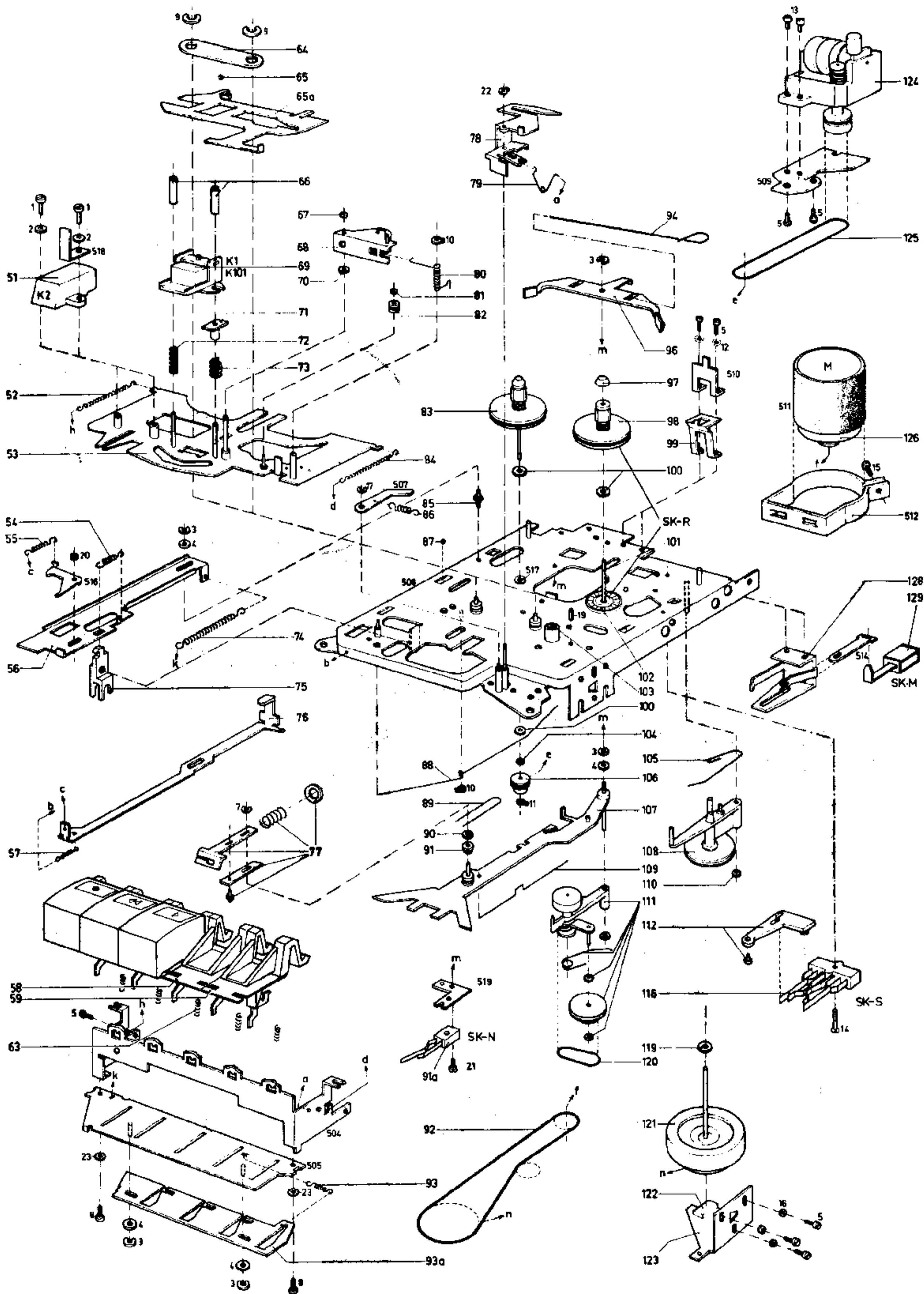


Fig. 2

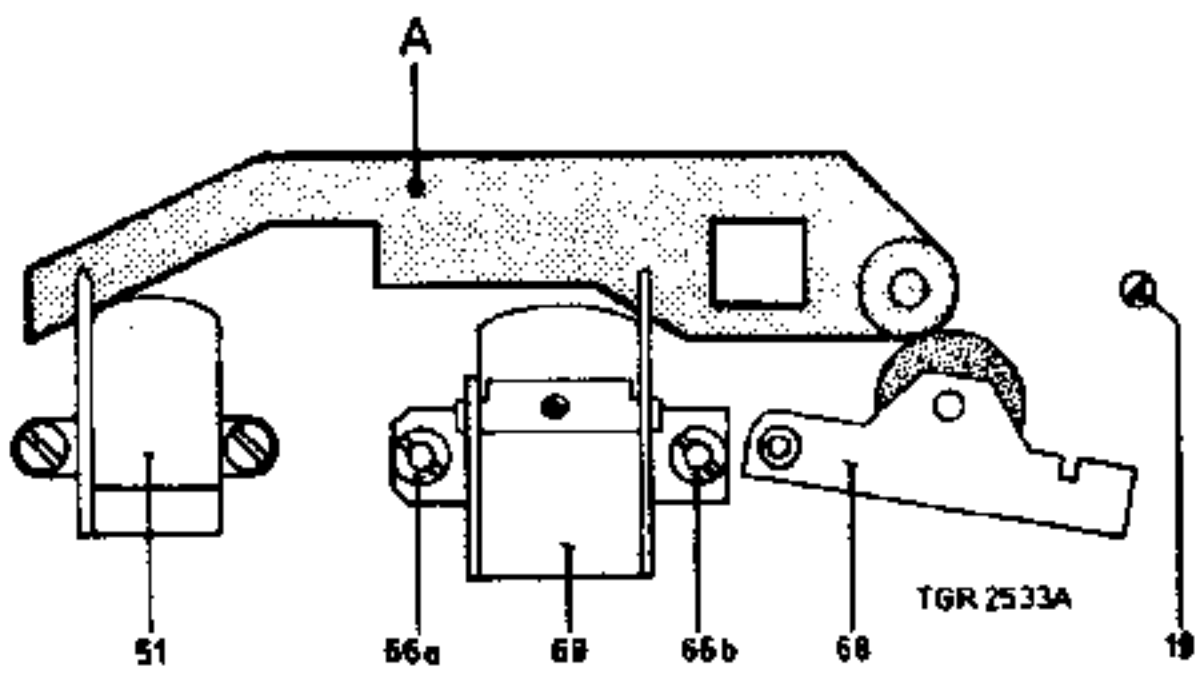


Fig. 3

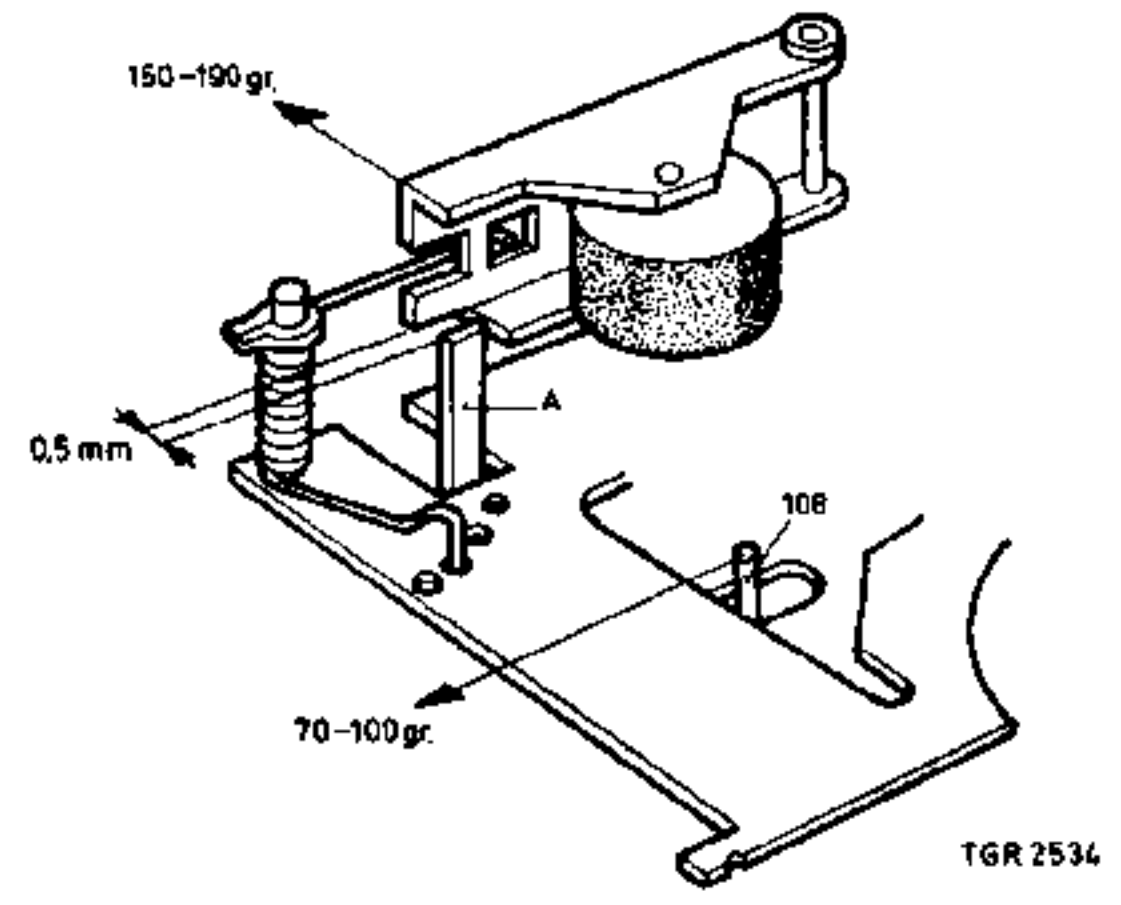


Fig. 4

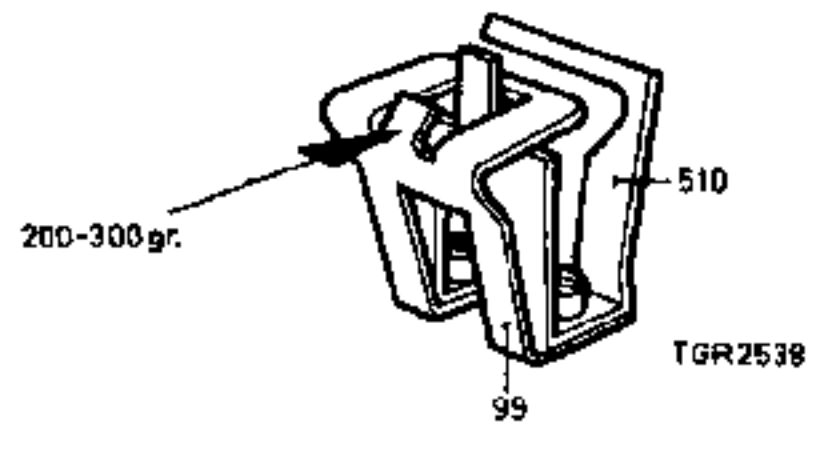


Fig. 5

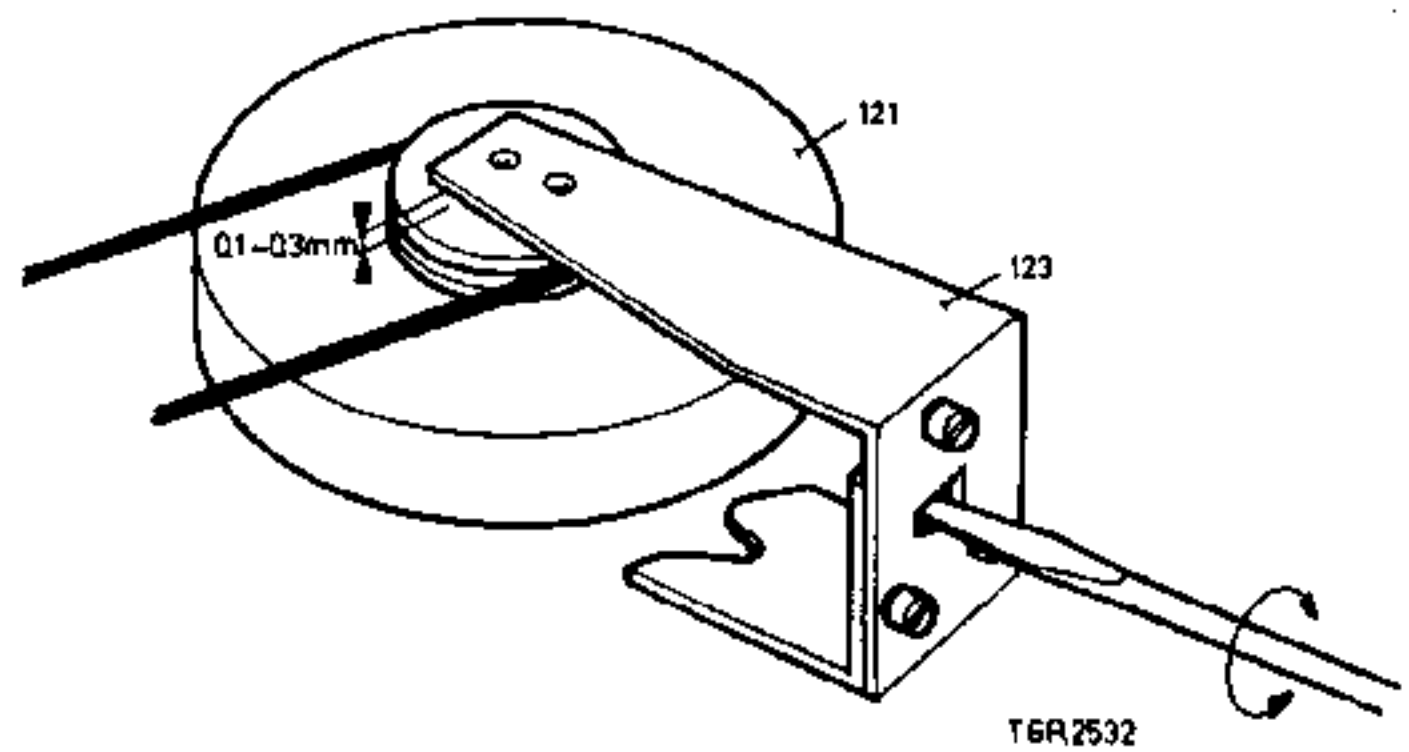


Fig. 6

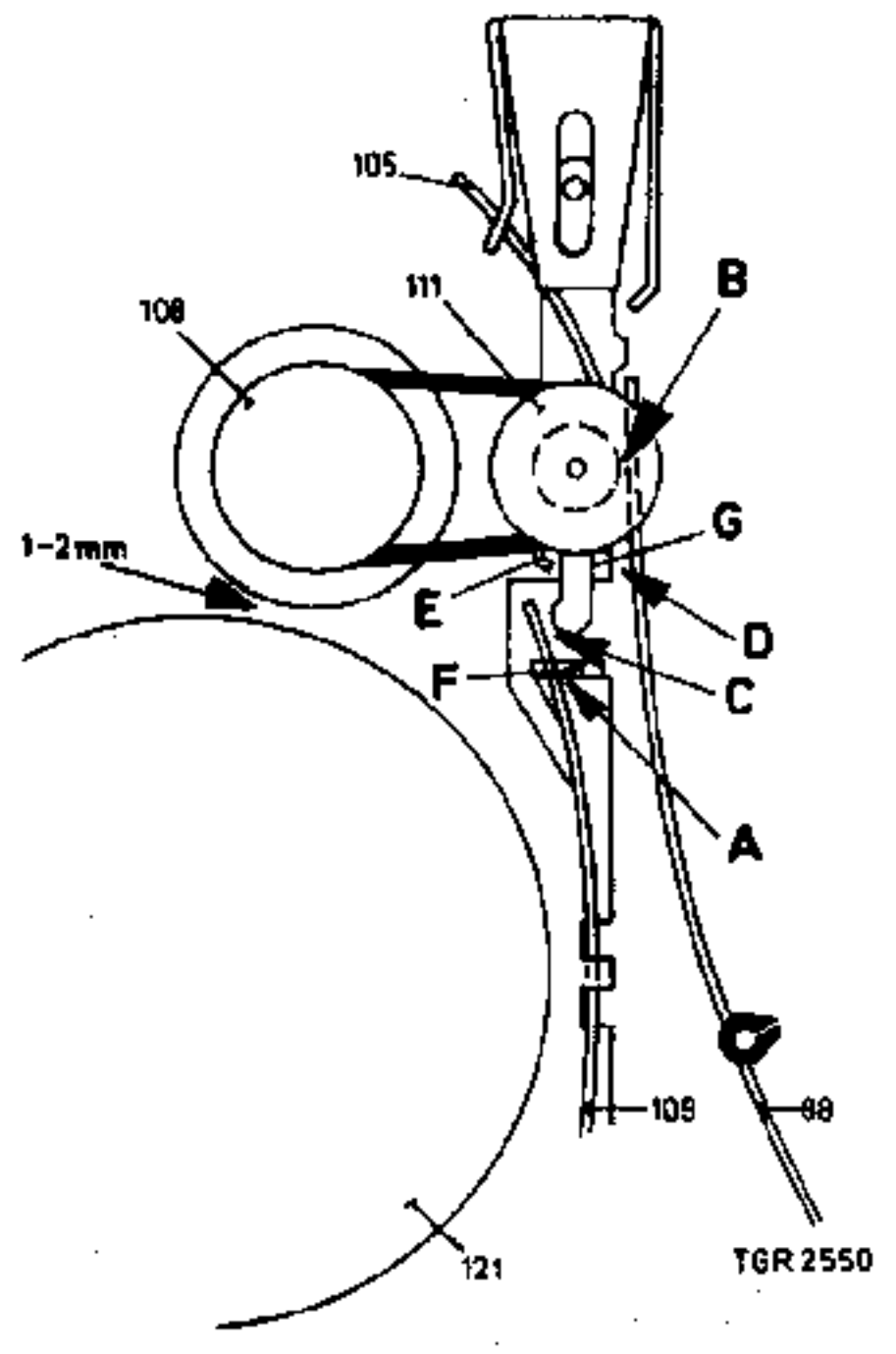


Fig. 7

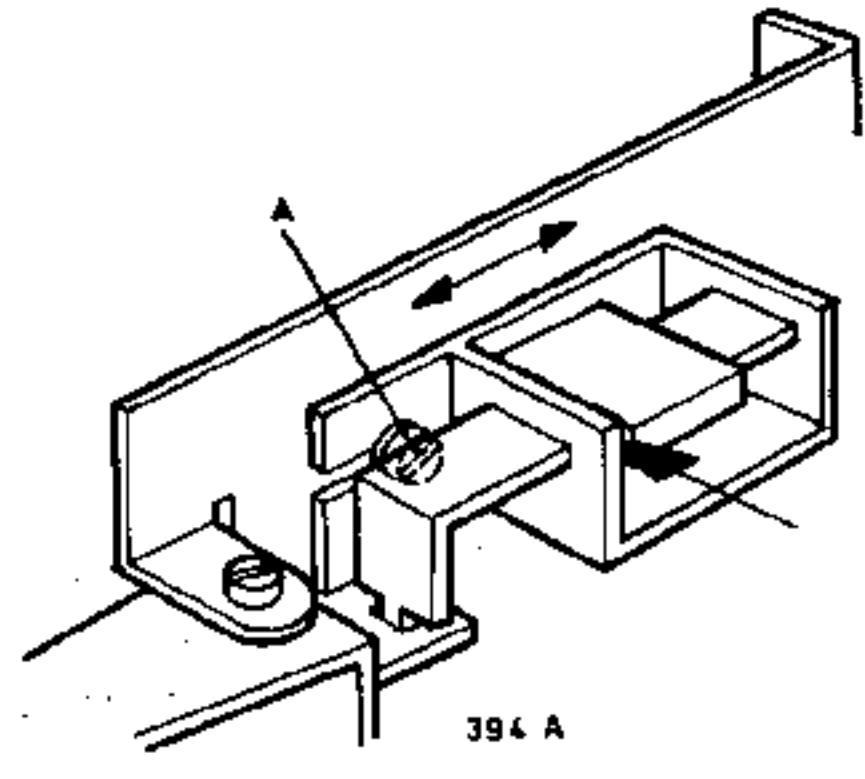


Fig. 8

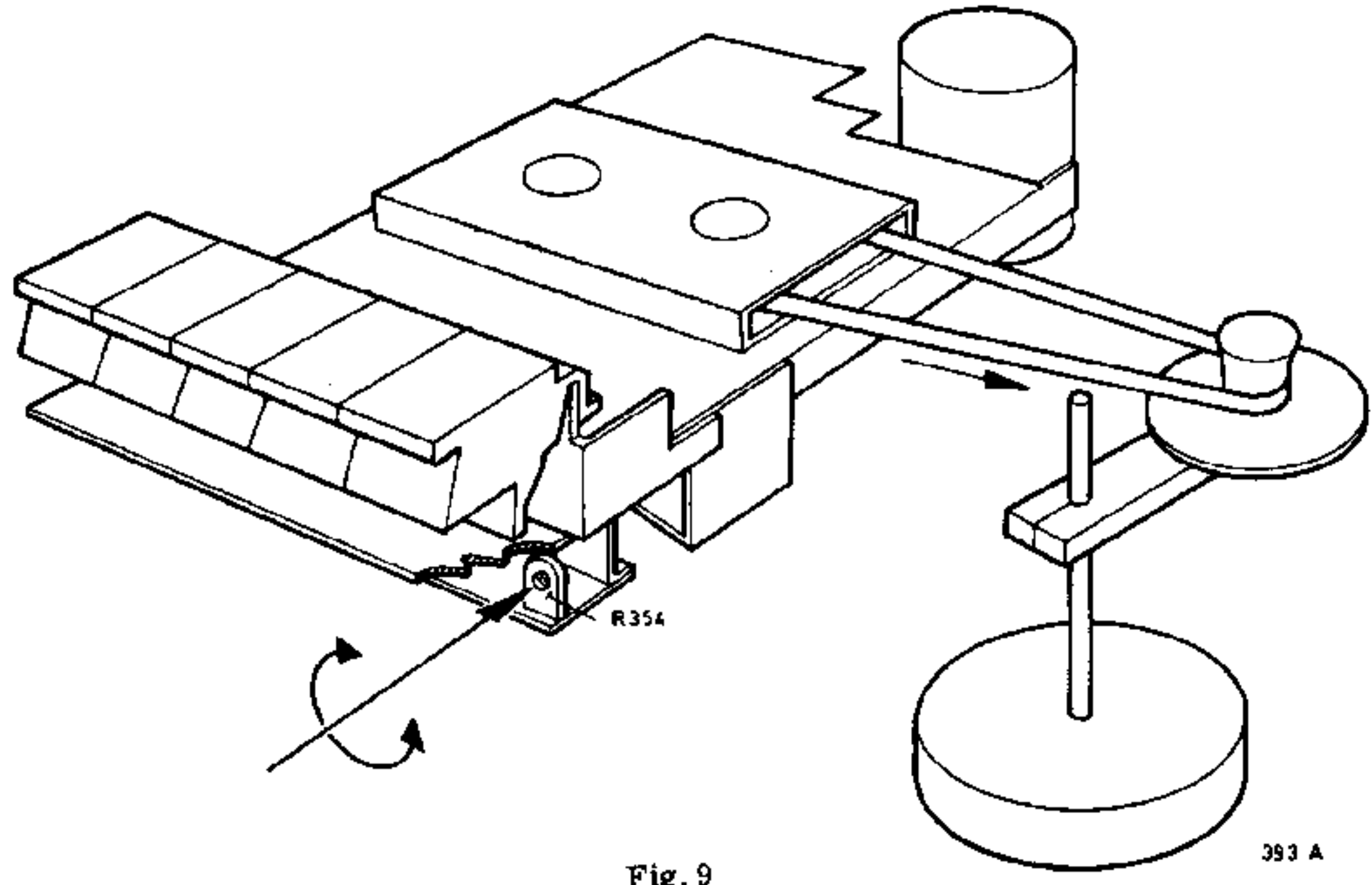


Fig. 9

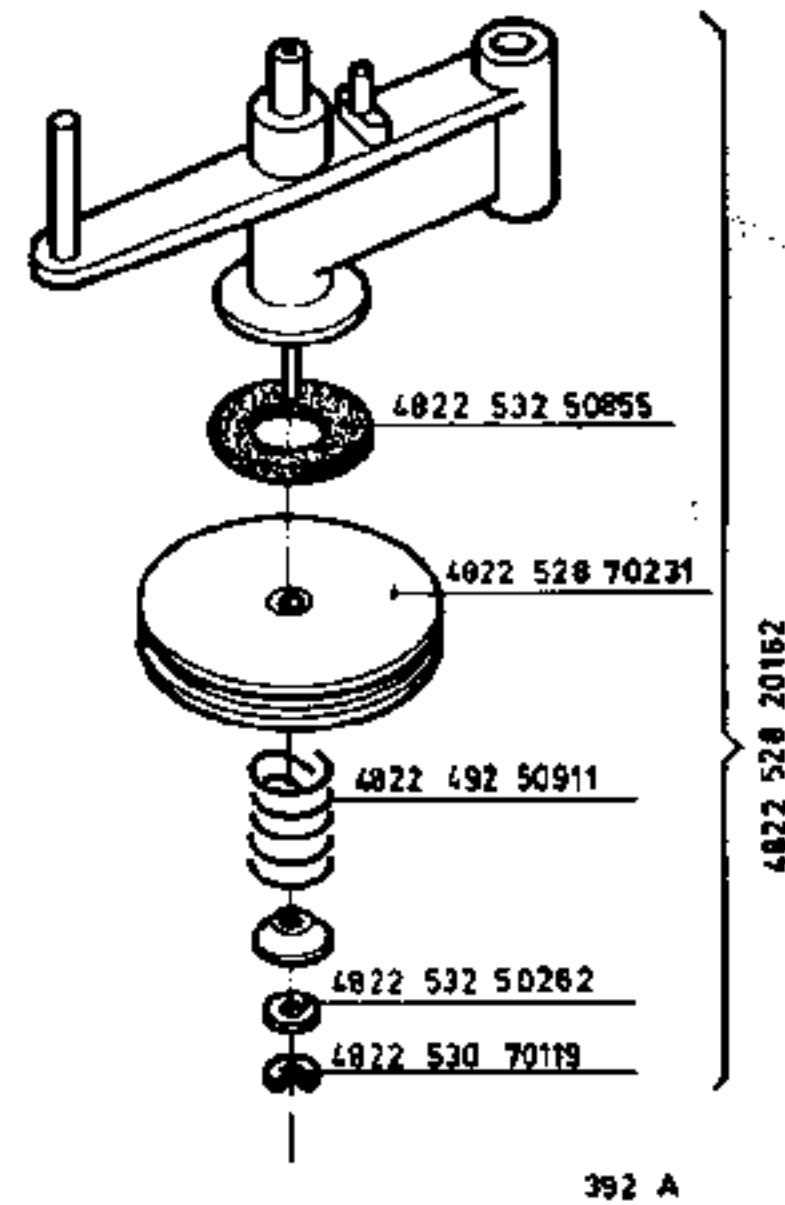


Fig. 10

4822 528 20162

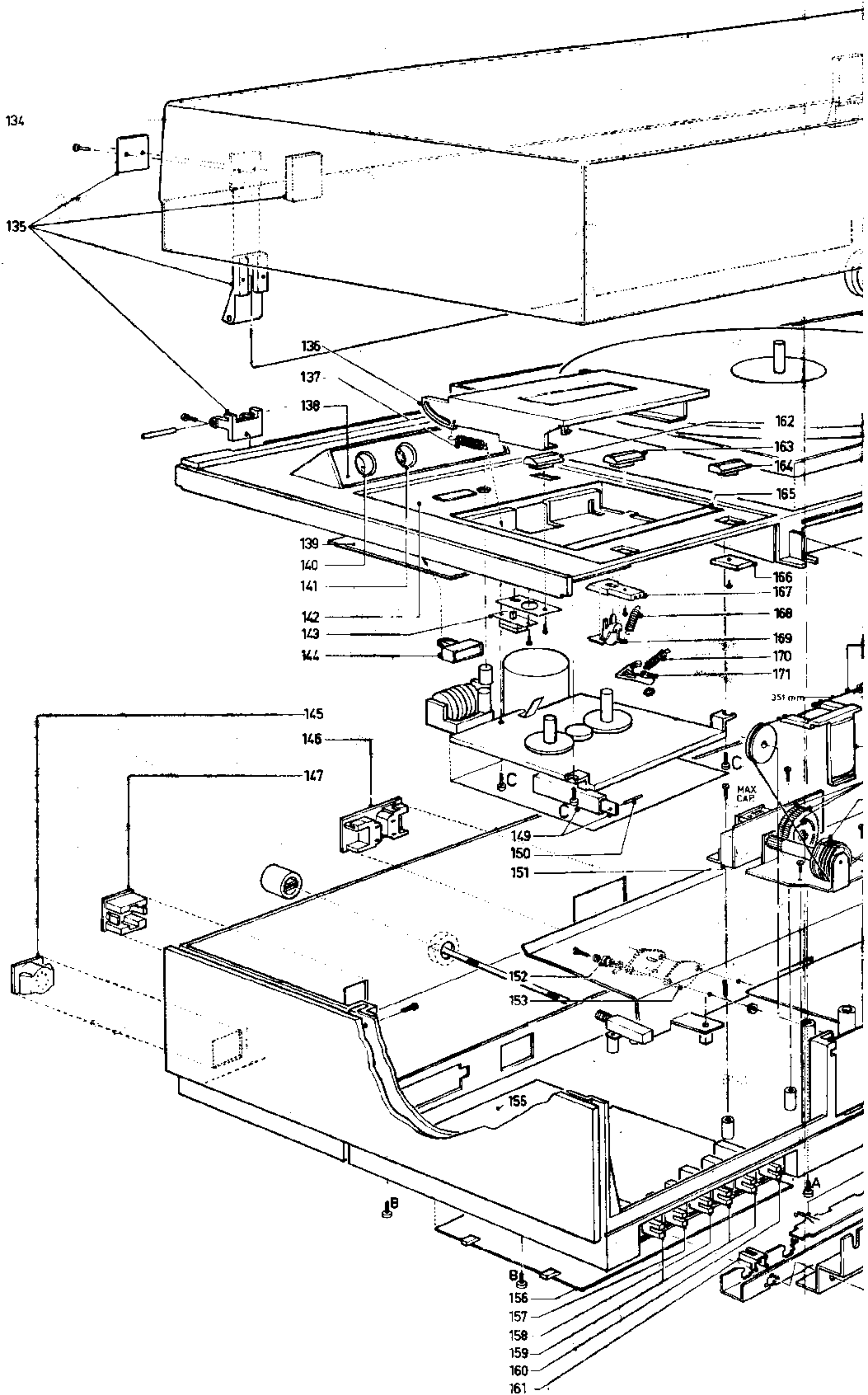
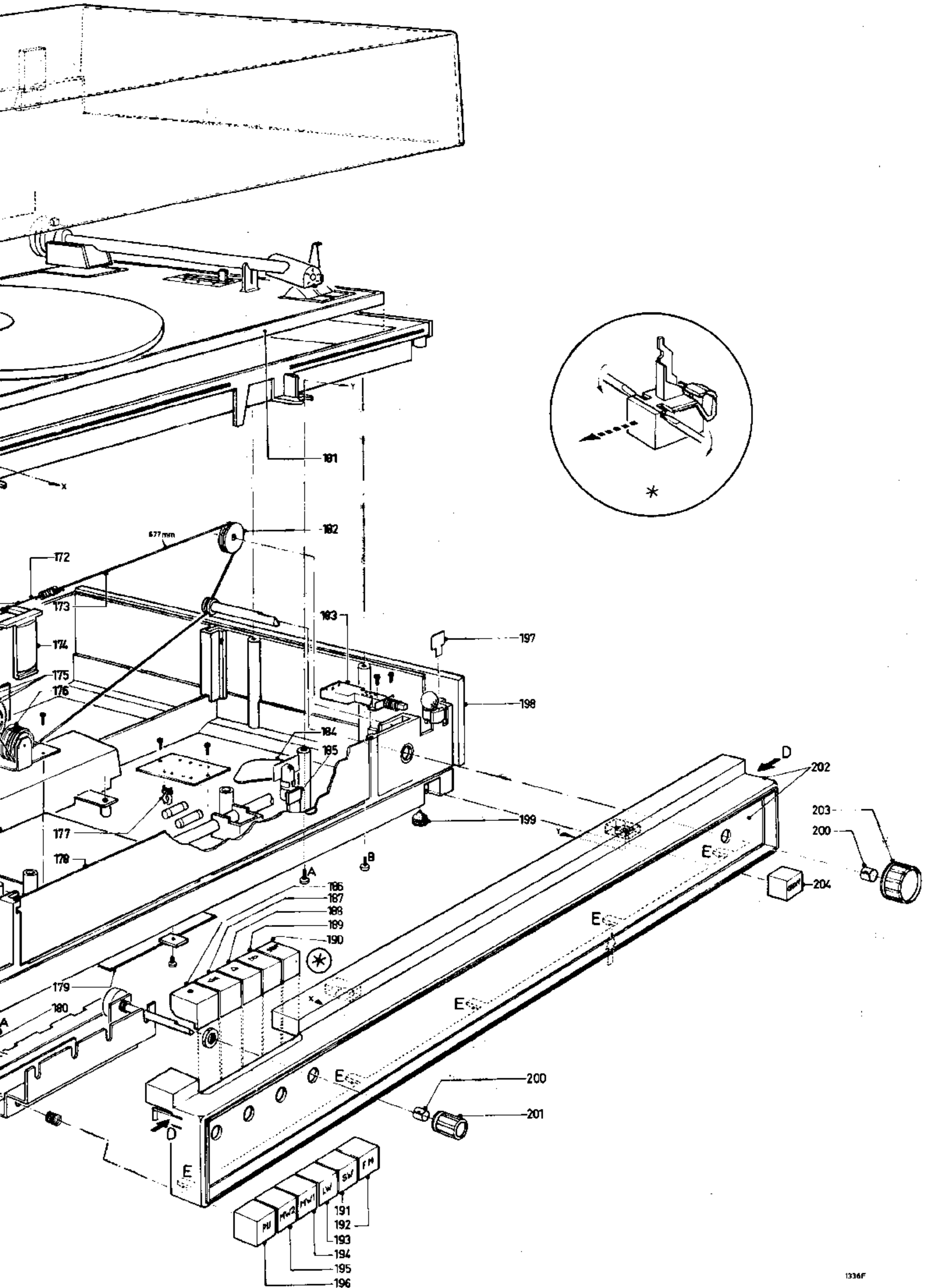
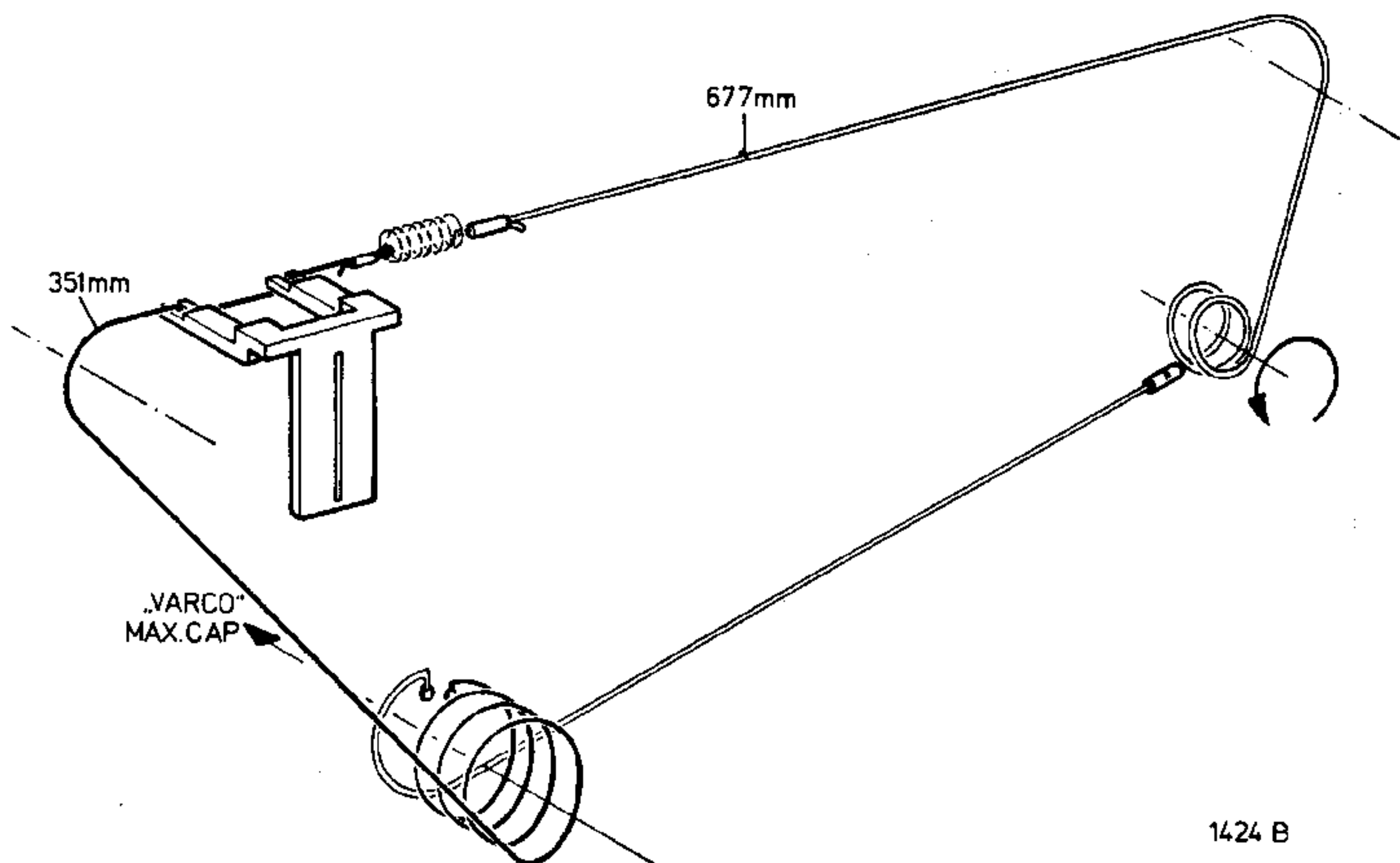


Fig. 1



LIST OF MECHANICAL PARTS, Fig.1

Item		Code number	Item	Code number
134		4822 426 60046	173	4822 528 30101
135		4822 417 10514	174	4822 450 80369
136		4822 423 90046	175	4822 522 31129
137		4822 492 30652	176	4822 528 30151
138		4822 256 90131	177	4822 492 60063
139	DNL	4822 214 50113	178	4822 333 50391
140		4822 267 40121	178 (-/22)	4822 333 50401
141		4822 267 40155	178 (-/15)	4822 333 50425
142		4822 459 50144	179	4822 426 60027
143	SK-0	4822 277 20091	180	4822 492 61741
144	SK-P	4822 277 20137	181	See service notes of 22GC005/33
145		4822 267 40163	182	4822 528 80155
146		4822 267 20123	183	4822 276 10481
147		4822 267 40129	184	4822 272 10079
149		4822 277 30553	185	4822 255 10007
150		4822 535 90135	186	4822 410 21141
151	FM tuner + C401	4822 210 10162	187	4822 410 21144
151 (-/15)		4822 210 10169	188	4822 410 21143
152		4822 532 50695	189	4822 410 21145
153		4822 255 40069	190	4822 410 21142
155	Stereo decoder	4822 214 50103	191	4822 410 21152
156		4822 426 60027	191 (-/22)	4822 410 21225
157	SK-B	4822 277 30539	192	4822 410 21148
158	SK-C	4822 277 30536	192 (-/22)	4822 410 21223
159	SK-A, D, E	4822 277 30537	193	4822 410 21151
160	SK-F	4822 277 30535	194	4822 410 21149
161		4822 404 10152	195	4822 410 21147
162		4822 411 60249	196	4822 410 21146
163		4822 411 60247	196 (-/22)	4822 410 21224
164		4822 411 60248	197	4822 381 10358
165		4822 460 10311	198	4822 426 30028
166		4822 466 90676	199	4822 462 40227
167		4822 403 50609	200	4822 532 10284
168		4822 492 30649	201	4822 413 30522
169		4822 403 50494	202	4822 459 40268
170		4822 492 30651	203	4822 413 40528
171		4822 403 50485	204	4822 410 21153
172		4822 321 30042		



Service mededeling

PHILIPS NEDERLAND B.V. - EINDHOVEN
TECHNISCHE SERVICE

Ref. R248

Type 22RH813

Datum mei 1973

RADIO

FM-tuners met een bereik tot 108 MHz zijn vervangen door de 104 MHz-uitvoering. In verband hiermee zijn ook de schalen gewijzigd.

Onderstaande tabel geeft voor de diverse apparaten een overzicht van de nieuwe situatie:

Type nummer	FM-tuner	Schaal	Stempeling
22RH701/15/35/65	4822 210 10162	4822 333 50372	FK04
22RH811/15/75/85	4822 210 10162	4822 333 50391	FK05
	4822 210 10162	4822 333 50391	FK03
22RH813/15	4822 210 10162	4822 333 50391	PL01
22RH814/15/35/65	4822 210 10162	4822 333 50391	FK03



PHILIPS